



# Thomas Parts Manual

**T-153 T-135**

**"S" Series**



**Skid Steer Loaders  
LN000101-LN001999  
LE008500-LE008749**

## THOMAS EQUIPMENT LIABILITY WARRANTY

**THE WARRANTY IS THE ONLY OBLIGATION OF THOMAS OR A THOMAS DEALER TO THE PURCHASER OR ANYONE ELSE CONCERNING A PRODUCT, ITS SERVICE, ITS USE OR PERFORMANCE OR ITS LOSS OF USE OR FAILURE TO PERFORM. NEITHER THOMAS NOR A THOMAS DEALER HAVE MADE AND NEITHER WILL MAKE ANY OTHER EXPRESSED OR IMPLIED REPRESENTATION, WARRANTY OR AGREEMENT CONCERNING A PRODUCT. NEITHER THOMAS NOR A THOMAS DEALER HAVE MADE OR WILL MAKE ANY REPRESENTATION, WARRANTY OR AGREEMENT CONCERNING A PRODUCTS MERCHANTABILITY OR OTHER QUALITY, ITS SUITABILITY FOR PURCHASER'S PURPOSE (EVEN IF A PURCHASER HAS INFORMED THOMAS OR A THOMAS DEALER OF THAT PURPOSE), ITS DURABILITY, PERFORMANCE OR OTHER CONDITION.**

**EVEN IF THOMAS OR A THOMAS DEALER WAS ADVISED OF THE POSSIBILITY OF SUCH LOSS, NEITHER THOMAS NOR A THOMAS DEALER WILL BE LIABLE TO PURCHASER OR ANYONE ELSE FOR ANY INDIRECT, INCIDENTAL CONSEQUENTIAL, PUNITIVE, ECONOMIC, COMMERCIAL, OR SPECIAL LOSS WHICH IS IN ANY WAY ASSOCIATED WITH A PRODUCT. THIS INCLUDES ANY LOSS OF USE OR NON-PERFORMANCE OF A PRODUCT, ANY REPLACEMENT RENTAL OR ACQUISITION COST, ANY LOSS OF REVENUE OR PROFITS, ANY FAILURE TO REALIZE EXPECTED SAVINGS, ANY INTEREST COSTS, ANY IMPAIRMENT OF OTHER GOODS, ANY INCONVENIENCE OR ANY LIABILITY OF PURCHASER TO ANY OTHER PERSON.**

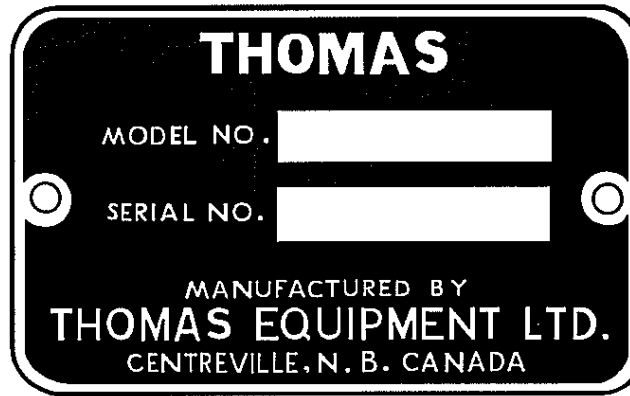
**PURCHASER MAY NOT ATTEMPT TO ENLARGE ITS RIGHTS UNDER THE WARRANTY BY MAKING A CLAIM FOR INDEMNITY, FOR BREACH OF CONTRACT, FOR BREACH OF COLLATERAL WARRANTY, FOR A TORT (INCLUDING NEGLIGENCE, MISREPRESENTATION OR STRICT LIABILITY) OR BY CLAIMING ANY OTHER CAUSE OF ACTION.**

**THE WARRANTY IS A CONDITION OF SALE OF THE PRODUCT TO PURCHASER AND WILL THEREFORE APPLY EVEN IF PURCHASER ALLEGES THAT THERE IS A TOTAL FAILURE OF THE PRODUCT.**

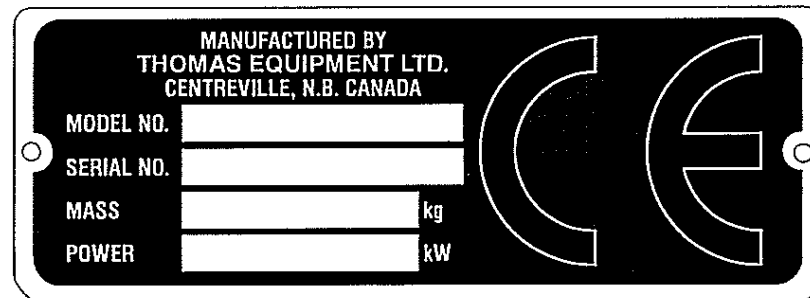
*N.B. Read and practice your Thomas operating and servicing instructions. Failure to do this may void your warranty.*

*Publication Number 43585 - 3*

**October 2000**

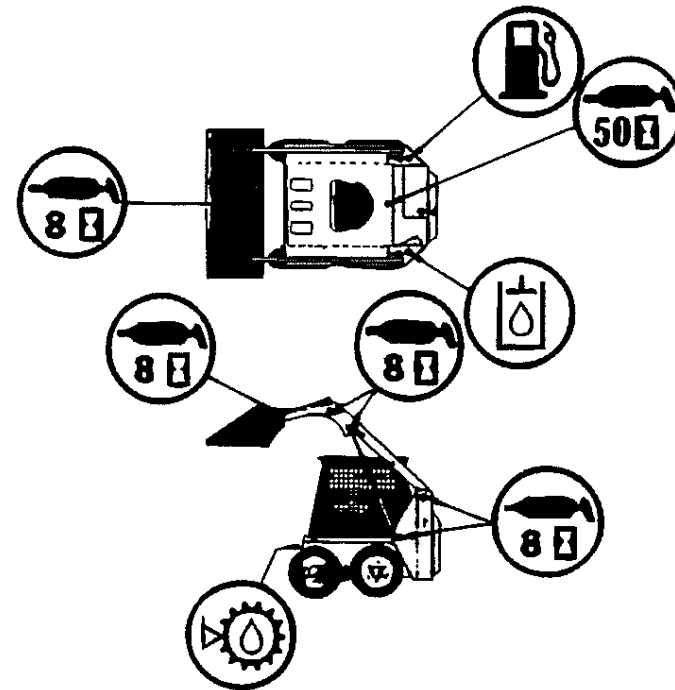


It is important when ordering replacement parts or making a service inquiry to provide both the model number and serial number of your Thomas loader. The serial number plate is located at the rear of the machine on the left hand side. In the event that the serial number plate is missing, the model number and serial number are both stamped into the main frame inside the rear door.

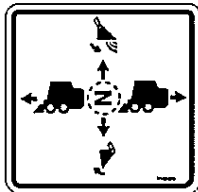
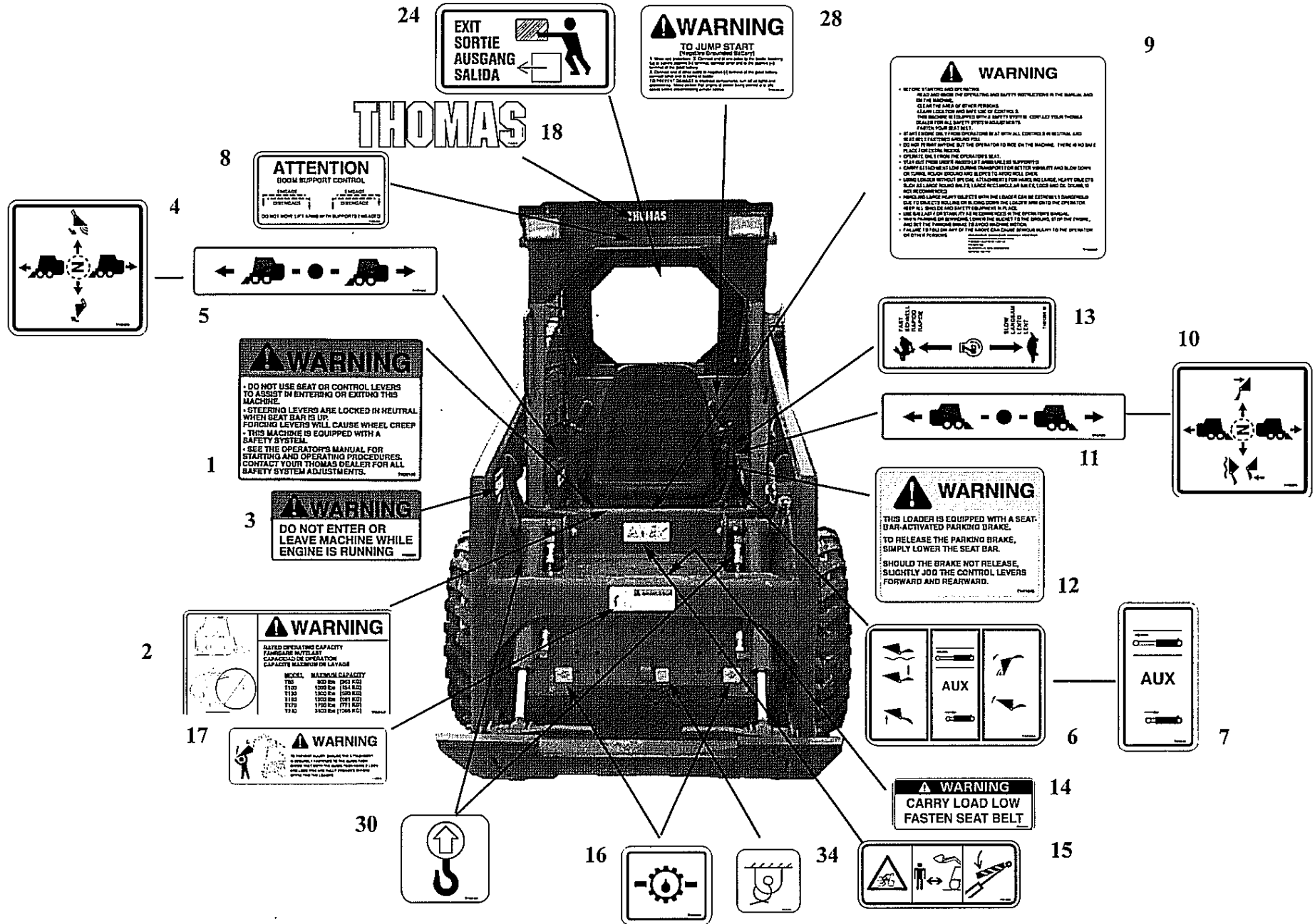


# Lubrication & Filter Chart

Pos	Part	Description
1.	20901	Silicone Tube
2.	10683	Gasket Adhesive and Sealant
3.	4557	Multi Purpose Grease
4.	35062	Lubricate Lithium Grease
5.	35845	480 Loctite
6.	42904	454 Loctite
7.	35395	419 Loctite (Superbonder)
8.	10837	Neversieze
9.	34288	PST 567, Hydraulic Pipe Thread Sealant
10.	6470	10W30 API SE/CD (1 litre)
11.	22935	20W50 API SE/CD (1 litre)
12.	32665	Chain Tightener Sealant
13.	11495	Oil Filter, Engine
14.	42561	Fuel Filter, Engine
15.	35243	Hydraulic Filter



# T135S / T153S DECAL CHART



**WARNING**

- DO NOT USE SEAT OR CONTROL LEVERS TO ASSIST IN ENTERING OR EXITING THIS MACHINE.
- STEERING LEVERS ARE LOCKED IN NEUTRAL WHEN SEAT BAR IS UP. FORCING LEVERS WILL CAUSE WHEEL CREEP.
- THIS MACHINE IS EQUIPPED WITH A SAFETY SYSTEM.
- SEE THE OPERATOR'S MANUAL FOR STARTING AND OPERATING PROCEDURES. CONTACT YOUR THOMAS DEALER FOR ALL SAFETY SYSTEM ADJUSTMENTS.

**WARNING**

DO NOT ENTER OR LEAVE MACHINE WHILE ENGINE IS RUNNING

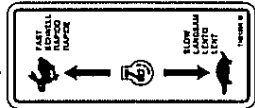
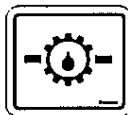
**WARNING**

RATED OPERATING CAPACITY  
FAIRWEAR MUST NOT  
EXCEED OPERATOR  
CAPACITY MAXIMUM ON LAYERS

MODEL	MAXIMUM CAPACITY
T135	800 lbs (363 kg)
T153	1000 lbs (454 kg)
T160	1300 lbs (590 kg)
T170	1700 lbs (772 kg)
T180	2000 lbs (907 kg)
T190	2500 lbs (1134 kg)

**WARNING**

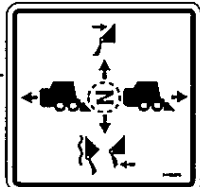
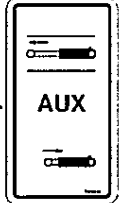
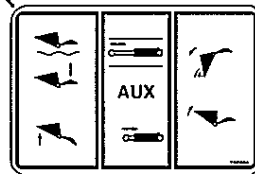
Do not lift loads beyond the 3-point hitch capacity. Exceeding this capacity may result in the operator being injured or the machine being damaged.



**WARNING**

THIS LOADER IS EQUIPPED WITH A SEAT-BAR-ACTIVATED PARKING BRAKE. TO RELEASE THE PARKING BRAKE, SIMPLY LOWER THE SEAT BAR.

SHOULD THE BRAKE NOT RELEASE, SLIGHTLY JOG THE CONTROL LEVERS FORWARD AND REARWARD.



**EXIT**  
**SORTIE**  
**AUSGANG**  
**SALIDA**

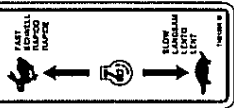
**WARNING**

TO JUMP START  
(See the Operator's Manual)

1. Make sure the battery is fully charged and the engine is running.  
2. Connect one end of the jumper cables to the positive (+) terminal of the good battery.  
3. Connect the other end of the jumper cables to the positive (+) terminal of the dead battery.  
4. Start the engine of the good battery.  
5. After the engine of the dead battery starts, disconnect the jumper cables and allow both engines to run for a few minutes before driving.

**WARNING**

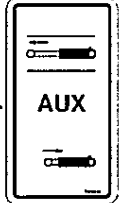
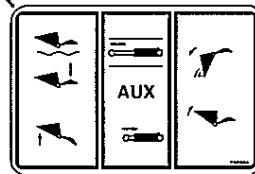
- BEFORE STARTING AND OPERATING READ AND UNDERSTAND ALL SAFETY INSTRUCTIONS IN THE MANUAL AND ON THE MACHINE.
- KEEP THE AREA OF OPERATION CLEAR.
- THIS MACHINE IS EQUIPPED WITH A SAFETY SYSTEM. CONTACT YOUR THOMAS DEALER FOR ALL SAFETY SYSTEM ADJUSTMENTS.
- FASTEN YOUR SEAT BELT.
- DO NOT REAR END OTHER OPERATORS OR OPERATOR TO RIDE ON THE MACHINE. THERE IS NO SAFE PLACE FOR OTHER PEOPLE.
- STAY OUT FROM UNDER MACHINES UNLESS SUPPORTED.
- CARRY LIFTCHUCKS AT THE CORNER (TRANSPORT) SET FOR FORWARD AND SLOW DOWN ON TURN. REAR-UP, FORWARD AND SLOTTED TO AVOID HILL DIPS.
- USE LARGE ROLLERS (SPECIAL ATTACHMENT) FOR HARD SURFACES. HEAVY DUTY SLOTTED ROLLERS (SPECIAL ATTACHMENT) ARE AVAILABLE FOR HARD SURFACES.
- HANDS AND LIMBS MUST REMAIN AWAY FROM THE LIFTCHUCKS. THEY CAN BE EXTREMELY DANGEROUS DUE TO THE FORCE OF THE LIFTCHUCKS AND THE WEIGHT OF THE OPERATOR.
- KEEP ALL SAFETY DEVICES AND SAFETY EQUIPMENT IN PLACE.
- USE SAFETY DEVICES AND SAFETY EQUIPMENT IN PLACE.
- DO NOT OPERATE ON SLOPES DOWN THE SLOPES TO THE ENGINE, SET OF THE FRONT, AND SET OF THE REAR. CONTACT YOUR THOMAS DEALER FOR ALL SAFETY SYSTEM ADJUSTMENTS.
- FAILURE TO FOLLOW ANY OF THE SAFETY INSTRUCTIONS WILL BE THE OPERATOR'S RESPONSIBILITY.



**WARNING**

THIS LOADER IS EQUIPPED WITH A SEAT-BAR-ACTIVATED PARKING BRAKE. TO RELEASE THE PARKING BRAKE, SIMPLY LOWER THE SEAT BAR.

SHOULD THE BRAKE NOT RELEASE, SLIGHTLY JOG THE CONTROL LEVERS FORWARD AND REARWARD.

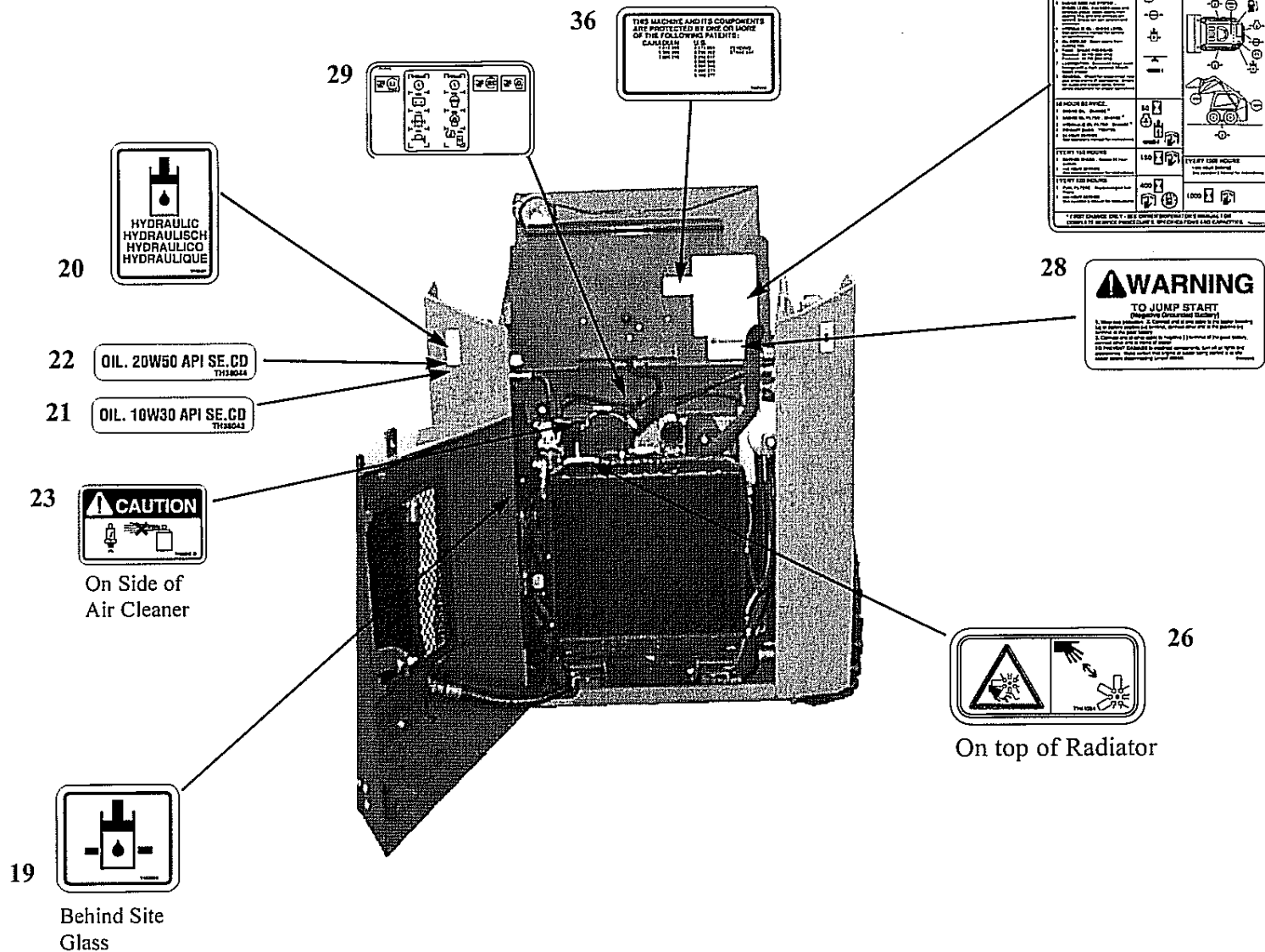


**WARNING**

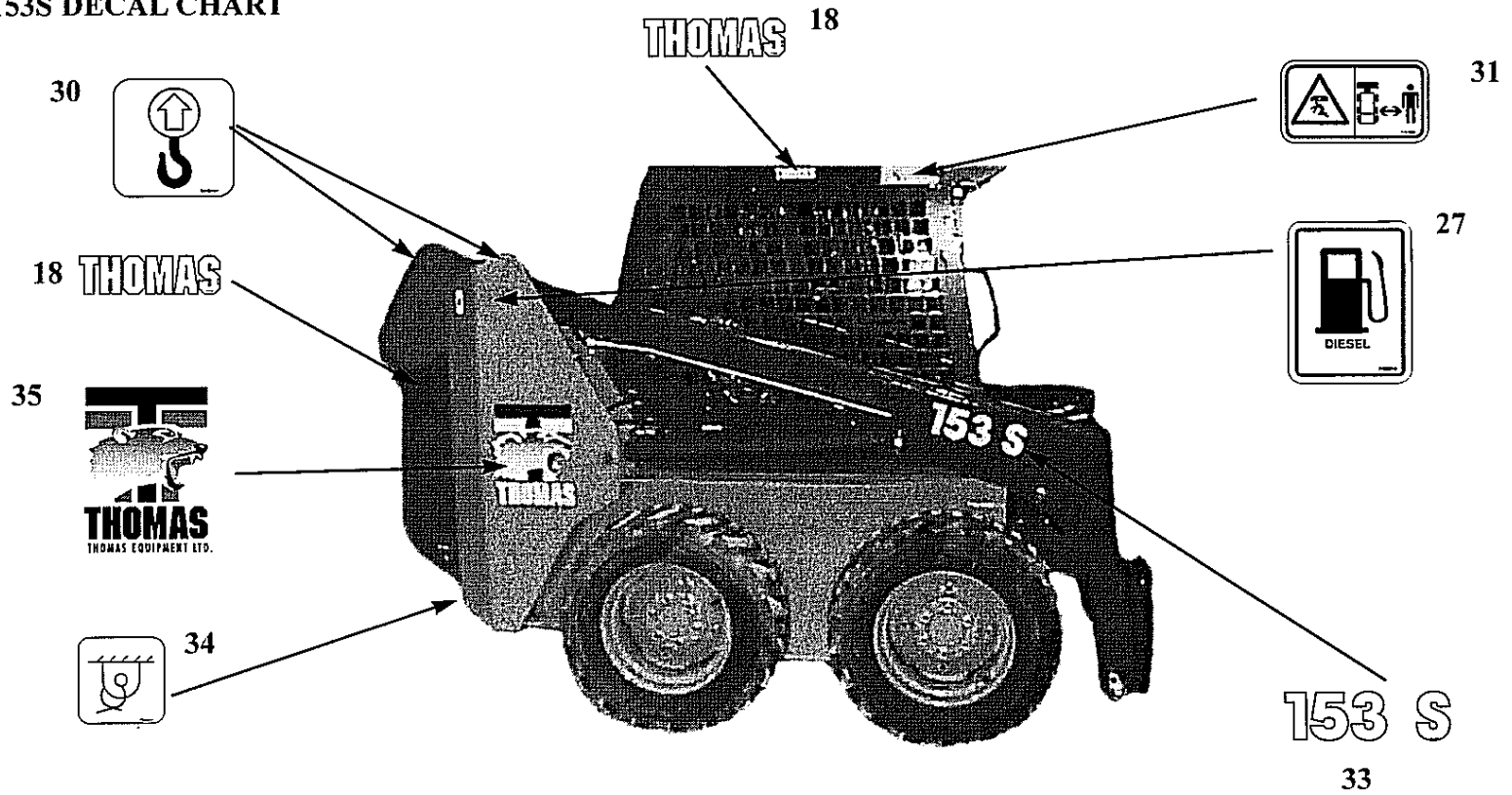
CARRY LOAD LOW  
FASTEN SEAT BELT



# T135S / T53S DECAL CHART



## T135S / T153S DECAL CHART



## T133S/ T135S, T153S T153 HLS SERIES DECAL PARTS LIST

### 39198 Kit, S series Decal's

1.	39196	10.	35885	19.	23308	28.	23325
2.	36473	11.	37059	20.	23307	29.	43144
3.	23324	12.	41045	21.	38043	30.	39191
4.	35886	13.	31291	22.	38044	31.	41065
5.	37060	14.	23326	23.	23312	33.	44622
6.	23301	15.	41066	24.	36841	34.	39192
7.	35935	16.	23309	25.	23321	35.	46378 RH
8.	25460	17.	32275	26.	41064	35.	46379 LH
9.	36598	18.	44615	27.	23310	36.	37010

# Index - T135S/153S

## MAINFRAME 1.

Fuel System.....	1.1
Rear Door and Latch.....	1.2
Quick-Tach.....	1.3
Seat, and Seat Belt.....	1.4
Shields.....	1.5
Insulation.....	1.6
ROPS Assembly.....	1.7
Boom Supports.....	1.8
Lift Arms and Pivot Pins.....	1.9

## CONTROLS 2.

Control Levers, Hand (R.H. Side).....	2.1
Control Levers, Hand (L.H. Side).....	2.2
Control Levers (R.H. Side).....	2.3
Control Levers (L.H. Side).....	2.4
Foot Pedals.....	2.5
Foot Pedals (Hand Control Unit ).....	2.6
Throttle.....	2.7
Restraint Bar .....	2.8

## FINAL DRIVE TRANSMISSION 3.

Transmission Housing.....	3.1
Axle Assembly.....	3.2
Chain Tightener Assy.....	3.3

## HYDRAULIC SYSTEM 4.

Oil Reservoir.....	4.1
Boom Lift Circuit.....	4.2
Bucket Tilt Circuit.....	4.3
Auxiliary Hydraulic Circuit.....	4.4
Control Valve (1) .....	4.5
Control Valve (2) .....	4.6
Hydraulic Oil Filter.....	4.7
Lift Cylinder.....	4.8
Tilt Cylinder.....	4.9

## HYDROSTATIC DRIVE SYSTEM 5.

Hydrostatic Drive Circuit (RH Side).....	5.1
Hydrostatic Drive Circuit (LH Side).....	5.2
Hydrostatic Pump.....	5.3
Torque Motor.....	5.4
Brake Valve .....	5.5

## ELECTRICAL SYSTEM 6.

Electrical Wiring (ROPS Side).....	6.1
Electrical Wiring (Engine Side ).....	6.2

## ENGINE EQUIPMENT 7.

Air Cleaner.....	7.1
Exhaust System.....	7.2
Universal Joint.....	7.3
Radiator and Fan Assy.....	7.4

## OPTIONAL EQUIPMENT 8.

Cab Door.....	8.1
Wheel Equipment.....	8.2
CE Kit .....	8.3



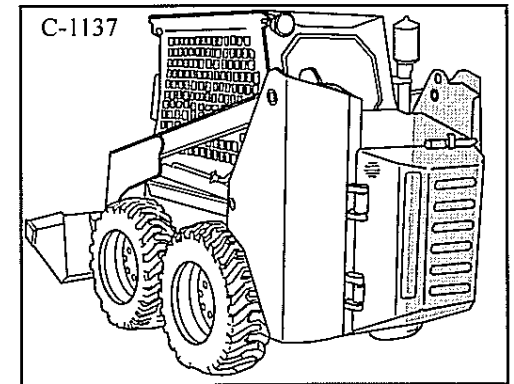
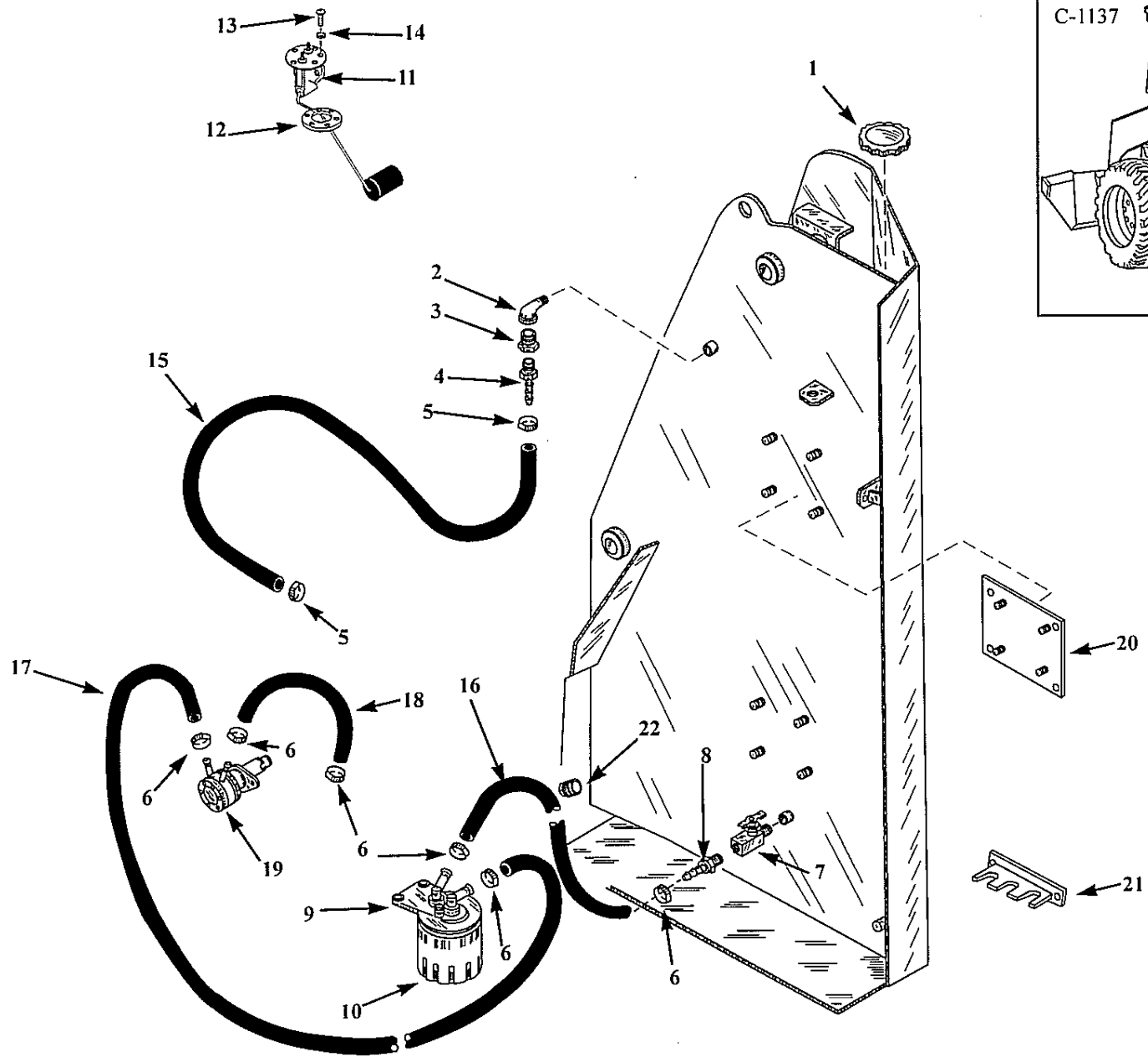
## MAINFRAME 1.

Fuel System.....	1.1
Rear Door and Latch.....	1.2
Quick - Tach.....	1.3
Seat and Seat Belt.....	1.4
Shields.....	1.5
Insulation.....	1.6
ROPS Assembly.....	1.7
Boom Supports.....	1.8
Lift Arms and Pivot Pins.....	1.9

# Fuel System

(LE008500 to LE008799)

1.1



C-1167

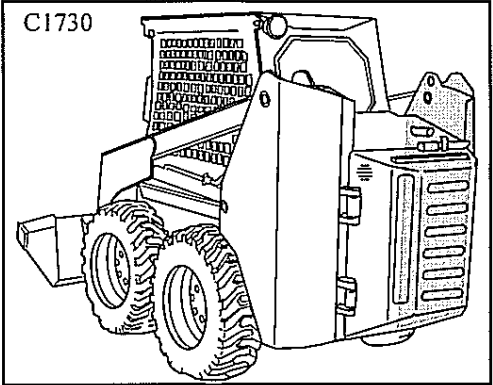
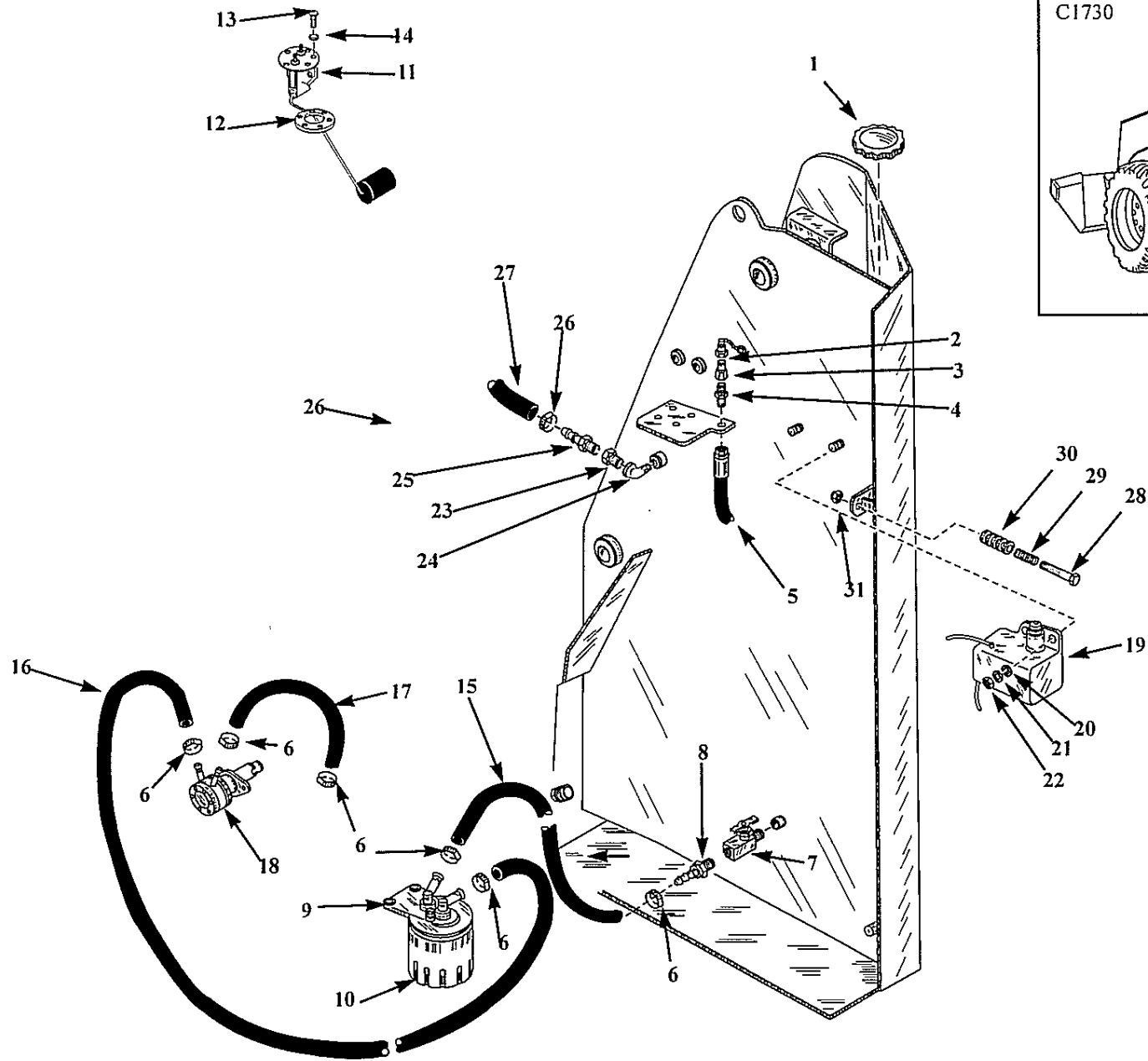
Pos NO.	Part No.	Qty	Description	1. 1
1	40921	1	Cap, Fuel, Diesel	
1	40922	1	Cap, Fuel, Diesel, Locking	
2	42574	1	Elbow, 90 deg.	
3	42572	1	Bushing, Reduction	
4	18318	1	Hose End	
5	26737	2	Clamp, Fuel Line	
6	19949	6	Clamp	
7	14797	1	Cock, Fuel Shutoff	
8	23861	1	Hose End	
9	42561	1	Filter, Fuel	
10	42560	1	Assy, Fuel Filter	
11	41626	1	Fuel Level Sender	
12	24264	1	Gasket, Cork	
13	23194	5	Machine Screw	
14	24214	5	Washer, Fibre (Optional)	
15	407	as req.	Fuel Line	
16	261	as req.	Fuel Line	
17	261	as req.	Fuel Line	
18	261	as req.	Fuel Line	
19	33112	1	Fuel Pump	
20	962099	1	Valve Mount	
21	962338	1	Cable Bulkhead	
22	1458	1	Plug	

\* 049669, Key-Locking Gas Cap

# Fuel System

(LE008800 onward) (LN000101 onward)

1.1

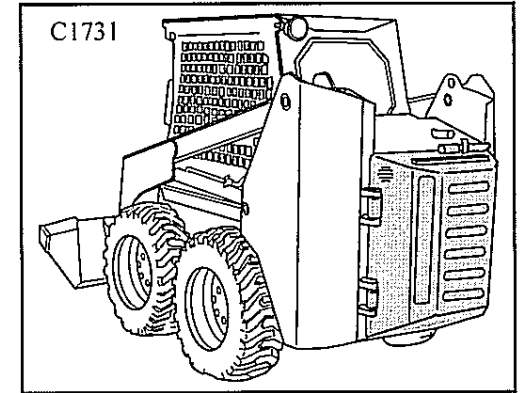
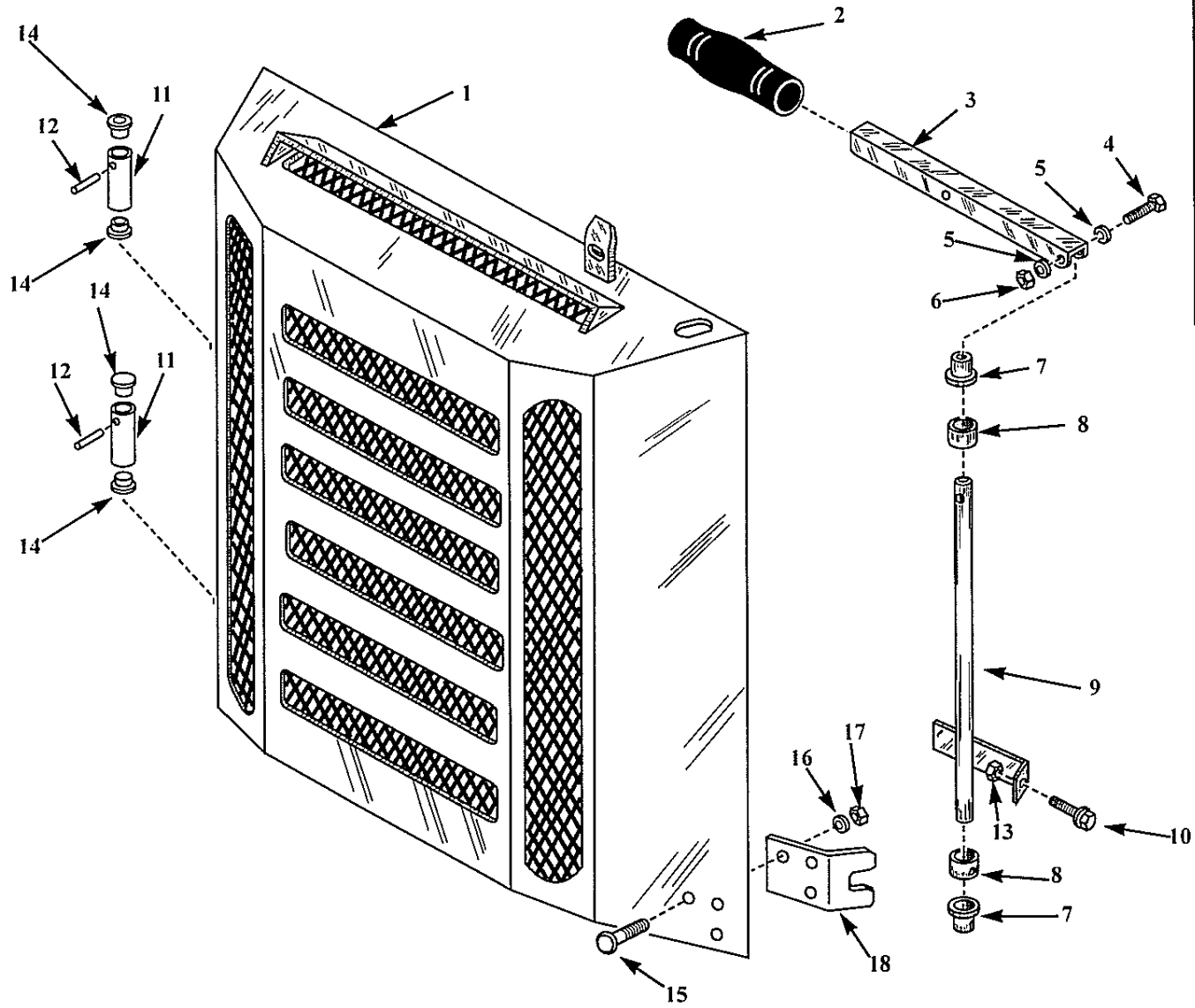


Pos NO.	Part No.	Qty	Description
1	40921	1	Cap, Fuel, Diesel
1	40922	1	Cap, Fuel, Diesel, Locking
2	43130	1	Cap, Quick Disconnect, Male
3	43128	1	Coupling, Quick Disconnect, Male
4	43127	1	Connector, Bulkhead
5	962401	1	Hose, Hyd
6	19949	6	Clamp
7	14797	1	Cock, Fuel Shutoff
8	23861	1	Hose End
9	42561	1	Filter, Fuel
10	42560	1	Assy, Fuel Filter
11	41626	1	Fuel Level Sender
12	24264	1	Gasket, Cork
13	23194	5	Machine Screw
14	24214	5	Washer, Fibre (Optional)
15	261	as req.	Fuel Line
16	261	as req.	Fuel Line
17	261	as req.	Fuel Line
18	33112	1	Fuel Pump
19	42737	1	Overflow Tank
20	1650	2	Washer, Flat
21	1870	2	Washer, Lock
22	1191	2	Nut
23	42574	1	Elbow, 90 deg.
24	42572	1	Bushing, Reduction
25	18318	1	Hose End
26	26737	2	Clamp, Fuel Line
27	407	as req.	Fuel Line
28	1773	1	Bolt
29	32920	1	Spring
30	23385	as req	Washer, Flat
31	8613	1	Nut, Nylock
32	1458	1	Plug

Rear Door and Latch

(LE0085000 onward)

1.2



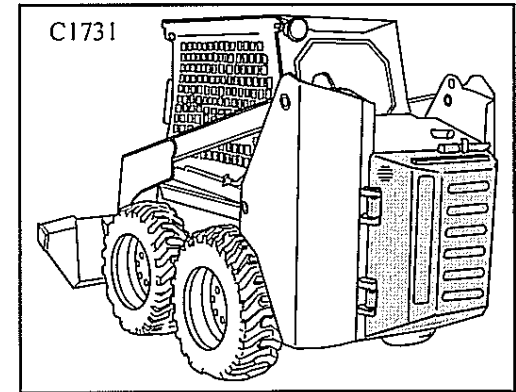
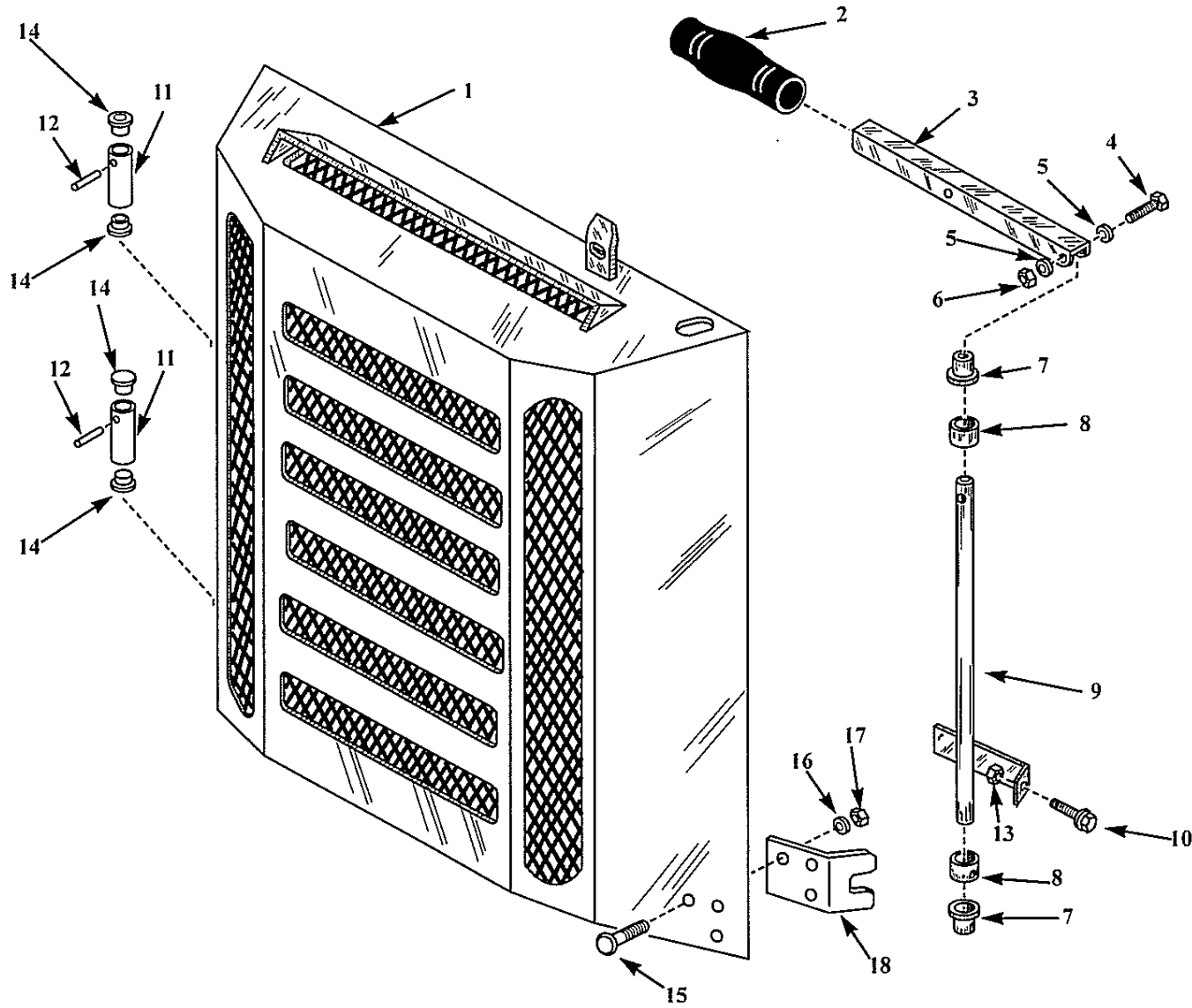
C1681

Pos NO.	Part No.	Qty	Description	1.2
1	960718	1	Rear Door, Complete (LE008500 to LE008799)	
1	962308	1	Rear Door, Welded Assy (LE008800 onward) ( Includes 3,4,5,6,7,8,9,10,13)	
2	3189	1	Grip, Lever	
3	35426	1	Door Handle	
4	1678	1	Bolt	
5	1651	2	Washer	
6	16771	1	Nut	
7	16989	4	Bearing	
8	4842	2	Set Collar	
9	959272	1	Lock Assy	
10	2823	1	Bolt	
11	46227	2	Pin	
12	31489	2	Roll Pin	
13	20860	1	Nut	
14	31488	1	Bearing	
15	2835	3	Bolt	
16	1643	3	Washer, Flat	
17	7465	3	Nut	
18	43629	1	Plate, Rear Door Guide	

Rear Door and Latch

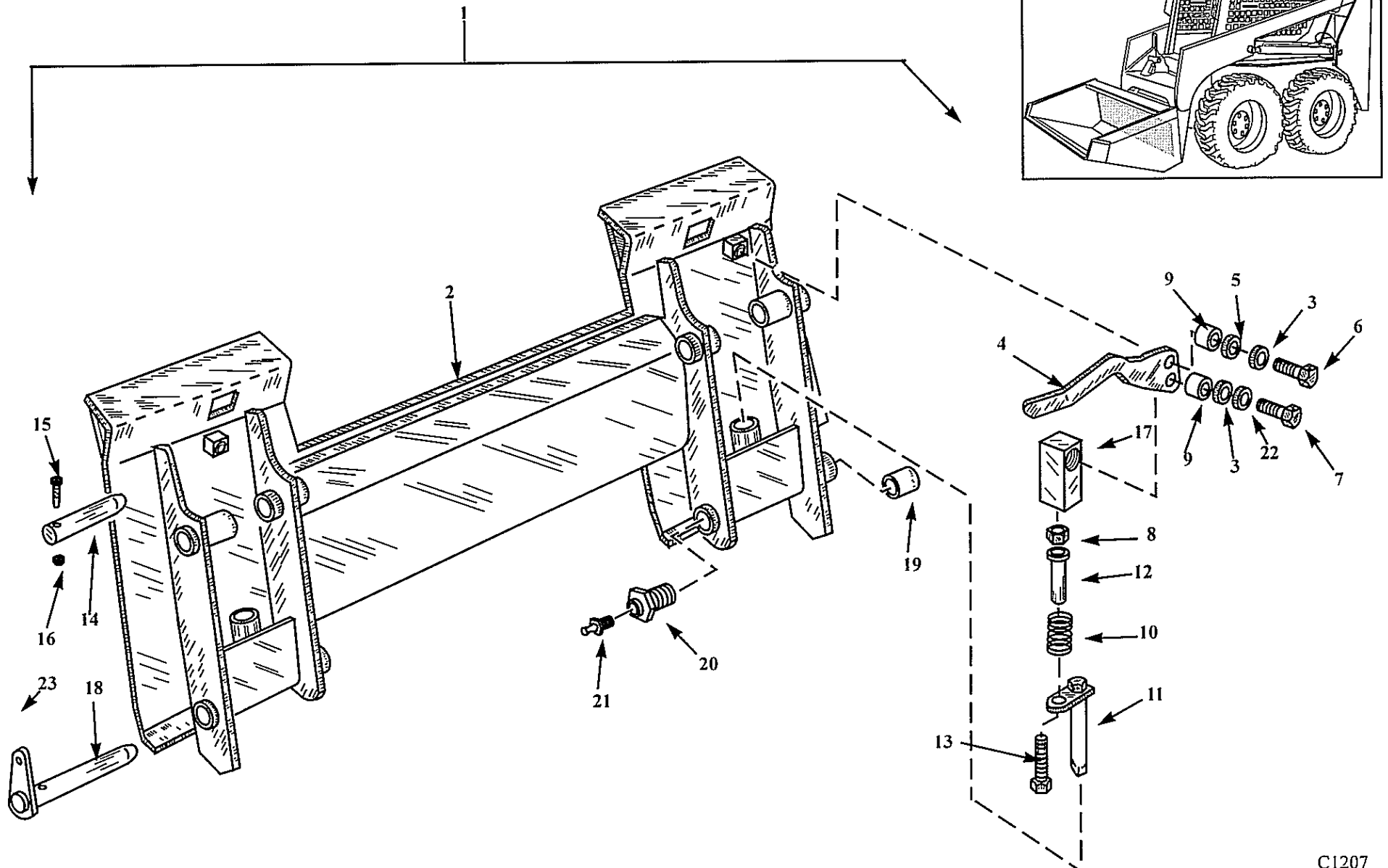
T153 'S' Only

1.2

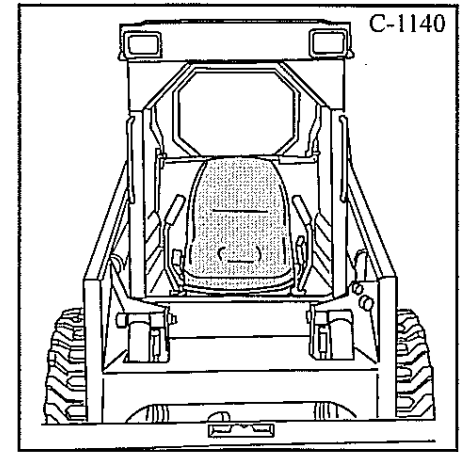
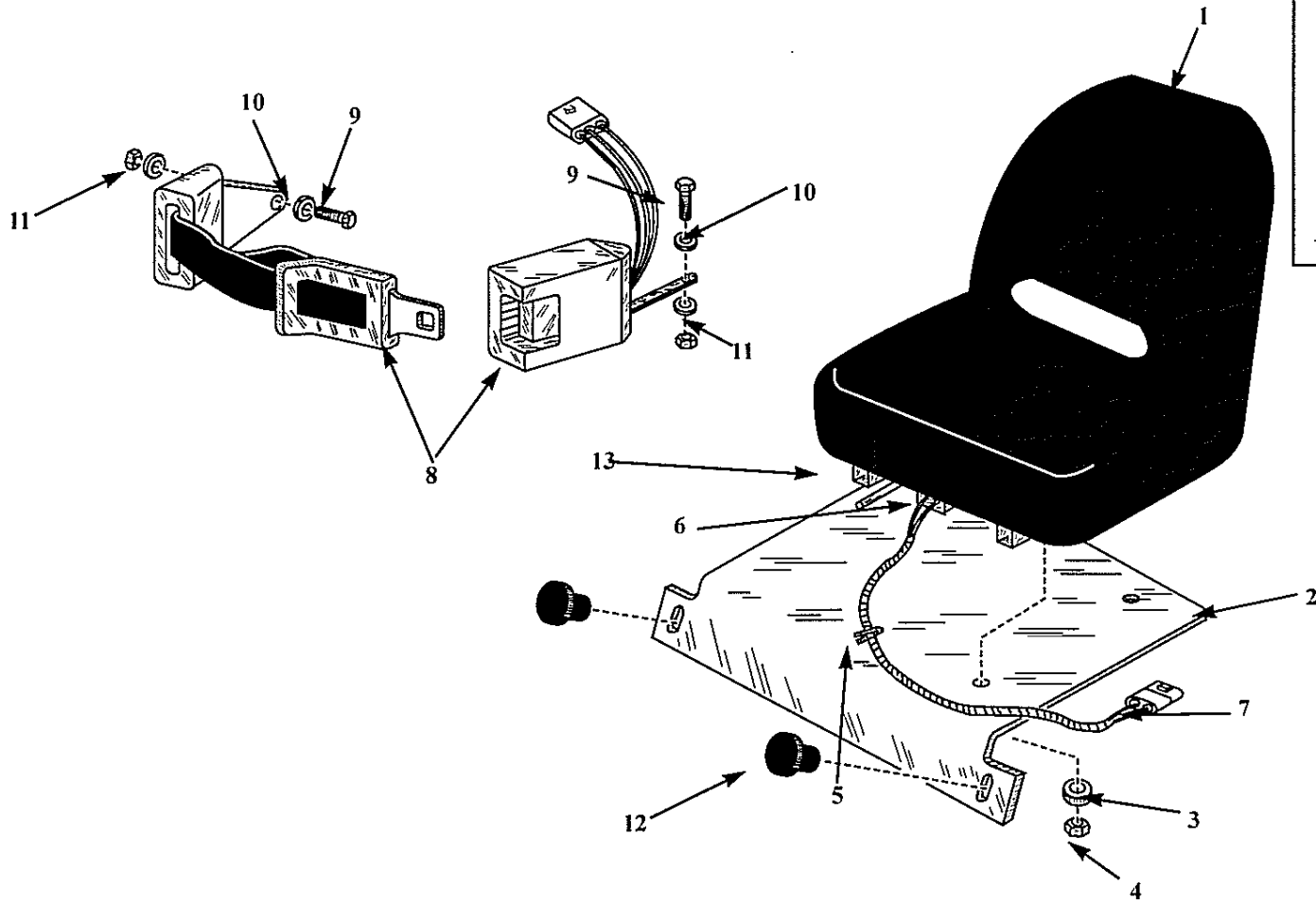




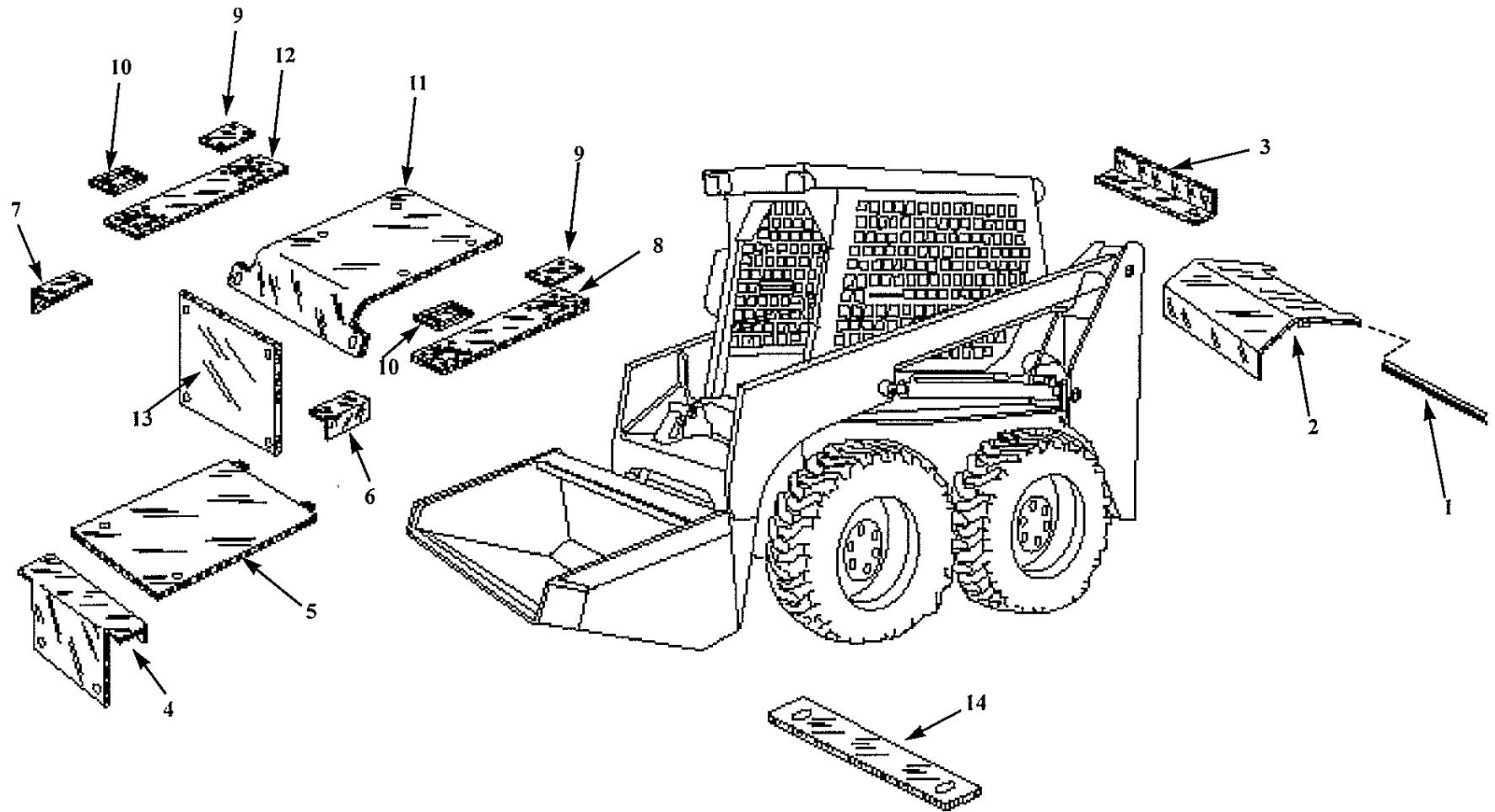
Pos NO.	Part No.	Qty	Description	T153'S' Only	1. 2
1	962894	1	Rear Door, Complete		
1	962893	1	Rear Door, Welded Assy ( Includes 3,4,5,6,7,8,9,10,13)		
2	3189	1	Grip, Lever		
3	35426	1	Door Handle		
4	1678	1	Bolt		
5	1651	2	Washer		
6	16771	1	Nut		
7	16989	4	Bearing		
8	4842	2	Set Collar		
9	962892	1	Lock Assy		
10	2823	1	Bolt		
11	42011	2	Pin		
12	31489	2	Roll Pin		
13	20860	1	Nut		
14	31488	1	Bearing		
15	2835	3	Bolt		
16	1643	3	Washer, Flat		
17	7465	3	Nut		
18	44548	1	Plate, Rear Door Guide		



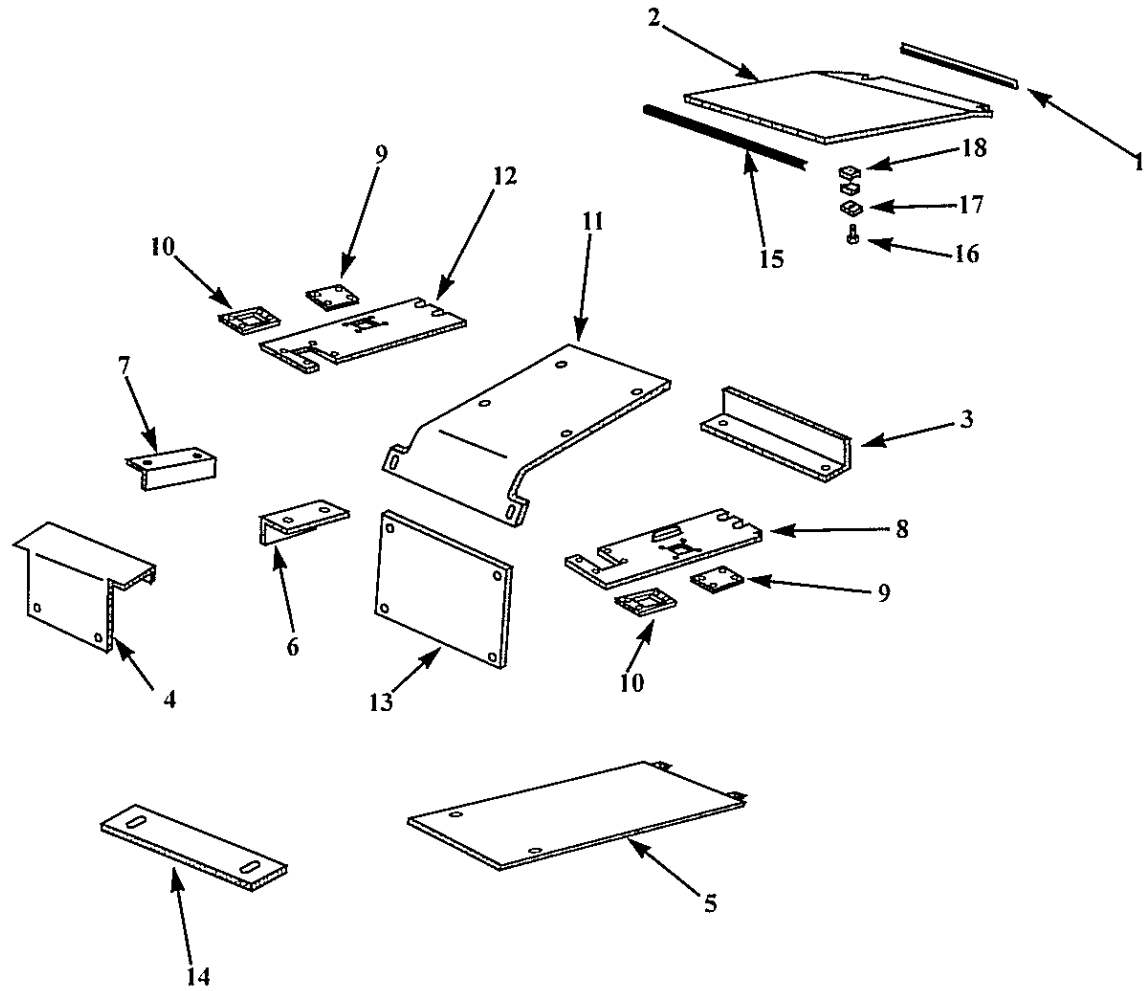
Pos NO.	Part No.	Qty	Description
1	U-3815	1	Quick - Tach Complete (Without pins)
2	961249	1	Quick Tach, Welded Assy
3	23385	4	Washer, Flat
4	41290	1	RH, Handle
4	41291	1	LH, Handle
5	41392	2	Washer, Belleville Spring
6	1680	2	Bolt
7	3321	2	Bolt
8	20860	2	Nut, Plain
9	22653	4	Bushing, Stabilizer Bar
10	41391	2	Spring
11	960993	1	LH Pin, Lock Assy
11	960994	1	RH Pin, Lock Assy
12	42350	2	Bushing, Spring Stabilizer
13	2011	2	Bolt, Hex
14	40778	2	Pin
14	43834	2	Pin,Hardened
15	1677	2	Bolt, Hex
16	16771	2	Nut, Nylock
17	40614	2	Linkage Block
18	043836	2	Q/T Pin Assy
19	41117	2	Hardened Bushing
20	8897	2	Bushing, Reducer
21	39924	2	Grease Nipple
22	20861	2	Washer, Lock
23	8613	1	Nut



Pos NO.	Part No.	Qty	Description
1	38600	1	Seat Assy W / Sliders
2	42613	1	Sheet, Seat Mount
3	1870	4	Washer
4	1191	4	Nut
5	40581	1	Clip
6	38516	1	Seat Switch
7	39904	1	Harness, Seat Switch
8	960680	1	Seat Belt (T135- S/N LE010073, T153- S/N LN00256, T103- S/NLC001311 onward)
8	960681	1	3" Seat Belt (Option)
9	1193	2	Bolt
10	1643	2	Washer
11	7465	2	Nut
12	42070	2	Knob, W / Stud
13	42931	1	Seat Slider, W / Adjusters
*	41797	2	(Not Shown) Knob, W / Brass Insert on Hydrostatic Shield



Pos NO.	Part No.	Qty	Description
1	617	1	Moulding
2	961903	1	Engine Cover Assy
3	40477	1	Rear Filler Shield
4	40462	1	Front Step Shield
5	960932	1	Rear Belly Pan Assy
6	40498	1	Chain Tightener Shield, LH
7	40499	1	Chain Tightener Shield, RH
8	960934	1	LH Seat Support
9	40495	2	Hole Cover
10	42229	2	Cover
11	42613	1	Seat Plate
12	960935	1	RH seat Support
	40787	2	Neoprene
	42070	4	Knob, W / Stud
	41797	2	Knob, W / Brass Insert
	41704	2	Stud for 41791
	39126	2	Plug, Black Plastic
	43549	as req.	Washer
13	42615	1	Hydrostatic Shield
14	41801	1	Clean Cutout plate

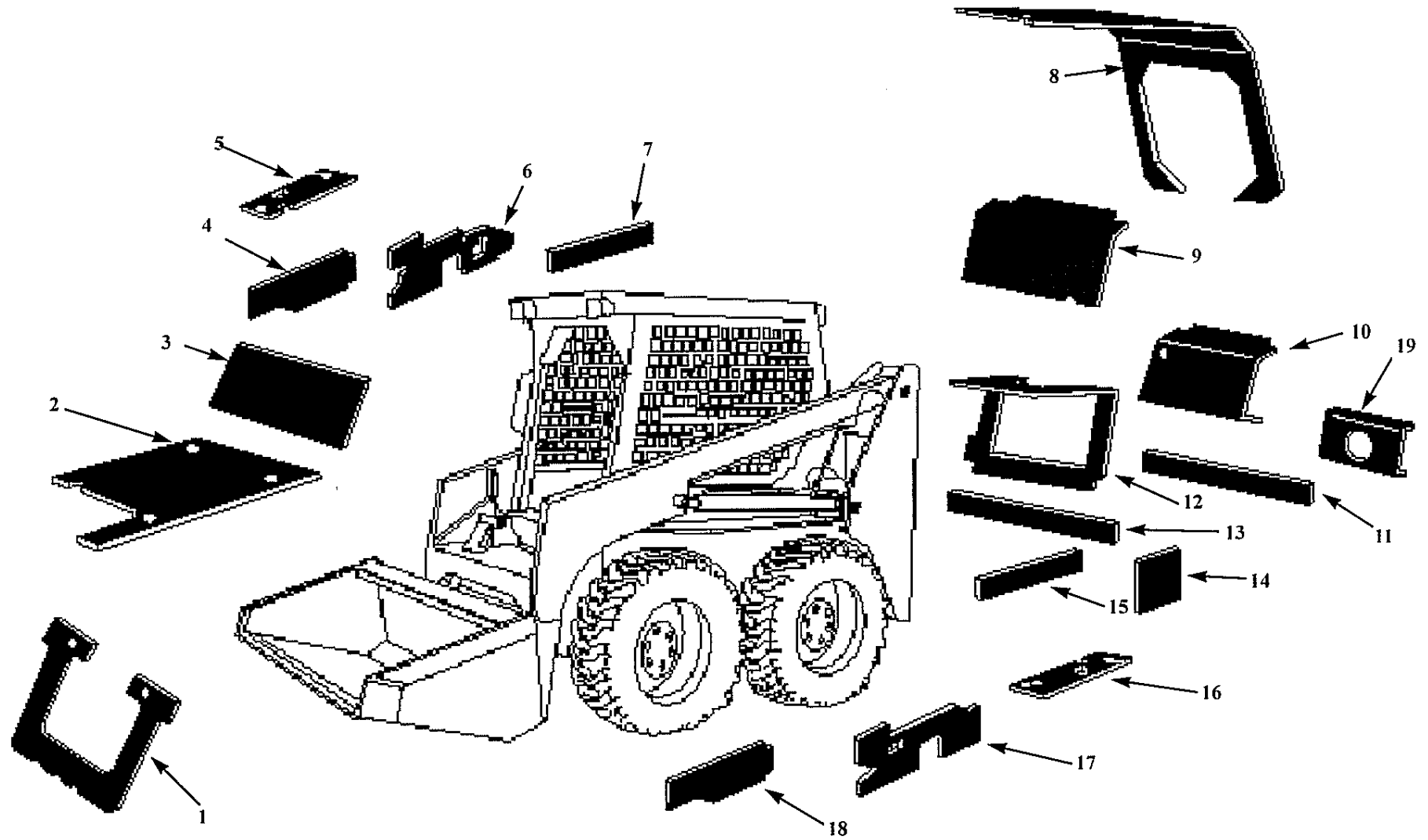




Pos NO.	Part No.	Qty	Description
1	617	1	Moulding
2	961903	1	Engine Cover Assy
3	40477	1	Rear Filler Shield
4	40462	1	Front Step Shield
5	960932	1	Rear Belly Pan Assy
6	40498	1	Chain Tightener Shield, LH
7	40499	1	Chain Tightener Shield, RH
8	960934	1	LH Seat Support
9	40495	2	Hole Cover
10	42229	2	Cover
11	42613	1	Seat Plate
12	960935	1	RH seat Support
	40787	2	Neoprene
	42070	4	Knob, W / Stud
	41797	2	Knob, W / Brass Insert
	41704	2	Stud for 41791
	39126	2	Plug, Black Plastic
	43549	as req.	Washer
13	42615	1	Hydrostatic Shield
14	41801	1	Clean Cutout Plate
15	820	3'	Edging, Vinyl
16	17422	2	Bolt
17	39556	2	Cover
18	39557	4	Clamps

Insulation

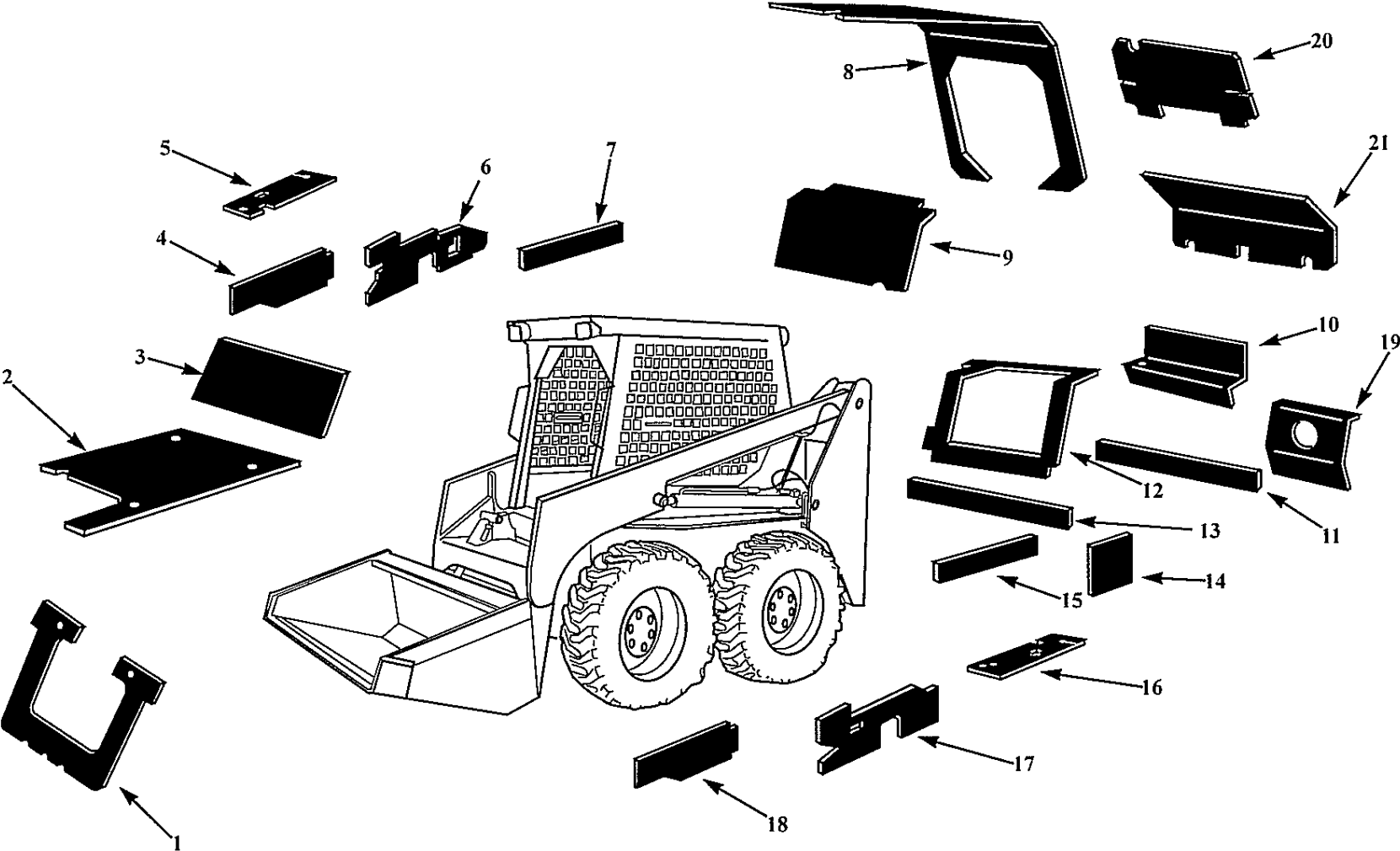
(LE008500 to LE008799)



Pos NO.	Part No.	Qty	Description
1	42618	1	Bulkhead plate
2	42617	1	Seat plate
3	43245	1	Front step shield
4	43248	1	RH upper trans. shield
5	43250	1	RH side shield
6	43253	1	RH lower trans. shield
7	43240	1	RH ROPS side
8	43242	1	ROPS rear window
9	43244	1	Battery box cover
10	39564	1	ROPS outer blanket
11	40543	1	Rear filler side plate,rear
12	43243	1	Battery box
13	43246	1	Rear filler plate, front
14	40548	1	Inspection cover
15	43241	1	LH ROPS side
16	43249	1	LH side shield
17	43252	1	LH lower trans.
18	43247	1	LH upper trans
19	43251	1	Pump mount

Insulation

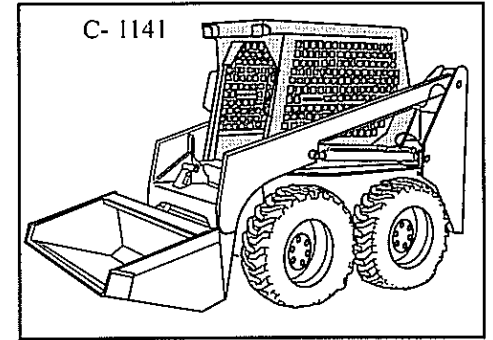
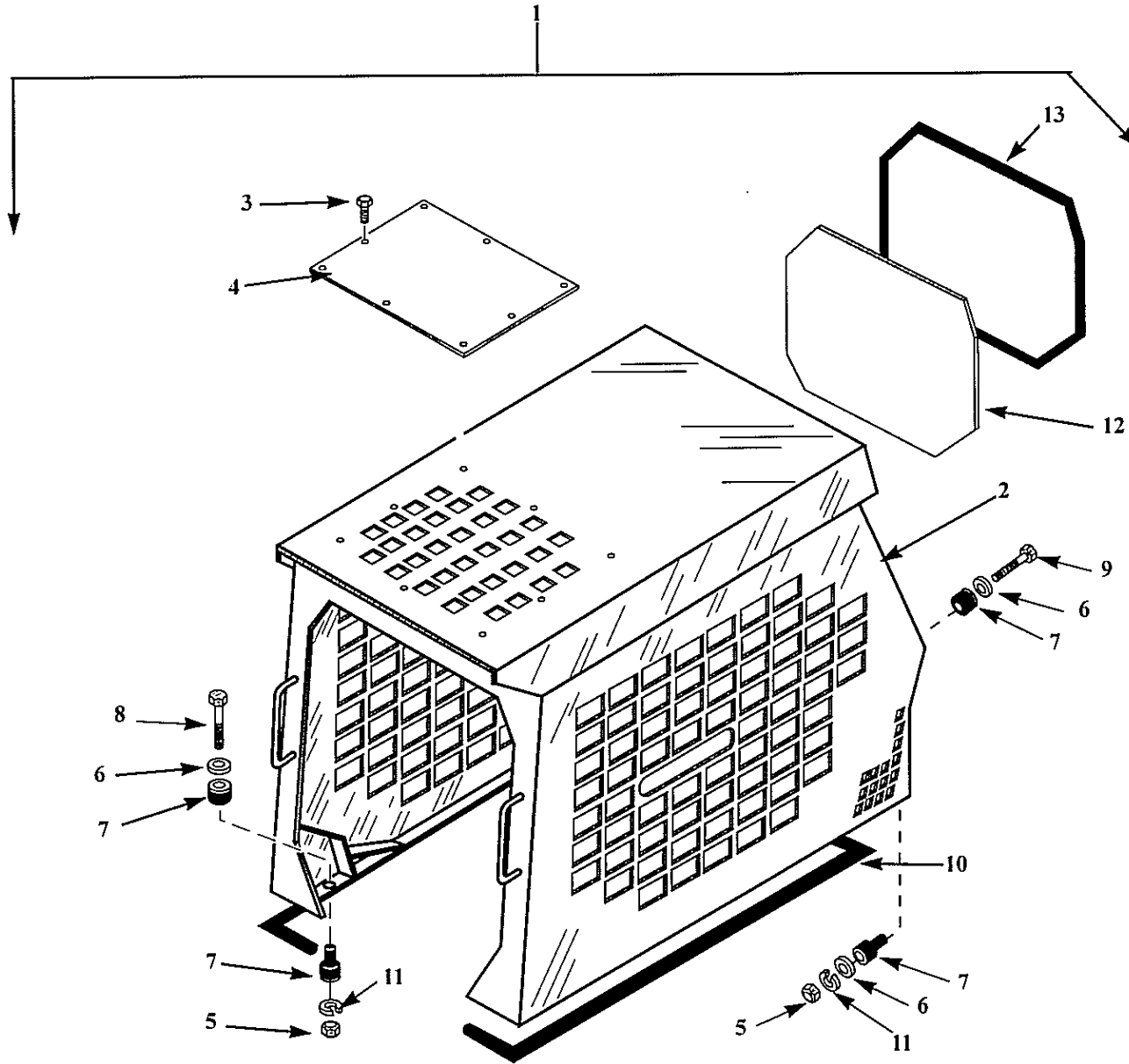
(LE008800 onward) (LN000101 onward)



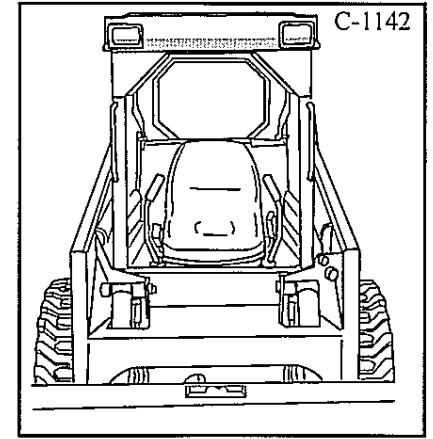
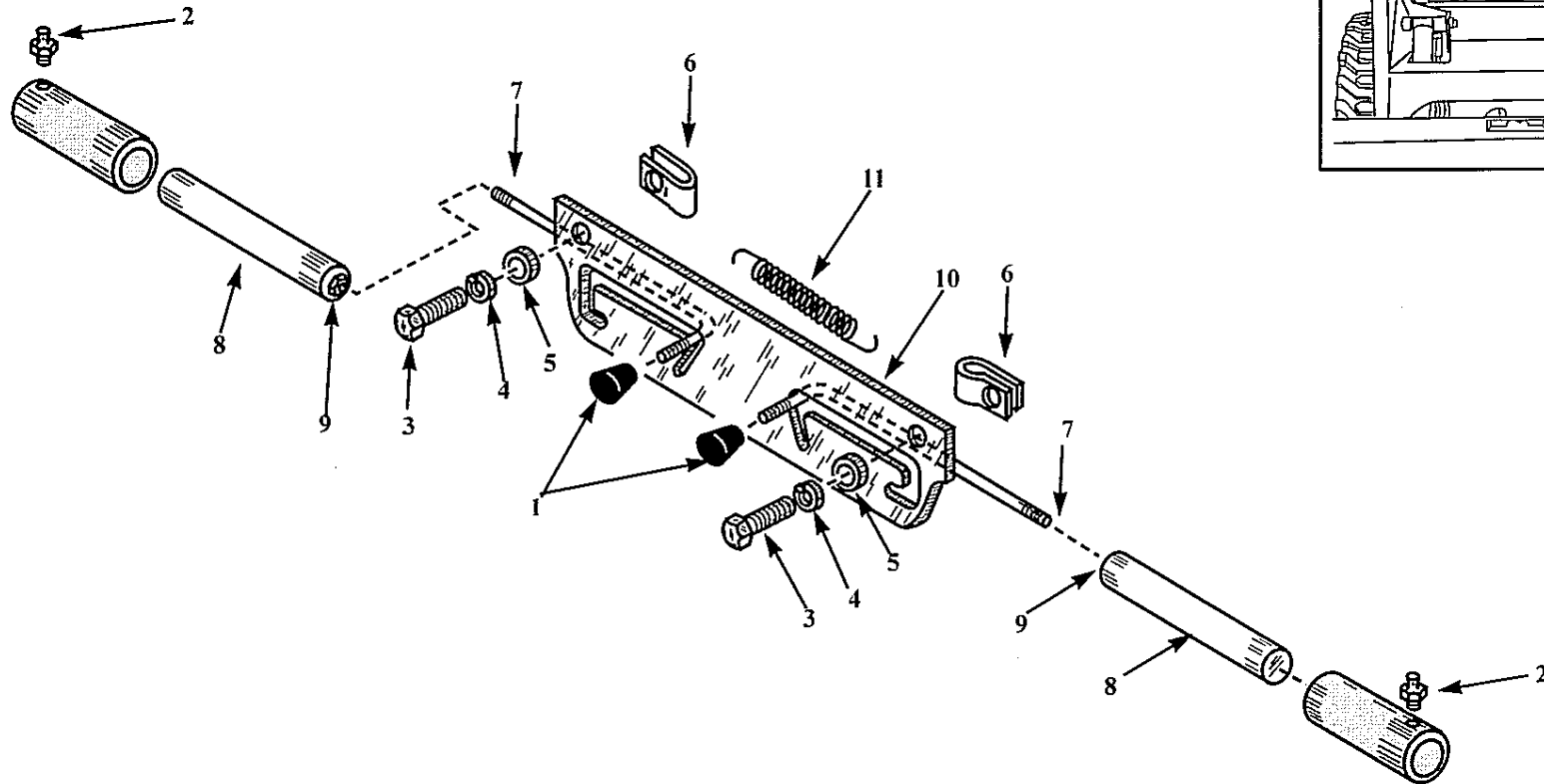
Pos NO.	Part No.	Qty	Description
1	42618	1	Insulation, Bulkhead plate
2	42617	1	Insulation, Seat plate
3	43245	1	Insulation, Front step shield
4	43248	1	Insulation, RH upper trans. shield
5	43250	1	Insulation, RH side shield
6	43253	1	Insulation, RH lower trans. shield
7	43240	1	Insulation, RH ROPS side
8	43242	1	Insulation, ROPS rear window
9	43244	1	Insulation, Battery box cover
10	39564	1	Insulation, ROPS outer blanket
11	40543	1	Insulation, Rear filler side plate, rear
12	43243	1	Insulation, Battery box
13	43246	1	Insulation, Rear filler plate, front
14	40548	1	Insulation, Inspection cover
15	43241	1	Insulation, LH ROPS side
16	43249	1	Insulation, LH side shield
17	43252	1	Insulation, LH lower trans.
18	43247	1	Insulation, LH upper trans.
19	43655	1	Insulation, Pump mount
20	43656	1	Insulation, Engine Cover
21	43657	1	Insulation, Tank Tie

# ROPS Assembly

1.7



Pos NO.	Part No.	Qty	Description
1	962054	1	ROPS Complete
2	962160	1	ROPS Frame Assy
3	31744	8	Screw, Self Tapping
4	25445	1	Glass, Top ROPS
5	20860	4	Nut, Hex
6	20235	6	Washer, Snubbing
7	38560	4	Isolator, Neoprene
8	1248	2	Bolt
9	2898	2	Bolt
10	15931	6.6'	Weather Strip
11	20861	4	Washer, Locking
12	39025	1	Window, Rear with Decal
13	15750	8	Weather Strip, Glass

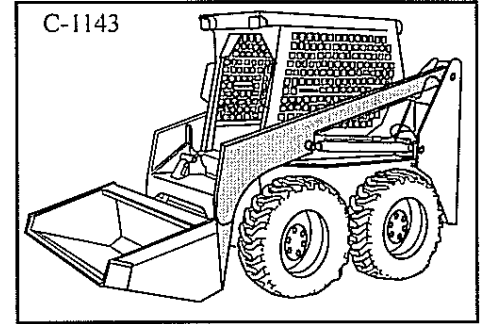
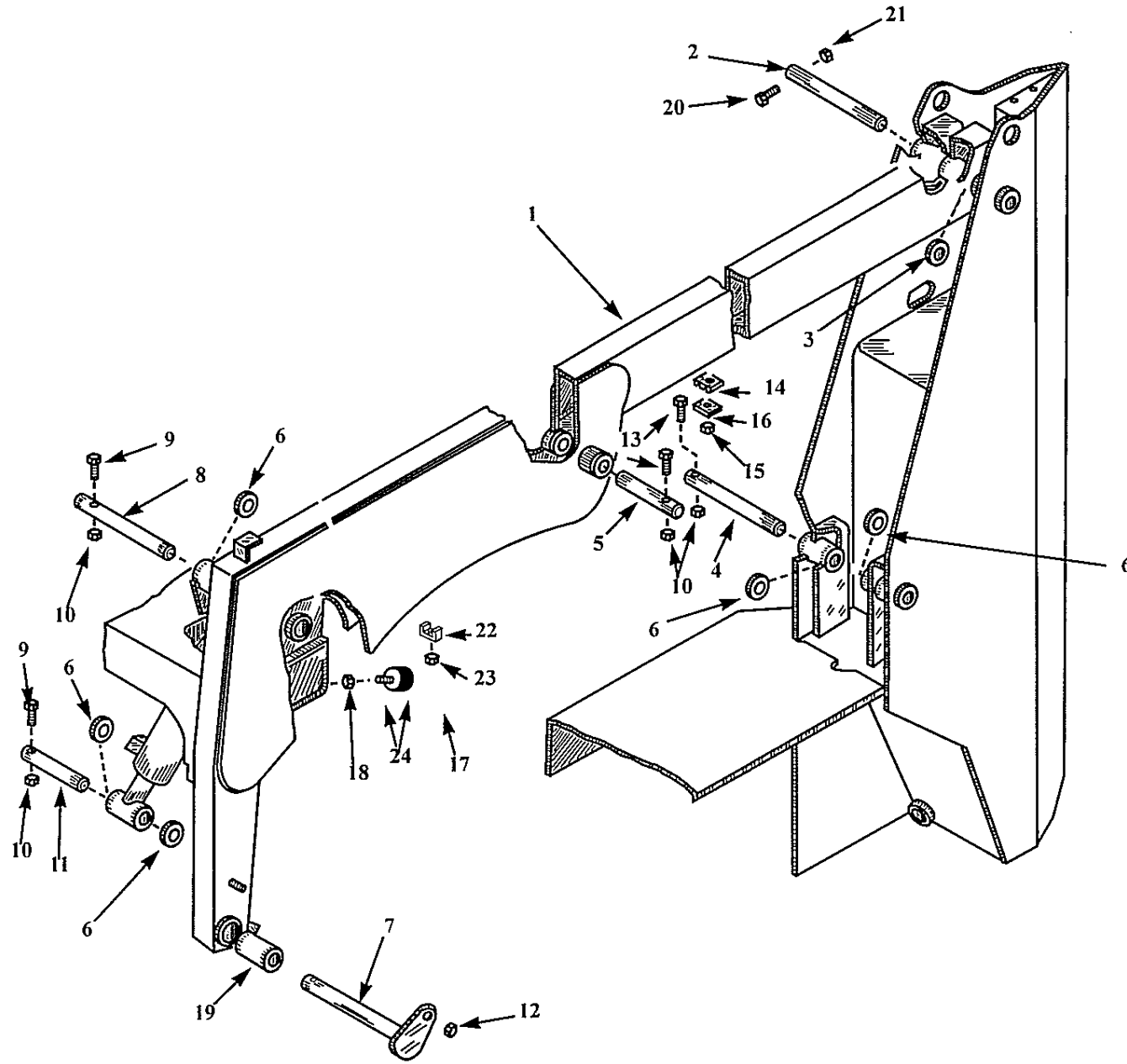




Pos NO.	Part No.	Qty	Description
1	39546	2	Knob
2	35449	2	Grease Nipple
3	1190	2	Bolt
4	1651	2	Lock Washer
5	1870	2	Flat Washer
6	6086	2	Captive Nut
7	25530	2	Locking Pin Arm
8	25532	2	Pin, Boom Support
9	1350	2	Nut
10	38796	1	Panel, Boom Support
11	43312	1	Spring

Lift Arms and Pivot Pins

1.9



C1169

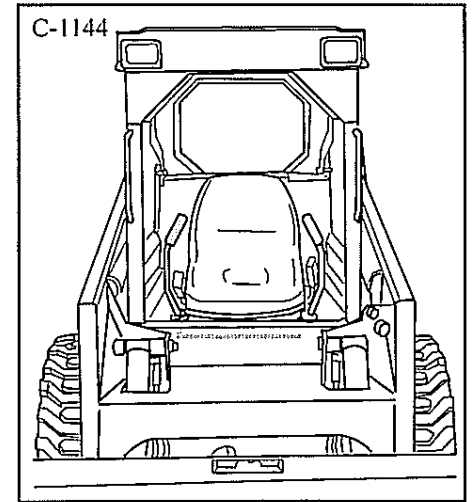
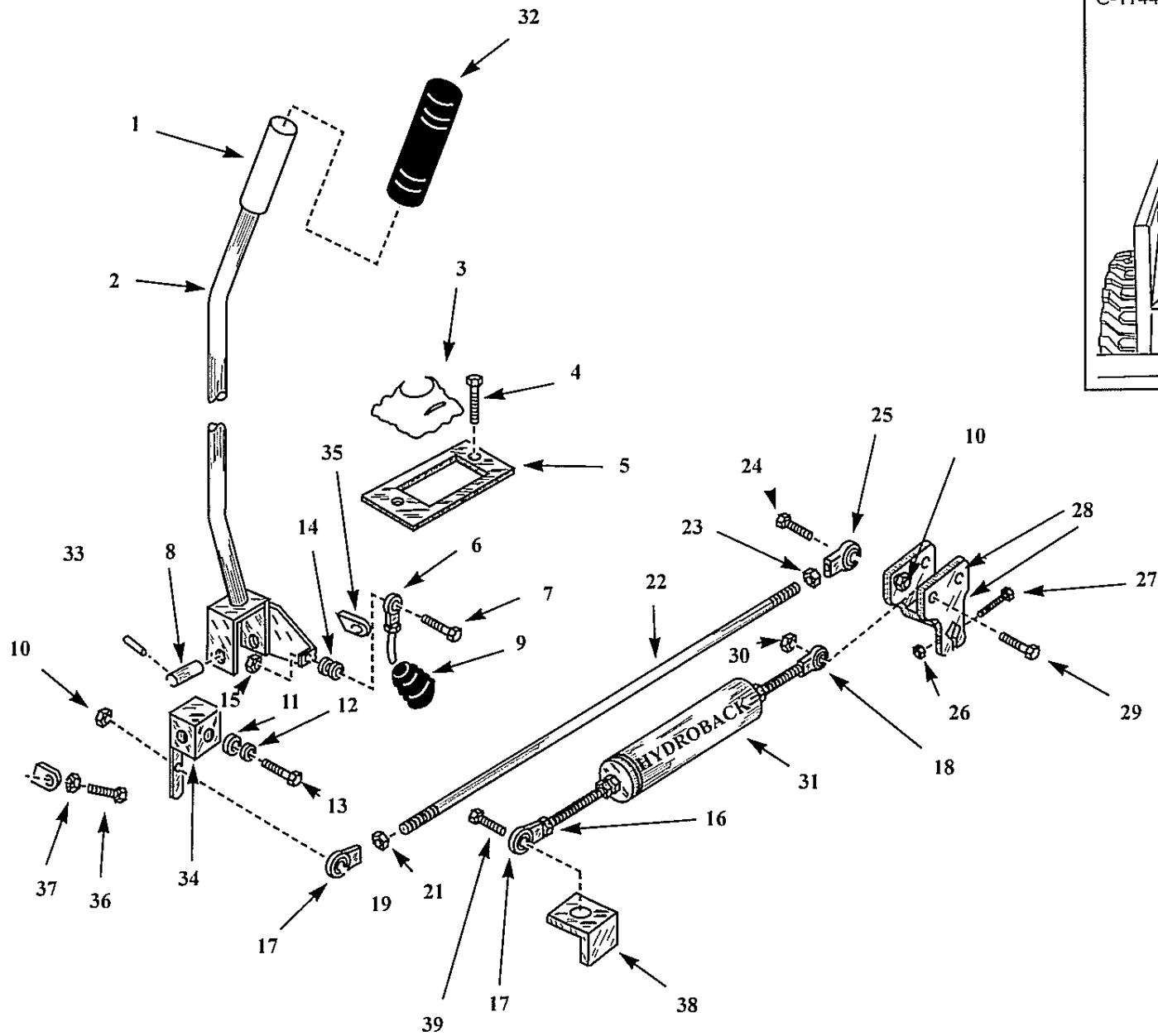
Pos NO.	Part No.	Qty	Description
1	962088	1	Lift Arm Assy
1	962211	1	Lift Arm Assy (Foundry)
2	40997	2	Hinge Pin
3	32614	2	Washer, Neoprene
4	40998	2	Pin
5	40999	2	Pin
6	32615	as req	Washer, Neoprene
7	961253	2	Q/T Pin Assy
8	26479	2	Long Tilt Pin
9	1676	5	Bolt
10	16771	11	Nut, Nylock
11	40778	2	Tilt Pin
11	43834	2	Tilt Pin, Hardened
12	8613	2	Locknut
13	1675	2	Bolt
14	38302	6	Clamp, Tube
15	16771	6	Nut
16	38472	6	Cover, Clamp
17	43012	2	Bumper Pads
18	25091	4	Nut
19	41117	2	Bushing, Hardened (Foundry Units Only)
20	14620	1	Bolt
21	7465	1	Nut
22	36778	1	Clamp (RH ONLY)
23	16771	1	Nylock, Nut (RH ONLY)
24	43019	As req	Shim

## CONTROLS 2.

Control Lever Hand (R.H. Side).....	2. 1
Control Lever Hand (L.H. Side).....	2. 2
Control Lever (R.H. Side).....	2. 3
Control Lever (L.H. Side).....	2. 4
Foot Pedals.....	2. 5
Foot Pedals (Hand Control Unit ).....	2. 6
Throttle.....	2. 7
Restraint Bar .....	2. 8

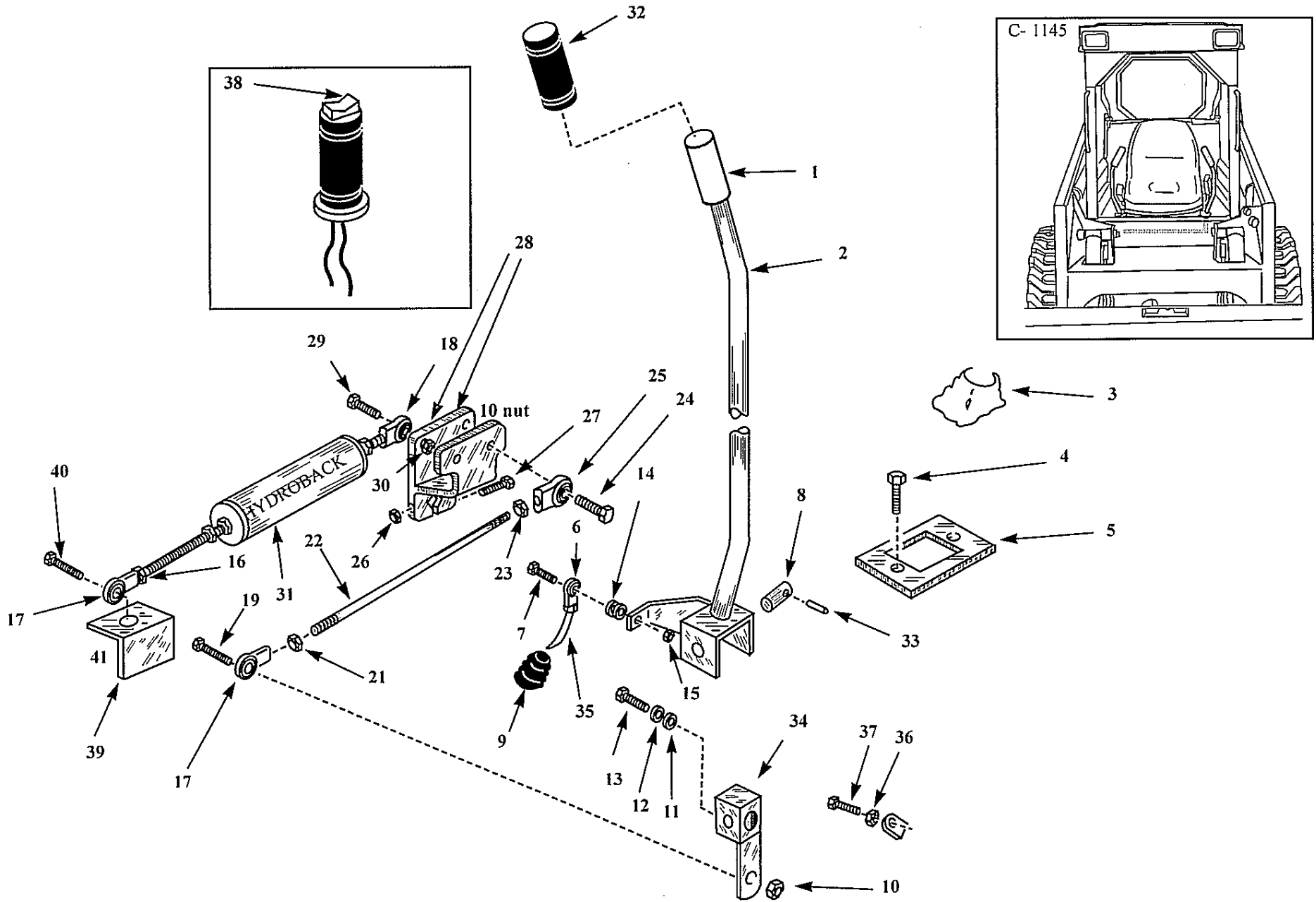
Control Lever, Hand (RH Side)

2.1



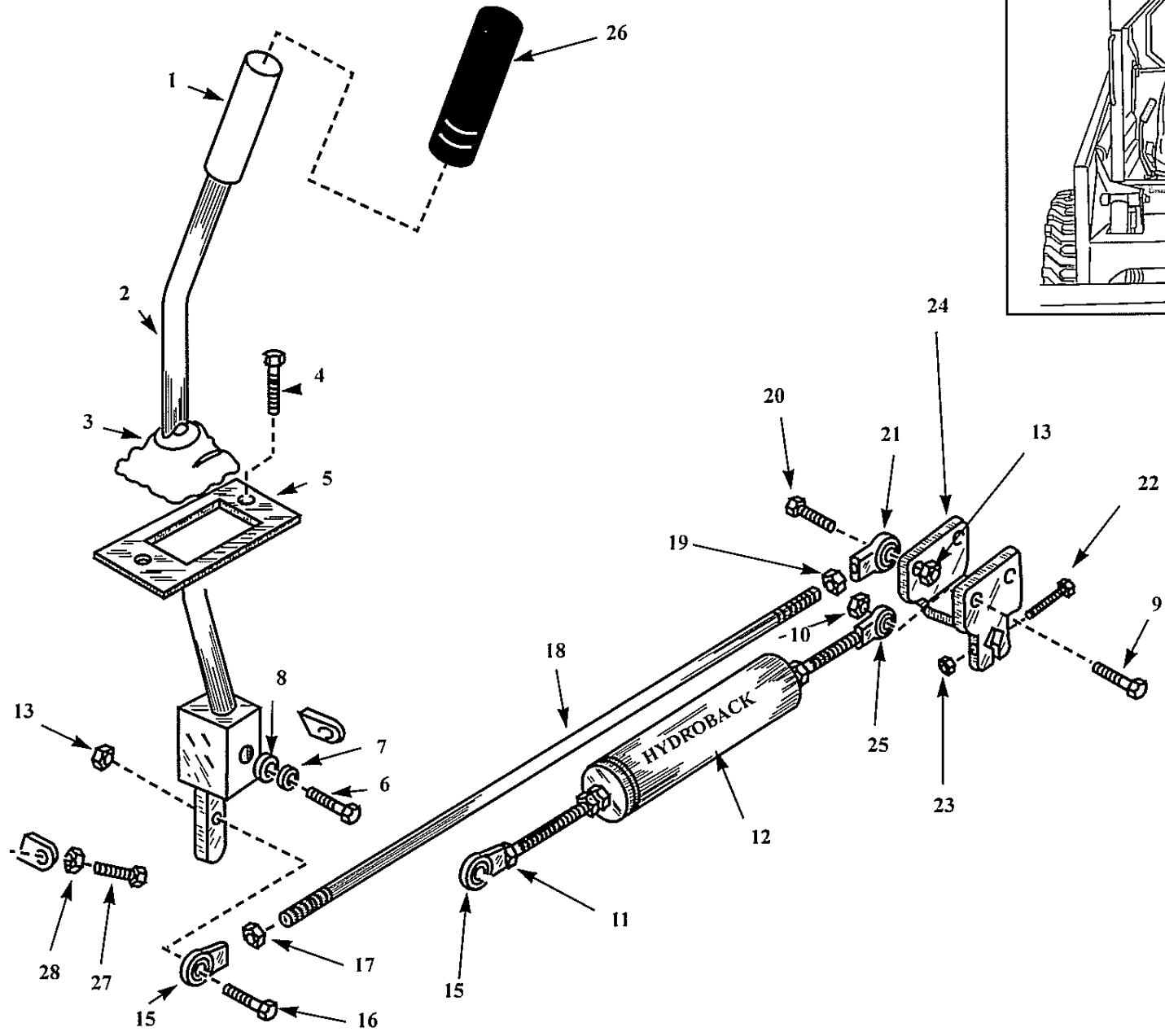
Pos NO.	Part No.	Qty	Description				
1	961303	1	Handle, Lever Assy	34	962227	1	Swivel Assy
2	961290	1	Control Lever (RH)	35	42243	1	Cable
3	30501	1	Boot Assy	36	39837	1	Bolt
4	21907	2	Screw	37	1194	2	Nut
5	42229	1	Cover	38	46122	1	Hydroback Mount <i>(LN000500 onward)</i>
6	35883	1	Rod End	39	21559	4	Hydroback Mount Bolt <i>(LN000500 onward)</i>
7	17421	1	Bolt	40	21029	4	Hydroback Mount Washer <i>(LN000500 onward)</i>
8	35763	1	Pivot Bar				
9	43136	1	Kit, Boot, Control Cable				
10	43384	2	Nut				
11	1642	1	Washer, Flat				
12	1643	1	Washer, Lock				
13	1673	1	Bolt				
14	2279	2	Washer, Lock				
15	17432	2	Nut				
16	43385	1	Nut				
17	42207	1	Rod End				
18	15880	1	Rod End				
19	2003	1	Bolt				
20	43382	1	Spacer (up to LN000500 only)				
21	5406	1	Nut				
22	43375	1	Pintle Linkage, Bar RH				
23	42211	1	Nut				
24	1668	1	Bolt				
25	42208	1	Rod End				
26	16771	1	Nut				
27	1677	1	Bolt				
28	962224	1	Pintle Lever				
29	1672	1	Bolt				
30	7465	1	Nut				
31	962192	1	Hydroback Assy				
32	3189	1	Grip, Lever (LE008500 to LE009221)				
32	43808	1	Grip, Lever (LE009222 onward + 9202, 9211, 9215, 9220)				
*	40960	1	Handle Grip, W / Rocker Switch				
*	38412	2	Switch in Handle (micro)				
33	5896	1	Roll Pin				

Control Lever Hand (LH Side)



Pos	Part	Qty	Description				
1	961303	1	Handle, Lever Assy	35	42243	1	Cable
2	961289	1	Control Lever LH	36	39837	1	Bolt
3	30501	1	Boot	37	1194	2	Nut
4	21907	2	Screw	38	40960	1	Handle Grip, W / Rocker Switch
5	42229	1	Cover	*	38412	2	Switch in Handle (micro)
6	35883	1	Rod End	39	46122	1	Hydroback Mount <i>(LN000500 onward)</i>
7	17421	1	Bolt	40	21559	4	Hydroback Mount Bolt <i>(LN000500 onward)</i>
8	35763	1	Pivot Bar	41	21029	4	Hydroback Mount Washer <i>(LN000500 onward)</i>
9	43136	1	Control Lever, Boot Kit	* 038537- Rocker Switch Boot			
10	43384	1	Nut				
11	1642	1	Washer, Flat				
12	1643	1	Washer, Lock				
13	1673	1	Bolt				
14	2279	2	Washer				
15	17432	2	Nut				
16	43385	1	Nut				
17	42207	1	Rod End				
18	15880	1	Rod End				
19	2003	1	Bolt				
20	43382	1	Spacer (up to LN000500)				
21	5406	1	Nut				
22	43374	1	Pintle Linkage Bar, LH				
23	42211	1	Nut				
24	1668	1	Bolt				
25	42208	1	Rod End				
26	16771	1	Nut				
27	1677	1	Bolt				
28	962224	1	Pintle Lever				
29	1672	1	Bolt				
30	7465	1	Nut				
31	962192	1	Hydroback Assy				
32	3189	1	Grip, Lever (LE008500 to LE009221)				
32	43808	1	Grip, Lever (LE009222 onward + 9202, 9211, 9215, 9220) (LN000101 onward)				
33	5896	1	Roll Pin				
34	962227	1	Swivel Assy				

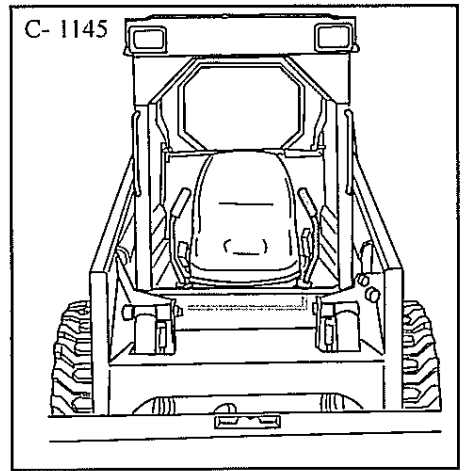
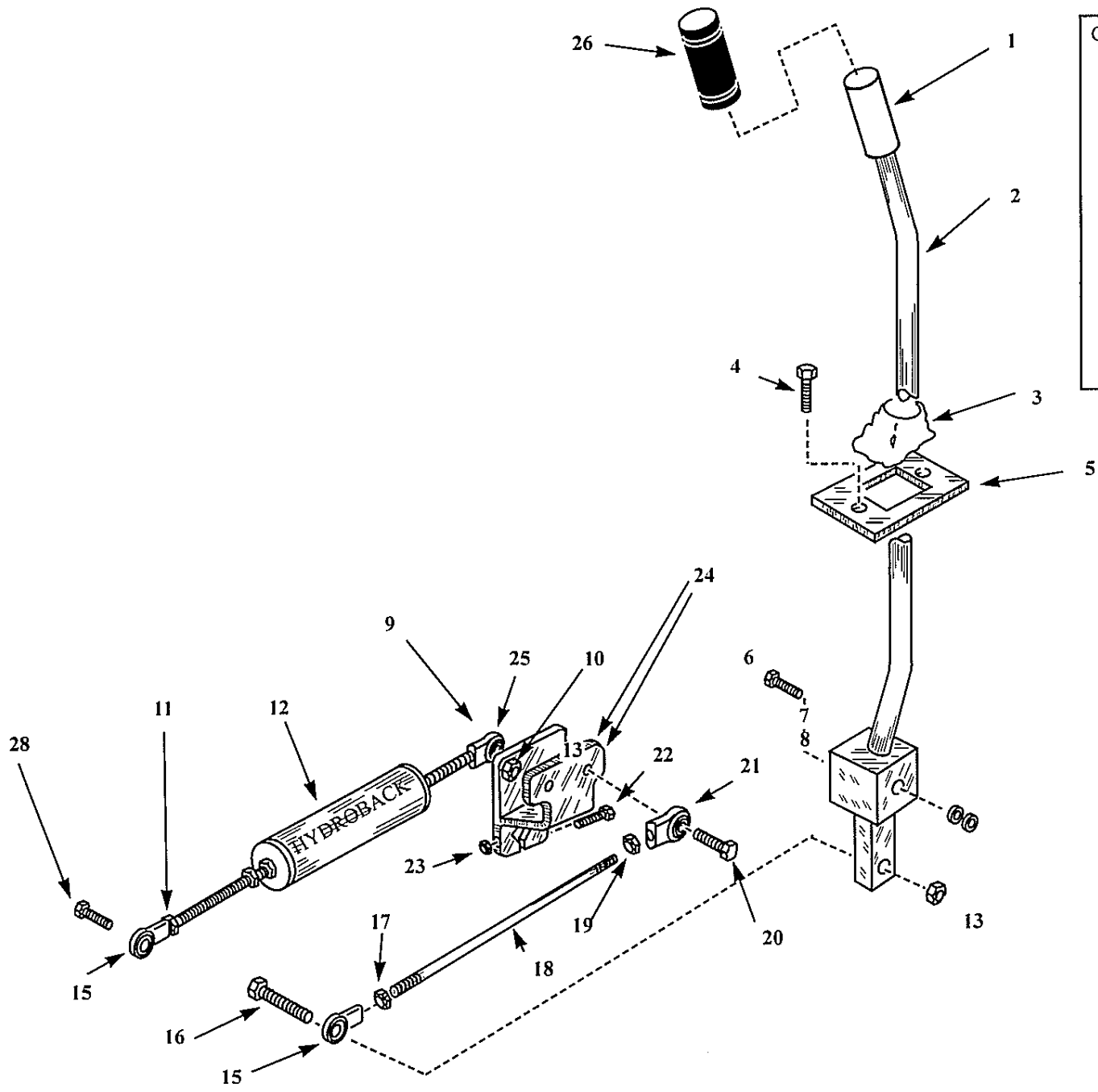




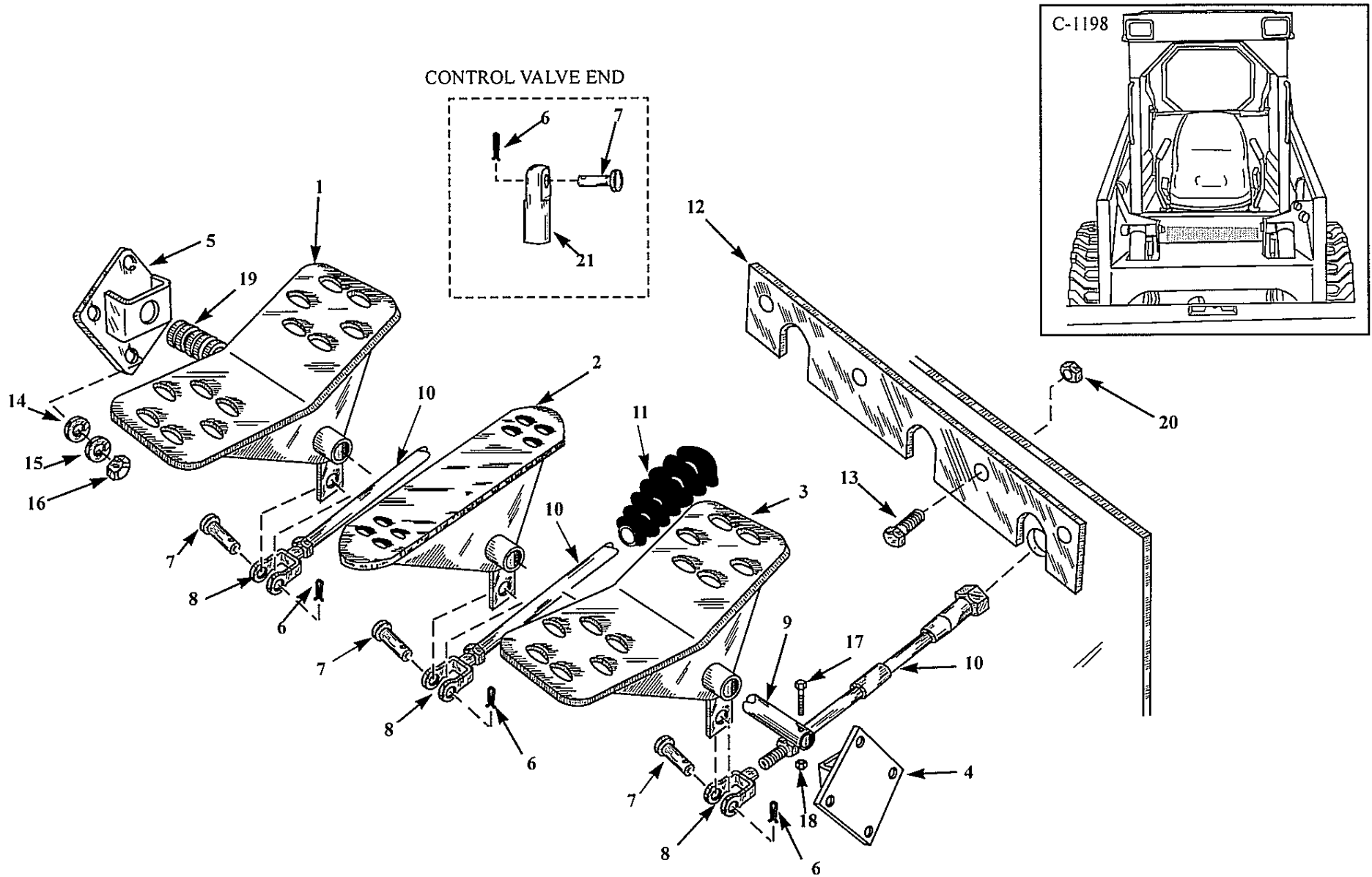
Pos NO.	Part No.	Qty	Description
1	961303	1	Handle, Lever Assy
2	962226	1	Control Lever Assy, RH
3	30501	1	Boot
4	21907	2	Screws
5	42229	1	Cover
6	17421	1	Bolt
7	1642	2	Washer, Flat
8	1643	2	Washer, Lock
9	1672	1	Bolt
10	7465	1	Nut
11	43385	1	Nut
12	962192	1	Hydroback Assy
12	959073	1	Hydroback Assy ( <i>LN000500 onward</i> )
13	43384	2	Nut
14	43382	1	Spacer ( <i>not on LN000500 onward</i> )
15	42207	2	Rod End
16	2003	1	Bolt, 7/16 x 3
16	1667	1	Bolt, 7/16 x 2 1/2 ( <i>LN000500 onward</i> )
17	5406	1	Nut
18	43375	1	Pintle Linkage Bar, RH
19	42211	1	Nut
20	1668	1	Bolt
21	42208	1	Rod End
22	1671	1	Bolt
23	16771	1	Nut
24	962224	1	Pintle Lever ( <i>up to LE000500</i> )
24	963271	1	Pintle Lever, RH ( <i>LE000500 onward</i> )
25	15880	1	Rod End
26	3189	1	Grip, Lever ( <i>LE008500 to LE009221</i> )
26	43808	1	Grip, Lever ( <i>LE009222 onward + 9202, 9211, 9215, 9220</i> ) ( <i>LN000101 onward</i> )
27	39837	1	Bolt
28	1194	1	Nut
29	46122	1	Hydroback Mount ( <i>LN000500 onward</i> )
30	21559	4	Hydroback Mount Bolt ( <i>LN000500 onward</i> )
31	21029	4	Hydroback Mount Washer ( <i>LN000500 onward</i> )

Control Levers (L.H. Side)

2. 4

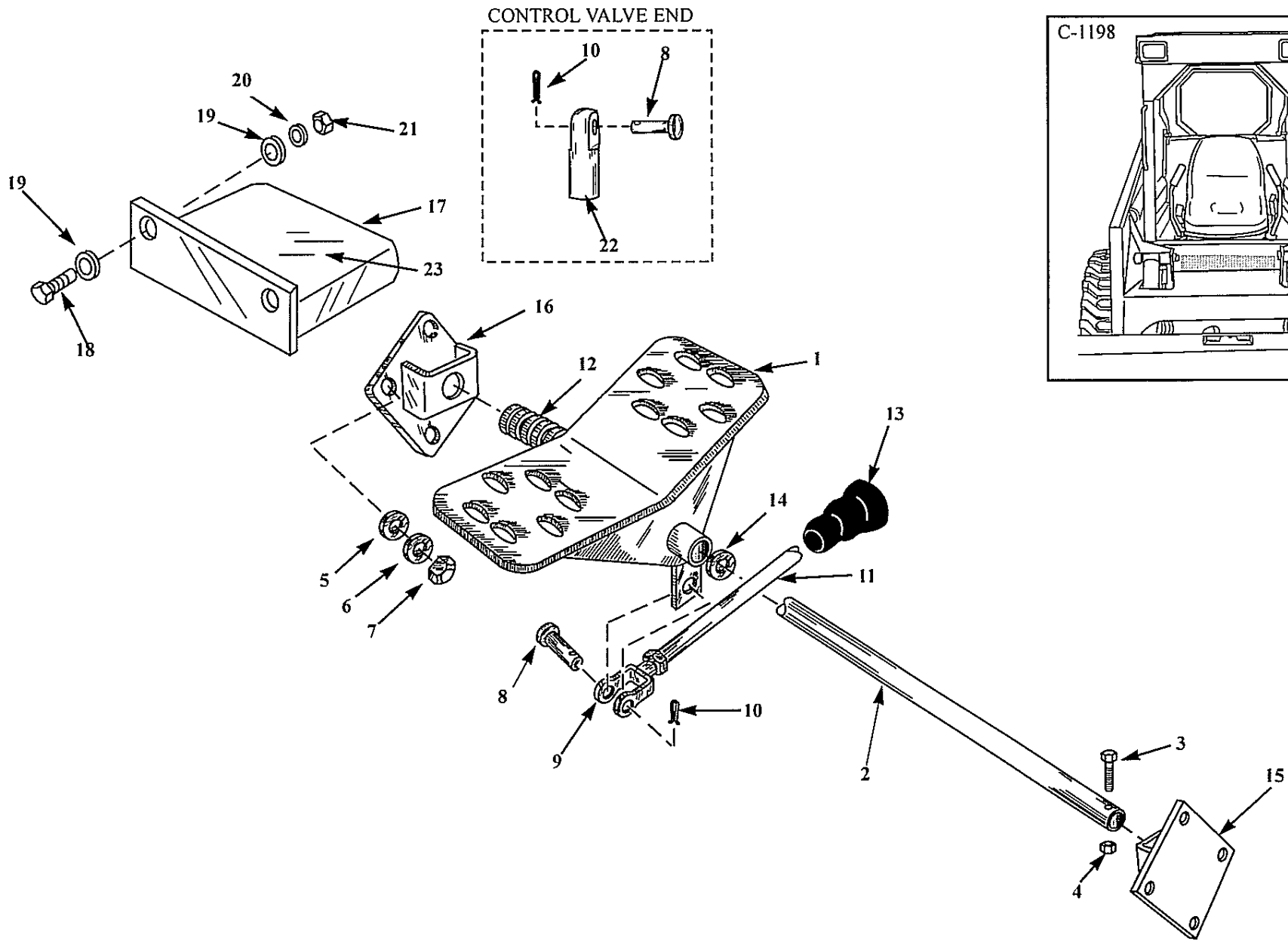


Pos NO.	Part No.	Qty	Description
1	961303	1	Handle, Lever Assy
2	962225	1	Control Lever Assy LH
3	30501	1	Boot
4	21907	2	Screw
5	42229	1	Cover
6	17421	1	Bolt
7	1642	1	Washer, Lock
8	1643	1	Washer, Flat
9	1672	1	Bolt
10	7465	1	Nut
11	43385	1	Nut
12	962192	1	Hydroback Assy
13	43384	2	Nut
14	43382	1	Spacer
15	42207	2	Rod End
16	2003	1	Bolt
17	5406	1	Nt
18	43374	1	Pintle Linkage Bar, LH
19	42211	1	Nut
20	1668	1	Bolt
21	42208	1	Rod End
22	1677	1	Bolt
23	16771	1	Nut
24	962224	1	Pintle Lever <i>(up to LE000500)</i>
24	963272	1	Pintle Lever, LH <i>(LE000500 onward)</i>
25	15880	1	Rod End
26	3189	1	Grip, Lever <i>(LE008500 to LE009221)</i>
26	43808	1	Grip, Lever <i>(LE009222 onward + 9202, 9211, 9215, 9220) (LN000101 onward)</i>
27	46122	1	Hydroback Mount <i>(LN000500 onward)</i>
28	21559	4	Hydroback Mount Bolt <i>(LN000500 onward)</i>
29	21029	4	Hydroback Mount Washer <i>(LN000500 onward)</i>



Pos NO.	Part No.	Qty	Description
1	960806	1	Pedal Assy, Tilt
2	960807	1	Pedal Assy, Aux
3	960805	1	Pedal Assy, Lift
4	961399	1	Axle Cover Assy, LH
5	960937	1	Axle Cover Assy, RH
6	1630	6	Cotter Pin
7	30044	6	Pin, Clevis
8	35884	3	Clevis
9	41189	1	Bar, Foot Pedal Shaft
10	42243	3	Cable, Push / Pull, Booted
11	43136	3	Kit, Boot, Control Cable
12	42941	1	Plate, Cable Mount
13	6081	4	Bolt
14	1651	8	Washer, Flat
15	1870	8	Washer, Lock
16	1191	8	Nut, Hex
17	25589	1	Bolt
18	17432	1	Nut
19	17516	5	Washer
20	16771	4	Nut
21	36487	3	Eyelet
22.	961002	1	Step assembly for electric aux. solenoid models.

# Foot Pedal, Hand Control Unit

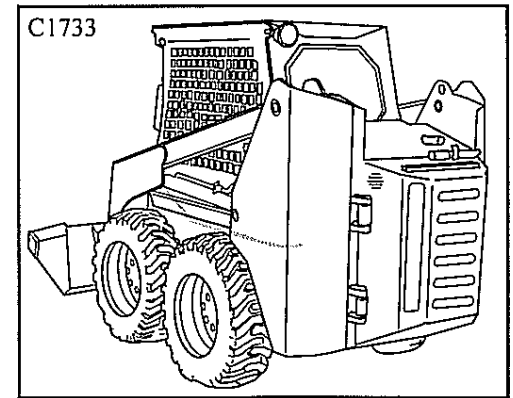
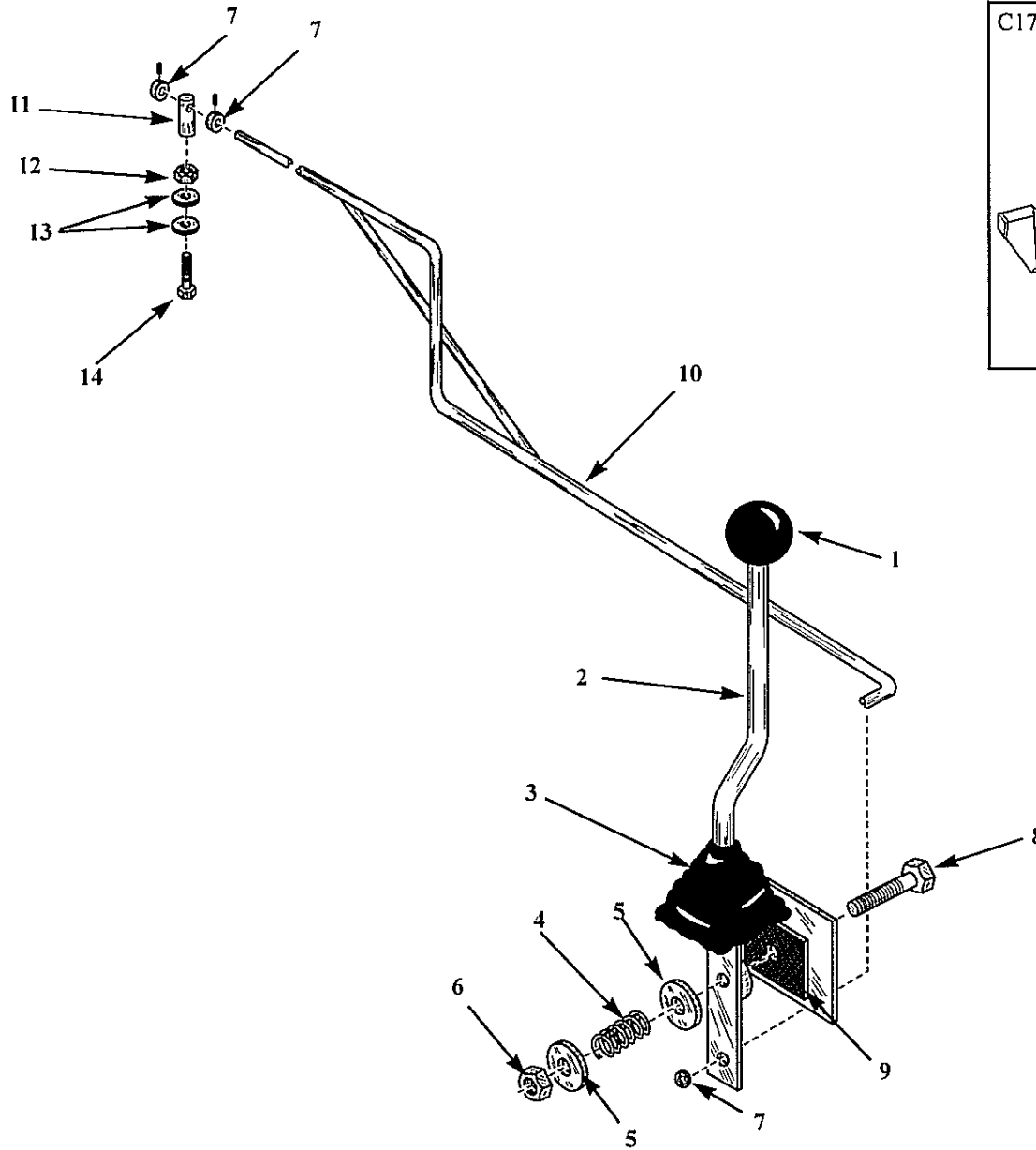


Pos NO.	Part No.	Qty	Description
1	960806	1	Pedal Assy
2	41189	1	Bar, Foot Pedal Shaft
3	25589	1	Bolt
4	17432	1	Nut, Nylock
5	1651	8	Washer, Flat
6	1870	8	Washer, Lock
7	1191	8	Nut, Hex
8	30044	4	Pin, Clevis
9	35884	1	Clevis
10	1630	4	Cotter Pin
11	42243	1	Cable, Push / Pull, Booted
12	17516	5	Washer
13	43136	1	Kit, Boot, Control Cable
14	4842	1	Set Collar
15	961399	1	Axle Cover Assy
16	960937	1	Axle Cover Assy
17	961003	1	Step, Hand Control Assy
18	1387	2	Bolt
19	1643	4	Washer, Flat
20	1642	2	Washer, Lock
21	1194	2	Nut
22	36847	1	Eyelet
23	526	1	Safety Step



# Throttle

2.7

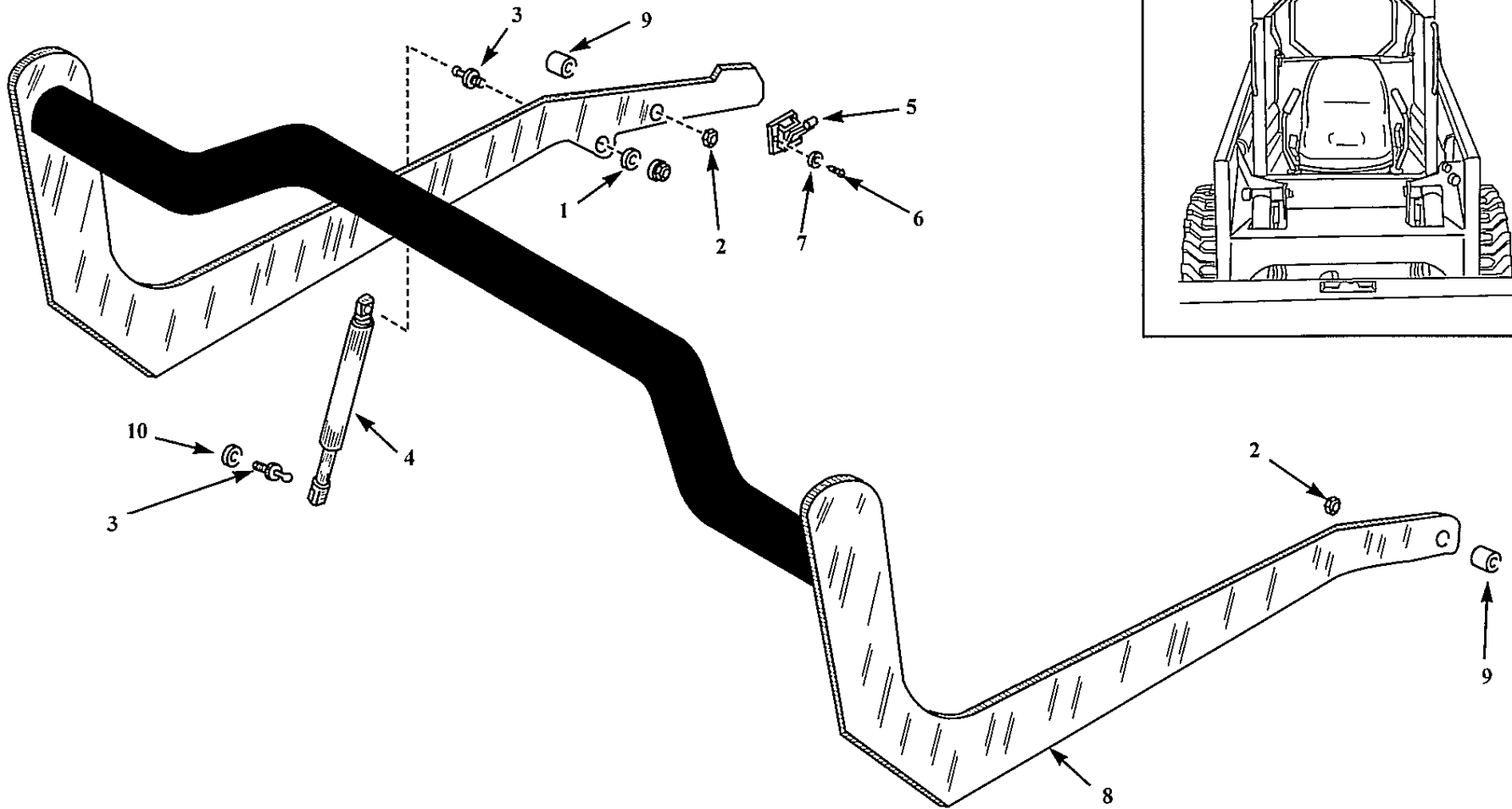


C-1204

Pos NO.	Part No.	Qty	Description
1	38517	1	Knob, Red Ball
2	960571	1	Throttle Handle Assy
3	28982	1	Boot, Throttle Cable
4	7416	1	Spring
5	1643	2	Washer
6	7465	1	Nut, Hex
7	23096	3	Set Collar
8	1671	1	Bolt
9	23371	1	Friction Pad
10	962200	1	Throttle Control Assy
11	31654	1	Bar, Throttle
12	23772	1	Nut, Jam
13	1650	2	Washer, Flat
14	2663	1	Bolt

Restraint Bar

2. 8



C - 1181

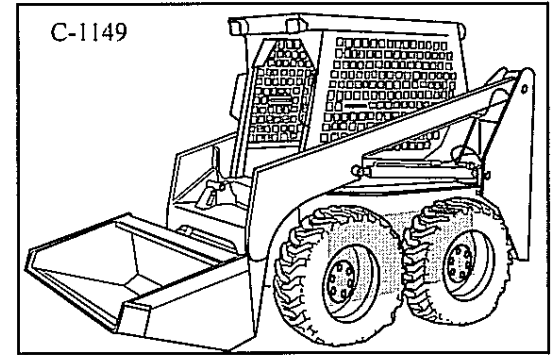
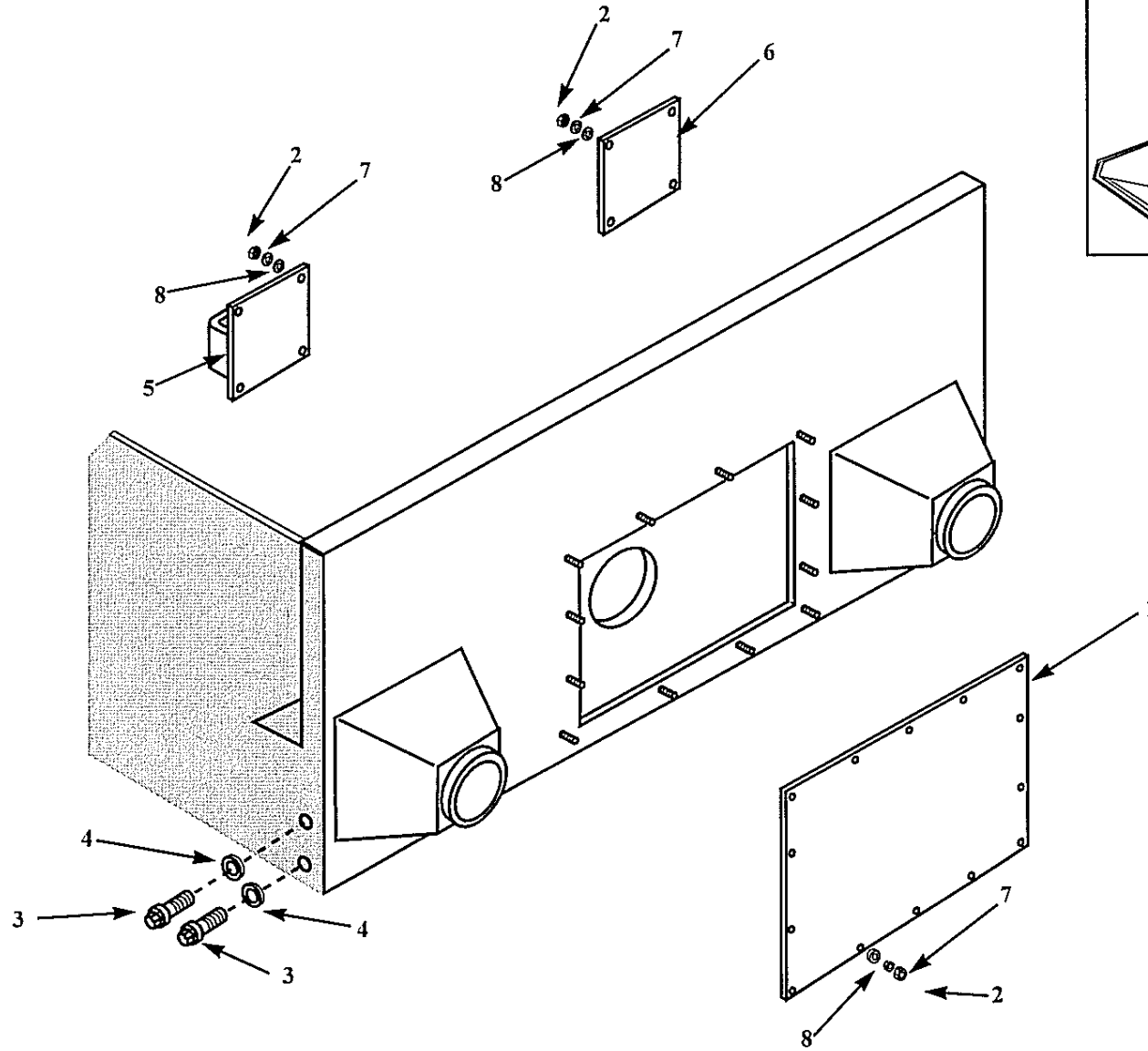
Pos NO.	Part No.	Qty	Description
1	26172	1	Nut, Jam
2	8613	2	Nut, Nylock
3	43005	2	Stud, Ball
4	43004	1	Gas Spring
5	42950	1	Switch, Dual
6	23194	2	Screw
7	2811	2	Washer, Lock
8	962137	1	Restraint Bar Assy
9	40533	2	Spacer
10	1870	1	Lockwasher

**FINAL DRIVE TRANSMISSION 3.**

Transmission Housing.....	3.1
Axle Assembly.....	3.2
Chain Tightener Assy.....	3.3

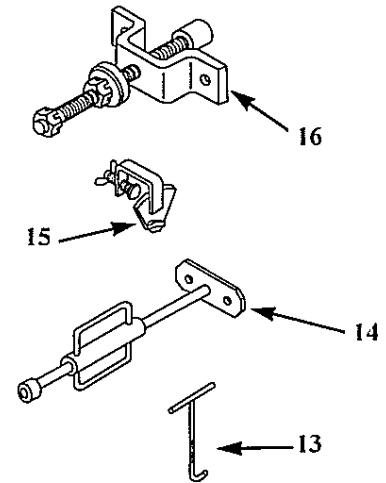
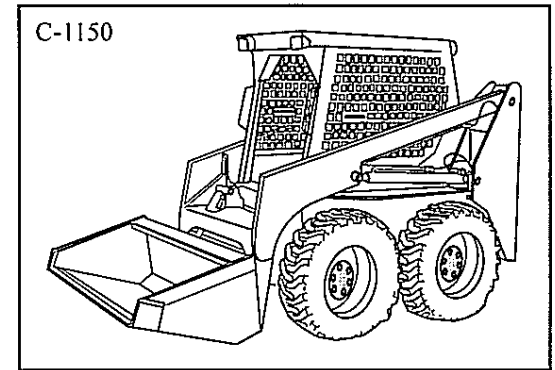
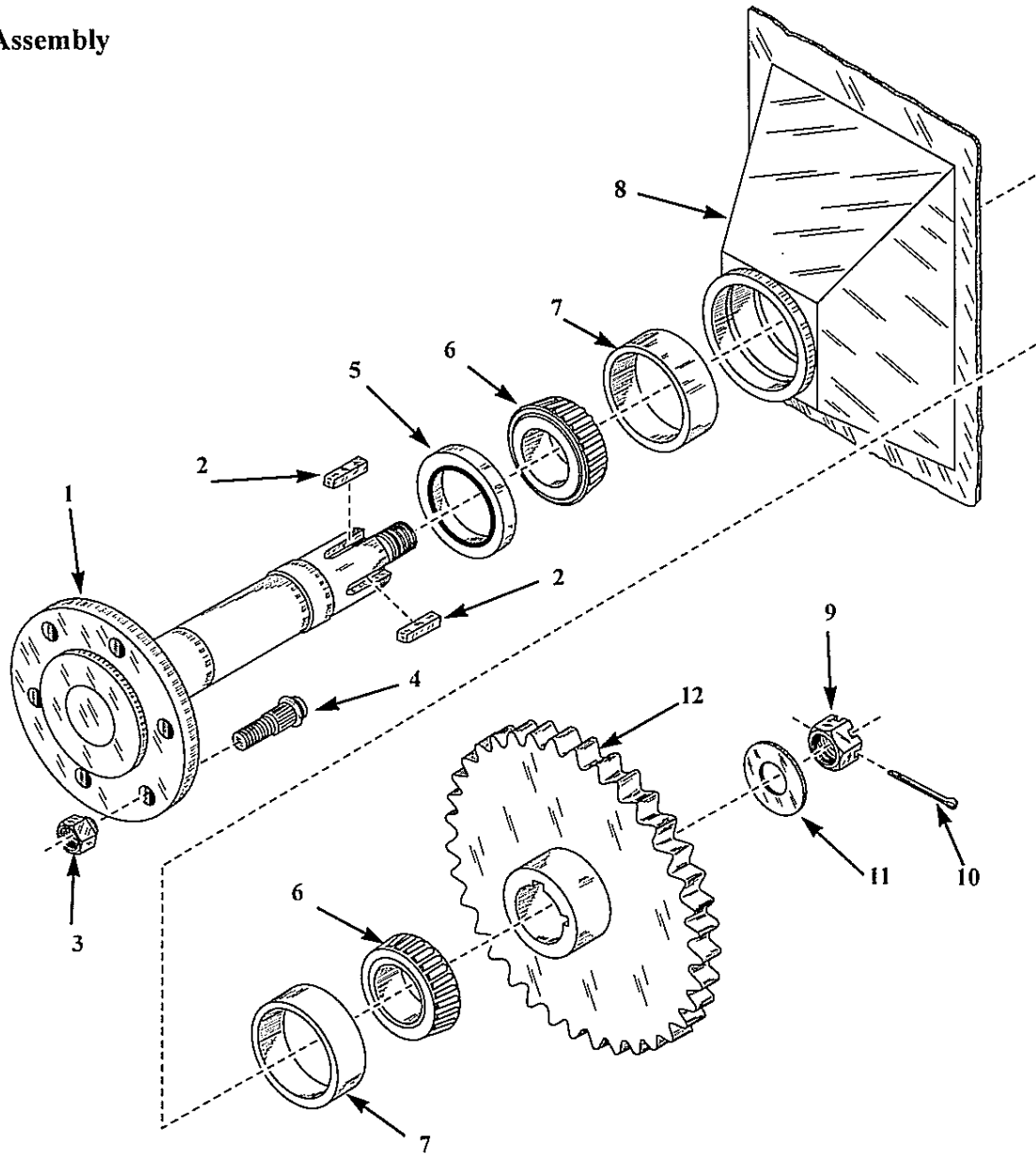
# Transmission Housing

3.1



Pos NO.	Part No.	Qty	Description
1	41178	2	Inspection Cover
2	1191	40	Nut, Hex
3	44357	4	Plug, Hex
4	44358	4	Washer, Nylon
5	960937	1	Axle Cover Assy, RH
5	961399	1	Axle Cover Assy, LH
6	22462	2	Axle Cover Assy, Rear
7	1870	40	Washer, Lock
8	1651	40	Washer, Flat

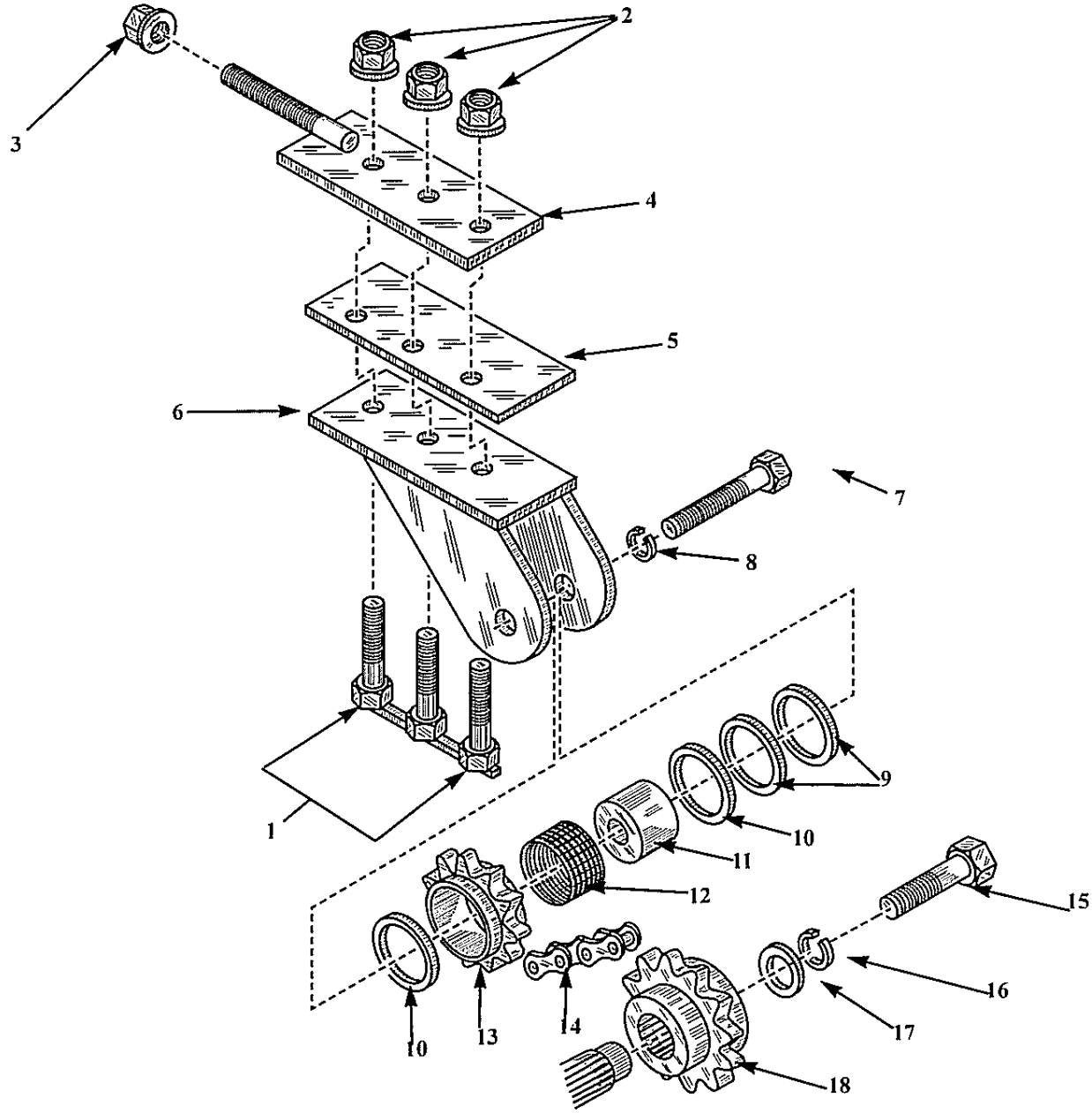
# Axle Assembly





Pos NO.	Part No.	Qty	Description
1	960437	4	Axle Assy
2	22379	8	Key
3	5832	24	Wheel Nut
4	26188	24	Wheel Stud
5	3667	4	Seal
6	3665	8	Bearing
7	5968	8	Bearing Cup
8	958730		Tower, Axle Replacement
9	14877	4	Nut, Castle
10	1634	4	Cotter Pin
11	22448	4	Washer, Axle
12	31058	4	Sprocket
13	960997	1	Chain Tension Tool
14	955283	1	Axle Extractor Tool
15	955281	3	Seal Installation Tool
16	955280	1	Axle Installation Tool

Chain Tightener Assy



Pos NO.	Part No.	Qty	Description
1	954785	2	Tightener, Bolt Assy (W / Nuts) (LE008500 to LE008530)
1	962216	2	Tightener, Bolt Assy (with Nuts) (LE008531 onward) (LN000101 onward)
2	43388	6	Nuts (come with Item #1)
3	33547	2	Nut, Flange
4	954621	2	Chain Tightener Adjuster Assy
5	22467	2	Plate
6	954622	1	LH Mount
6	954623	1	RH Mount
7	23256	2	Bolt
8	23258	2	Washer, Lock
9	24942	4	Spacer, Washer
10	22960	4	Thrust Washer
11	19813	2	Shaft, Idler
12	22950	2	Bearing
13	22302	2	Idler Sprocket
14	23706	1	RH Chain
14	23707	1	LH Chain
15	1193	2	Bolt
16	1642	2	Washer, Lock
17	42546	2	Washer, Flat
18	42371	2	Sprocket

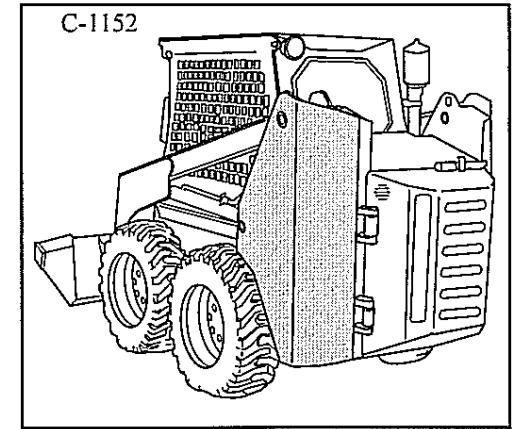
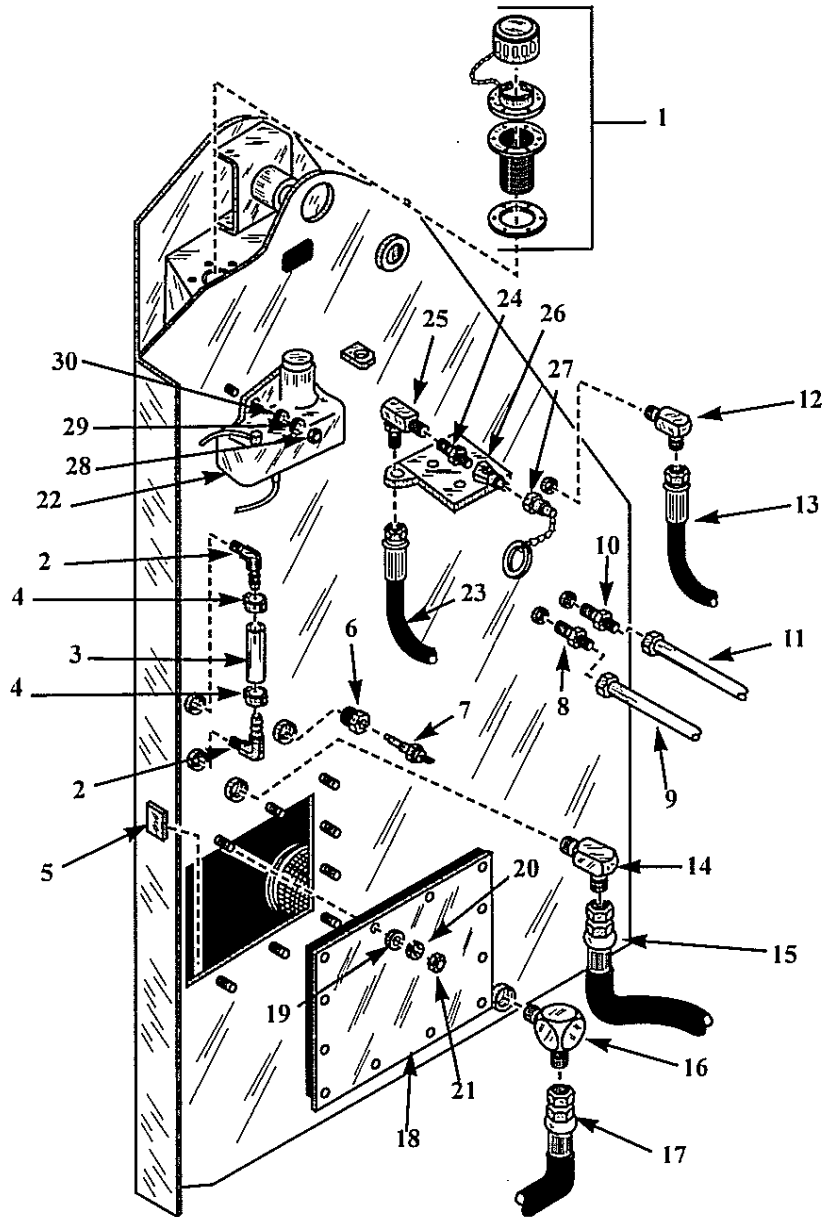
## HYDRAULIC SYSTEM 4.

Oil Reservoir.....	4. 1
Boom Lift Circuit.....	4. 2
Bucket Tilt Circuit.....	4. 3
Auxiliary Hydraulic Circuit.....	4. 4
Control Valve (1).....	4. 5
Control Valve (2) .....	4. 6
Hydraulic Oil Filter.....	4. 7
Lift Cylinder.....	4. 8
Tilt Cylinder.....	4. 9

# Oil Reservoir

(LE008500 to LE008799)

# 4.1

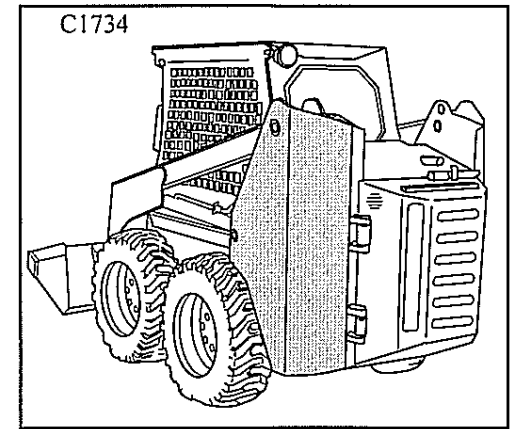
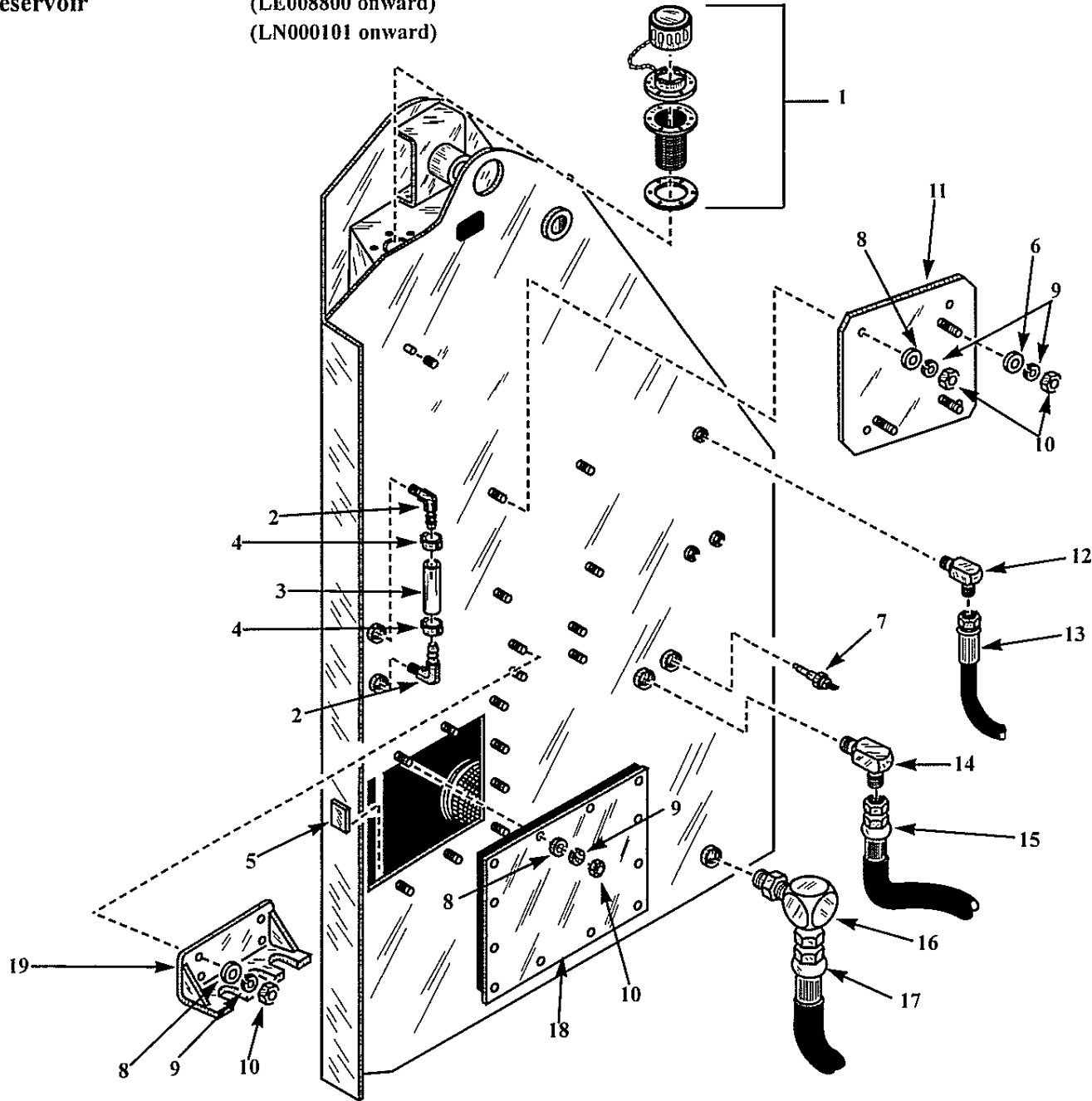


Pos NO.	Part No.	Qty	Description
1	36733	1	Breather, Filler Cap Assy
2	34903	2	Elbow
3	698	1	Sight Glass
4	34919	2	Clamp
5	32478	1	Magnet
6	37209	1	Reducer
7	37206	1	Temperature Sender
8	38562	1	Connector
9	37821	1	Tube, Hydraulic
10	39041	1	Connector
11	37819	1	Tube, Hydraulic
12	21701	1	Elbow
13	962115	1	Hose, Hydraulic
14	19235	1	Elbow
15	962111	1	Hose, Hydraulic
16	38652	1	Elbow
17	962106	1	Hose, Hydraulic
18	22381	1	Inspection Cover
19	1651	12	Washer, Flat
20	1870	12	Washer, Lock
21	1191	12	Nut
22	42737	1	Overflow Tank
23	962118	1	Hose, Hydraulic
24	43202	1	Adapter
25	38390	1	Connector
26	43128	1	Coupling
27	43130	1	Dust Plug
28	1191	2	Nut
29	1870	2	Washer, Lock
30	1650	2	Washer, Flat

\* 014898 Suction Filter, In Tank

# Oil Reservoir

(LE008800 onward)  
(LN000101 onward)



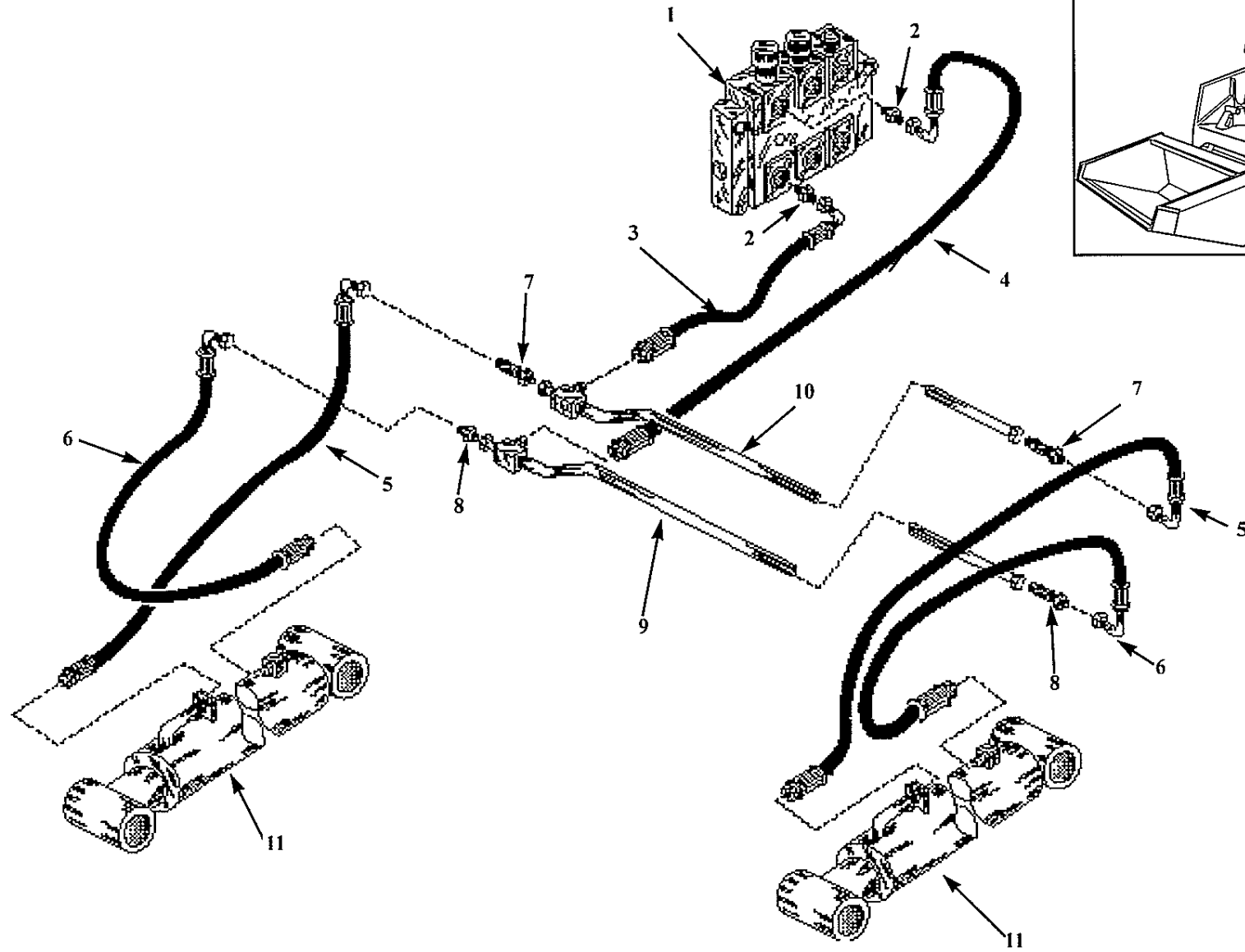
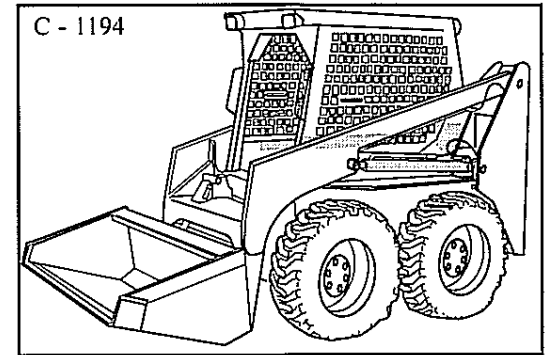
Pos NO.	Part No.	Qty	Description
1	36733	1	Breather, Filler Cap Assy
2	34903	2	Elbow
3	698	1	Sight Glass
4	34919	2	Clamp
5	32478	1	Magnet
6	43192	3	Spacer
7	37206	1	Temperature Sender
8	1651	20	Washer, Flat
9	1870	23	Washer, Lock
10	1191	23	Nut
11	962099	1	Valve Mount
12	21701	1	Elbow
13	962629	1	Hose, Hydraulic
14	19235	1	Elbow
15	962111	1	Hose, Hydraulic
16	38652	1	Elbow
17	962106	1	Hose, Hydraulic
18	22381	1	Inspection Cover
19	962338	1	Cable, Bulkhead
*	43902	8	Lockwasher, Ext Tooth

\* 014898 Suction Filter, In Tank

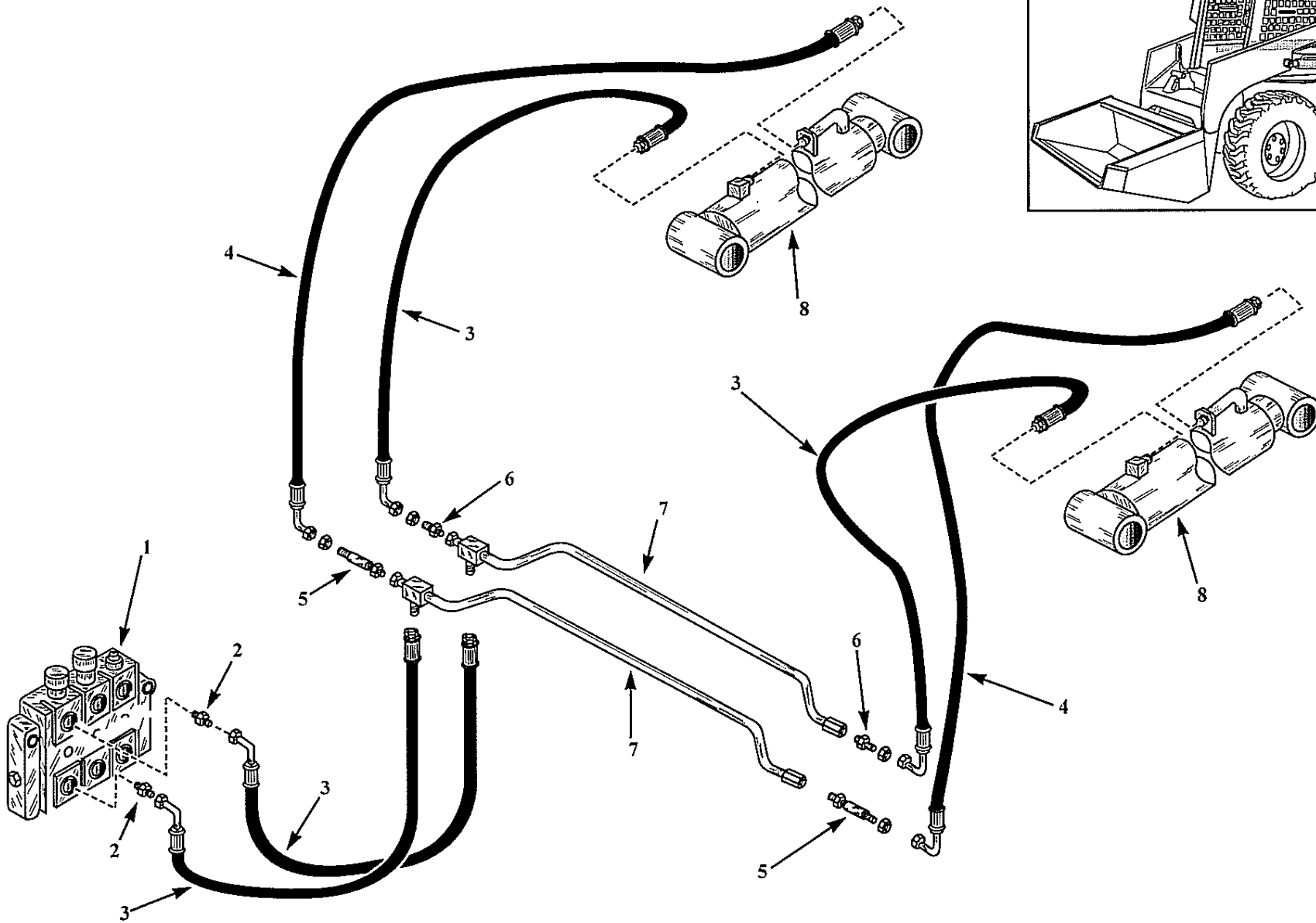
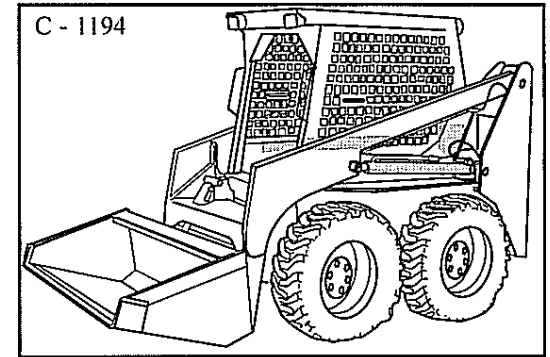


Boom Lift Circuit

(LE008500 to LE008799)



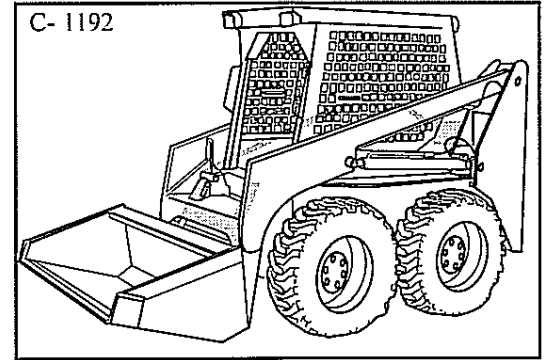
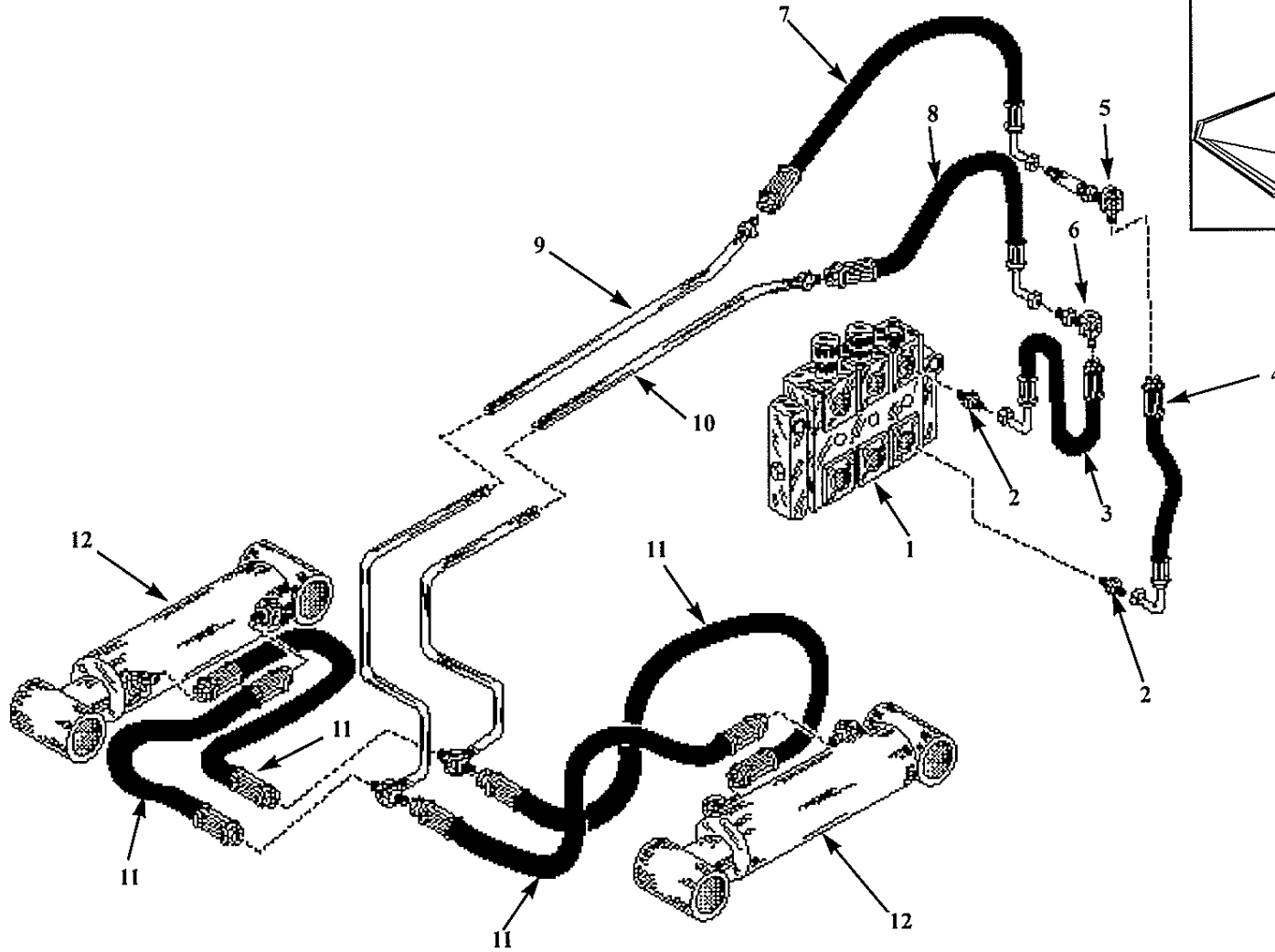
Pos NO.	Part No.	Qty	Description
1	44341	1	Valve Hyd. Assy, W / Locks
1	44342	1	ValveHyd. Assy W / Elect. Aux.
1	44433	1	ValveHyd. Assy, Hand Control St.
1	44434	1	Valve Hyd. Assy, Hand Control Elec. Aux.
	43198	1	Restrictor installed in Lift Bottom Port #2 Position
2	20182	2	Connector
3	962120	1	Hose, Hyd.
4	962119	1	Hose, Hyd.
5	960946	2	Hose, Hyd.
6	960945	2	Hose, Hyd.
7	38562	2	Connector
8	39041	2	Connector
9	37819	1	Tube Assy
10	37821	1	Tube Assy
11	39980	2	Lift Cylinder, Complete
11	39981	2	Lift Cylinder, Heavy Duty (LE009000 onward) (LN000101 onward) (Optional on LE008500 to LE008799)



Pos NO.	Part No.	Qty	Description
1	44341	1	Valve Hyd. Assy, W / Locks
1	44342	1	ValveHyd. Assy W / Elect. Aux.
1	44433	1	ValveHyd. Assy, Hand Control St.
1	44434	1	Valve Hyd. Assy, Hand Control Elec. Aux.
	43198	1	Restrictor installed in Lift Bottom Port #2 Position
2	20182	2	Connector
3	960945	4	Hose, Hyd.
4	960946	2	Hose, Hyd.
5	38562	2	Connector
6	39041	2	Connector
7	37819	2	Tube Assy
8	39980	2	Lift Cylinder, Complete
8	39981	2	Lift Cylinder, Heavy Duty (LE009000 onward) (LN000101 onward)

Bucket Tilt Circuit (LE008500 to LE008799)

4.3

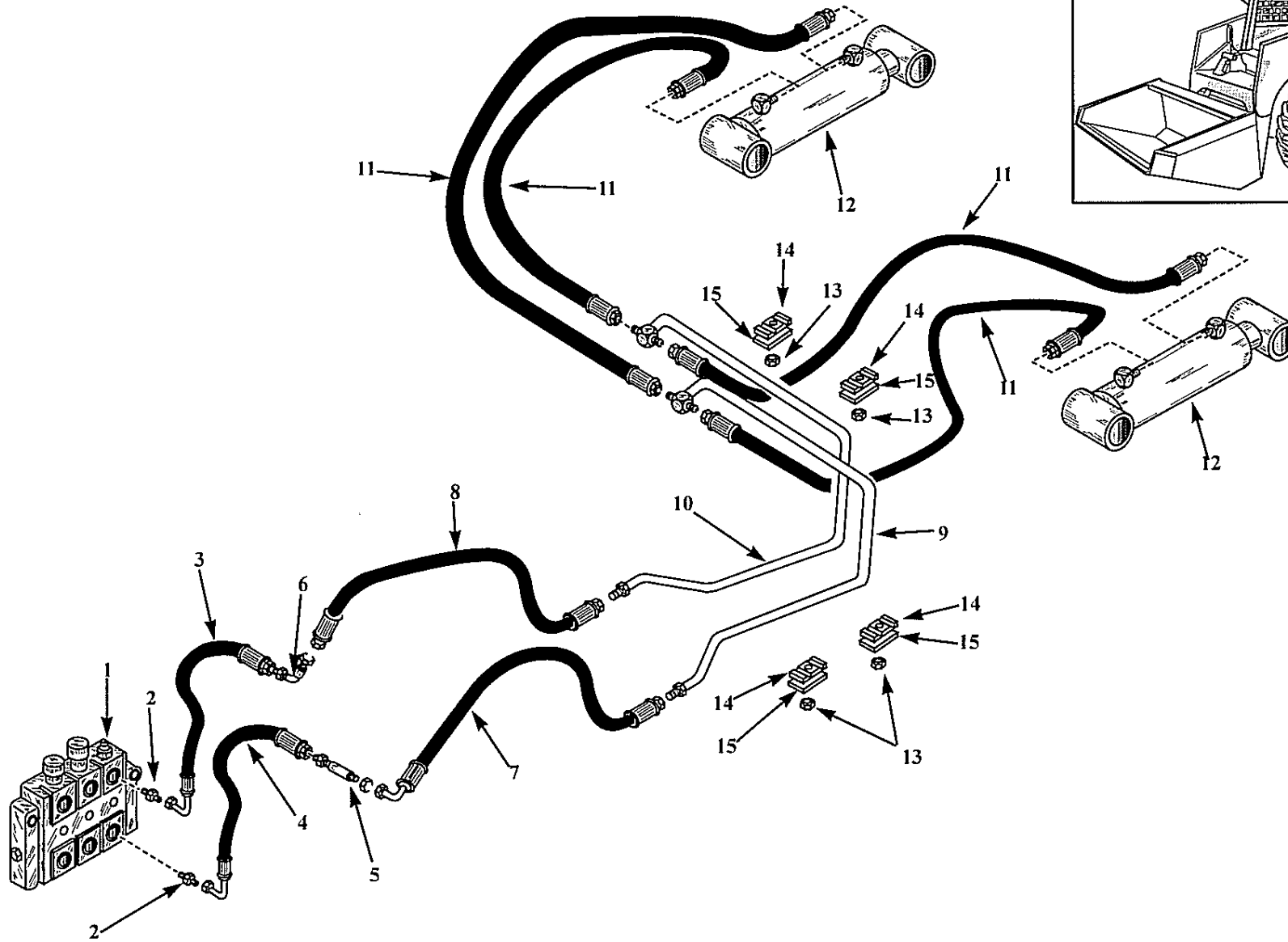
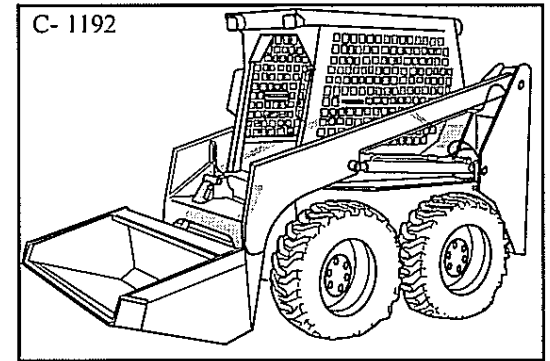


Pos NO.	Part No.	Qty	Description
1	44341	1	Valve Hyd. Assy, W / Locks
1	44342	1	ValveHyd. Assy W / Elect. Aux.
1	44433	1	ValveHyd. Assy, Hand Control St.
1	44434	1	Valve Hyd. Assy, Hand Control Elec. Aux.
2	20182	2	Connector
3	962123	1	Hose, Hydraulic
4	962124	1	Hose, Hydraulic
5	38563	1	Connector, Bulkhead 90 deg.
6	39042	1	Connector, Bulkhead 90 deg.
7	960948	1	Hose, Hydraulic
8	940947	1	Hose, Hydraulic
9	23356	1	Tube Assy
10	23355	1	Tube Assy
11	961245	4	Hose, Hydraulic
12	39982	2	Tilt Cylinder

# Bucket Tilt Circuit

(LE008800 onward) (LN000101 onward)

4.3



C-1191

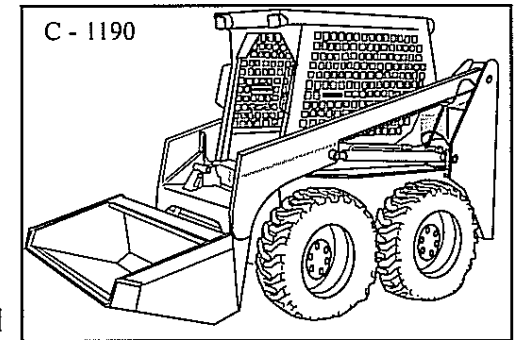
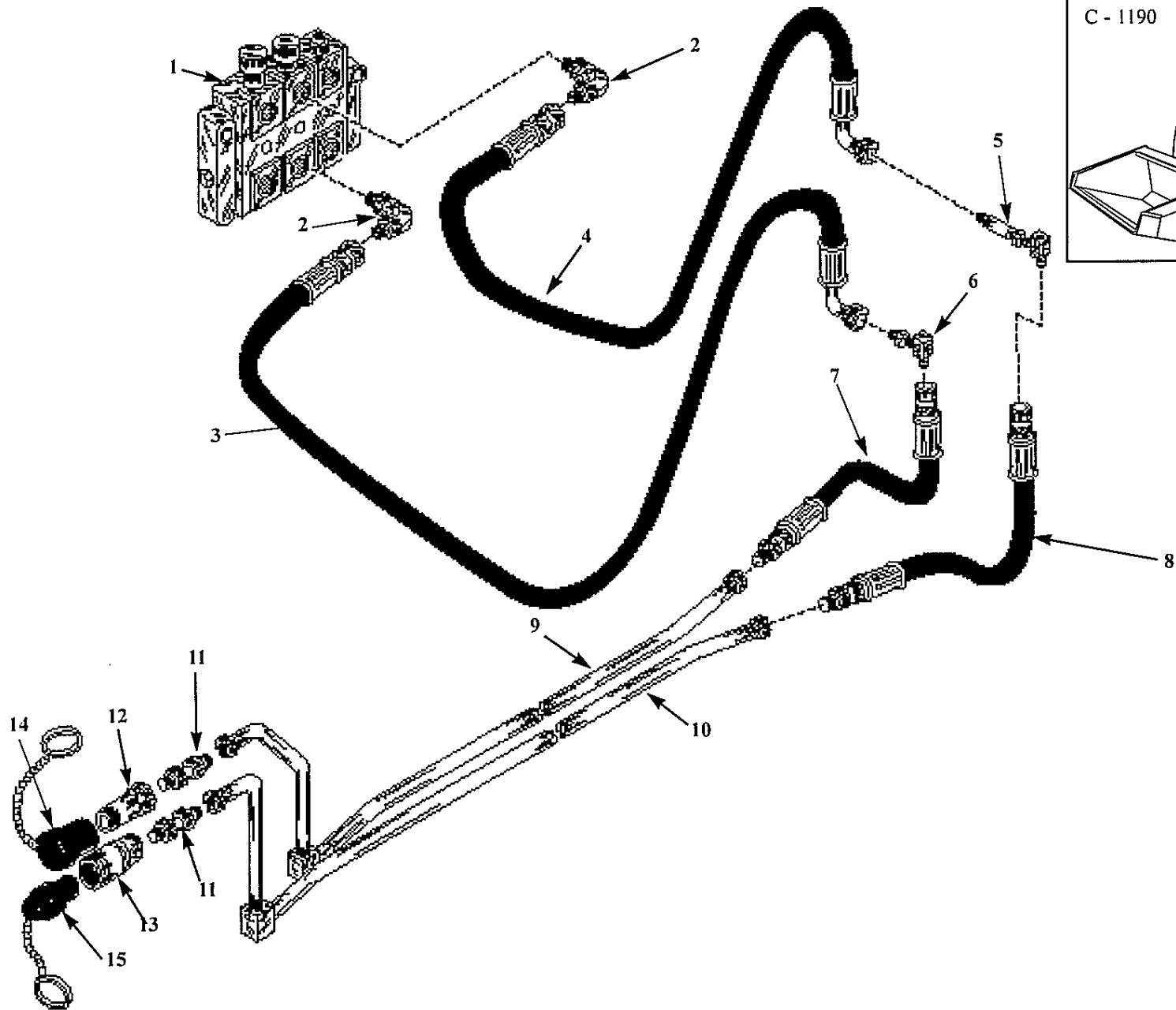
Pos NO.	Part No.	Qty	Description
1	44341	1	Valve Hyd. Assy, W / Locks
1	44342	1	ValveHyd. Assy W / Elect. Aux.
1	44433	1	ValveHyd. Assy, Hand Control St.
1	44434	1	Valve Hyd. Assy, Hand Control Elec. Aux.
2	20182	2	Connector
3	962366	1	Hose, Hydraulic
4	962367	1	Hose, Hydraulic
5	38562	1	Connector, Bulkhead
6	39042	1	Connector, Bulkhead 90 deg.
7	960948	1	Hose, Hydraulic
8	962399	1	Hose, Hydraulic
9	23356	1	Tube Assy
10	23355	1	Tube Assy
11	961245	4	Hose, Hydraulic
12	39982	2	Tilt Cylinder
13	16771	4	Nut
14	38302	4	Tubing Clamp
15	38472	4	Plate, Cover Twin



Auxiliary Hydraulic Circuit

(LE008500 to LE008799)

4.4

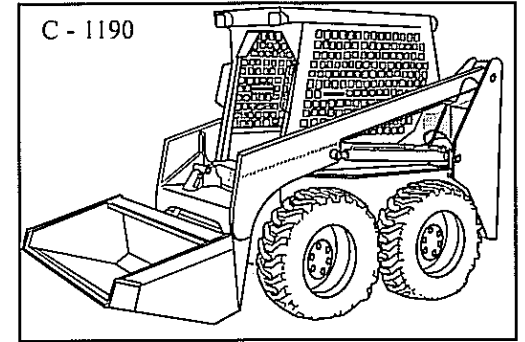
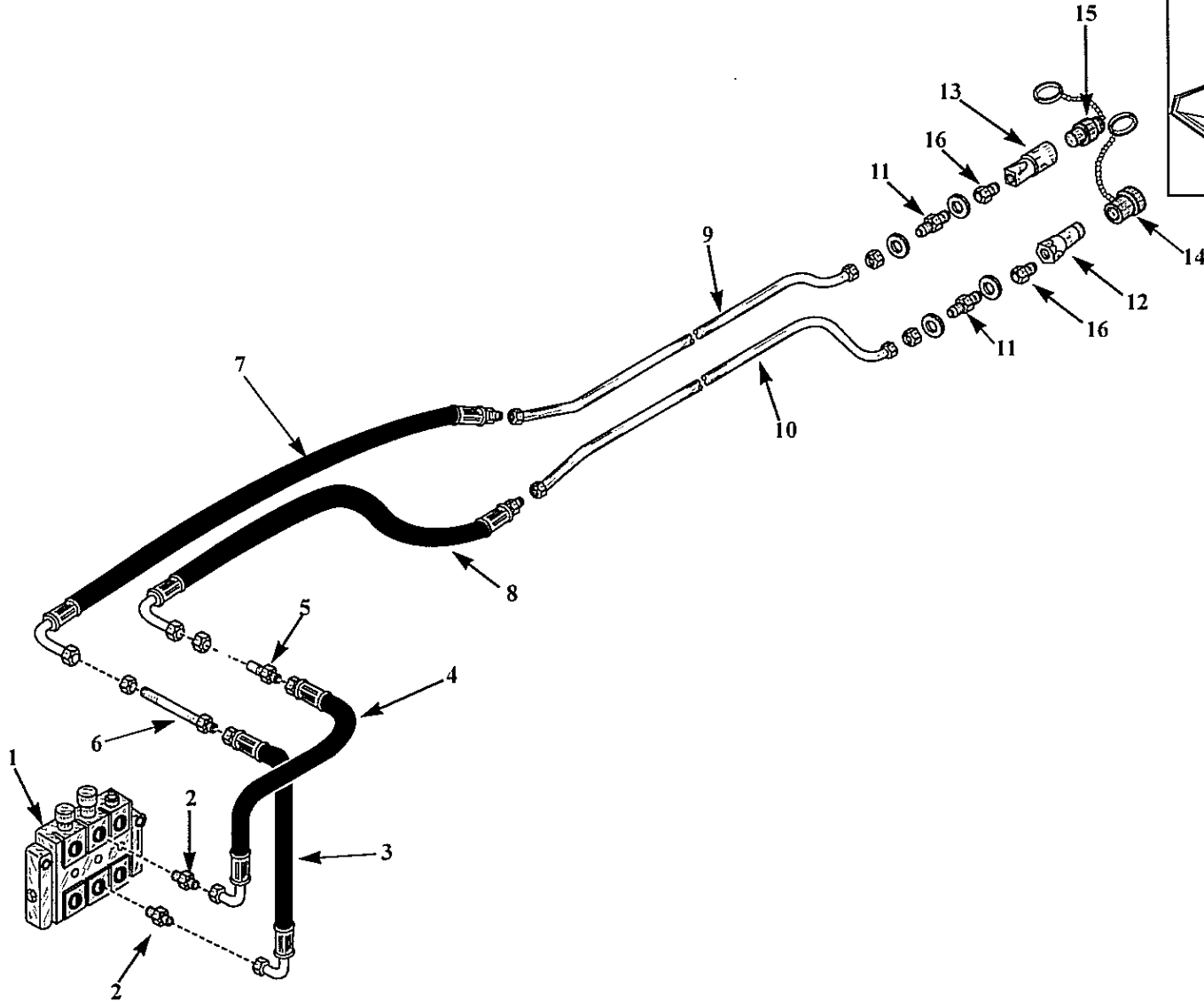


Pos NO.	Part No.	Qty	Description
1	44341	1	Valve Hyd. Assy, W / Locks
1	44342	1	ValveHyd. Assy W / Elect. Aux.
1	44433	1	ValveHyd. Assy, Hand Control St.
1	44434	1	Valve Hyd. Assy, Hand Control Elec. Aux.
1	44342	1	Valve Hyd. Assy, Hand Control Elec. Aux.
2	20194	2	Elbow
3	962122	1	Hose, Hydraulic
4	962121	1	Hose, Hydraulic
5	39042	1	Elbow
6	38563	1	Elbow, Long
7	960947	1	Hose, Hydraulic
8	960948	1	Hose, Hydraulic
9	29478	1	Tube, Hydraulic
10	35388	1	Tube, Hydraulic
11	30323	2	Connector, Bulkhead
12	1803	1	Coupling, Male
13	6608	1	Coupling, Female
14	7667	1	Cover, Male Coupling
15	7124	1	Cover, Female Coupling

Auxiliary Hydraulic Circuit

(LE008800 onward) (LN000101 onward)

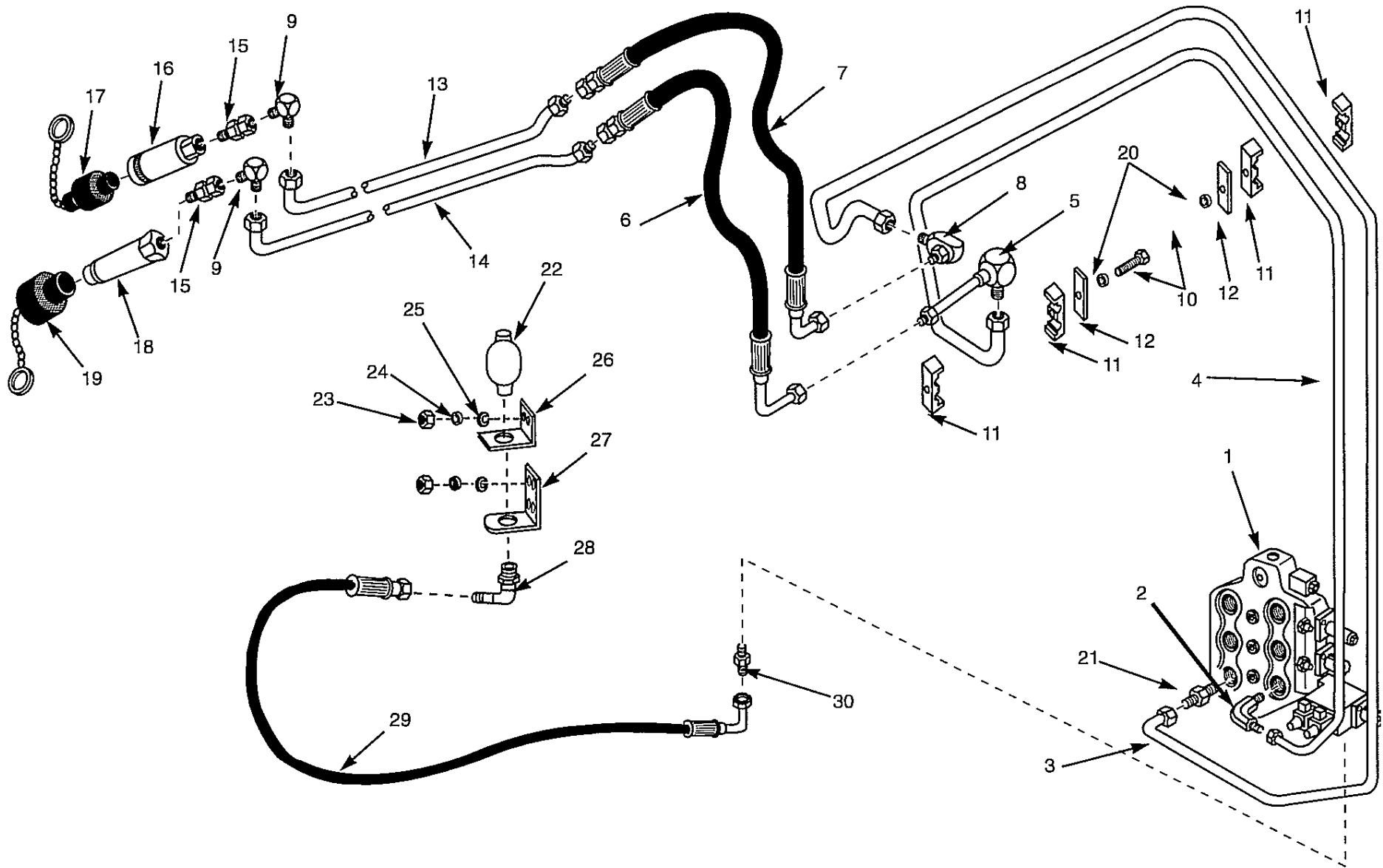
4. 4 B



Pos NO.	Part No.	Qty	Description
1	44341	1	Valve Hyd. Assy, W / Locks
1	44342	1	ValveHyd. Assy W / Elect. Aux.
1	44433	1	ValveHyd. Assy, Hand Control St.
1	44434	1	Valve Hyd. Assy, Hand Control Elec. Aux.
1	46126	1	Valve Hyd. Assy, Hand Control Elec. Aux.
2	20182	2	Elbow
3	962119	1	Hose, Hydraulic
4	962080	1	Hose, Hydraulic
5	39042	1	Connector, Bulkhead
6	38562	1	Connector, Bulkhead, Long
7	962399	1	Hose, Hydraulic
8	960948	1	Hose, Hydraulic
9	29478	1	Tube, Hydraulic
10	35388	1	Tube, Hydraulic
11	30323	2	Connector, Bulkhead
12	1803	1	Coupling, Male
13	6608	1	Coupling, Female
14	7667	1	Cover, Male Coupling
15	7124	1	Cover, Female Coupling
16	6798	2	Bushing, Reducer (LE008500 to LE009167)
16	15628	2	Bushing, Reducer (LE009168 onward)

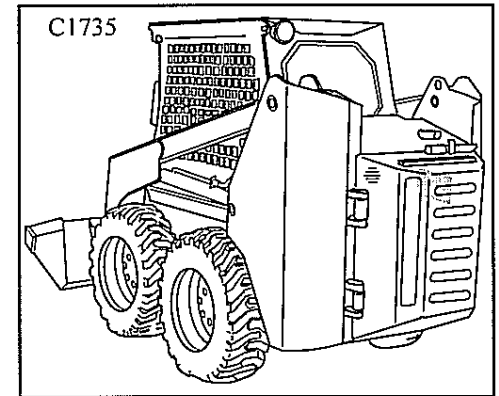
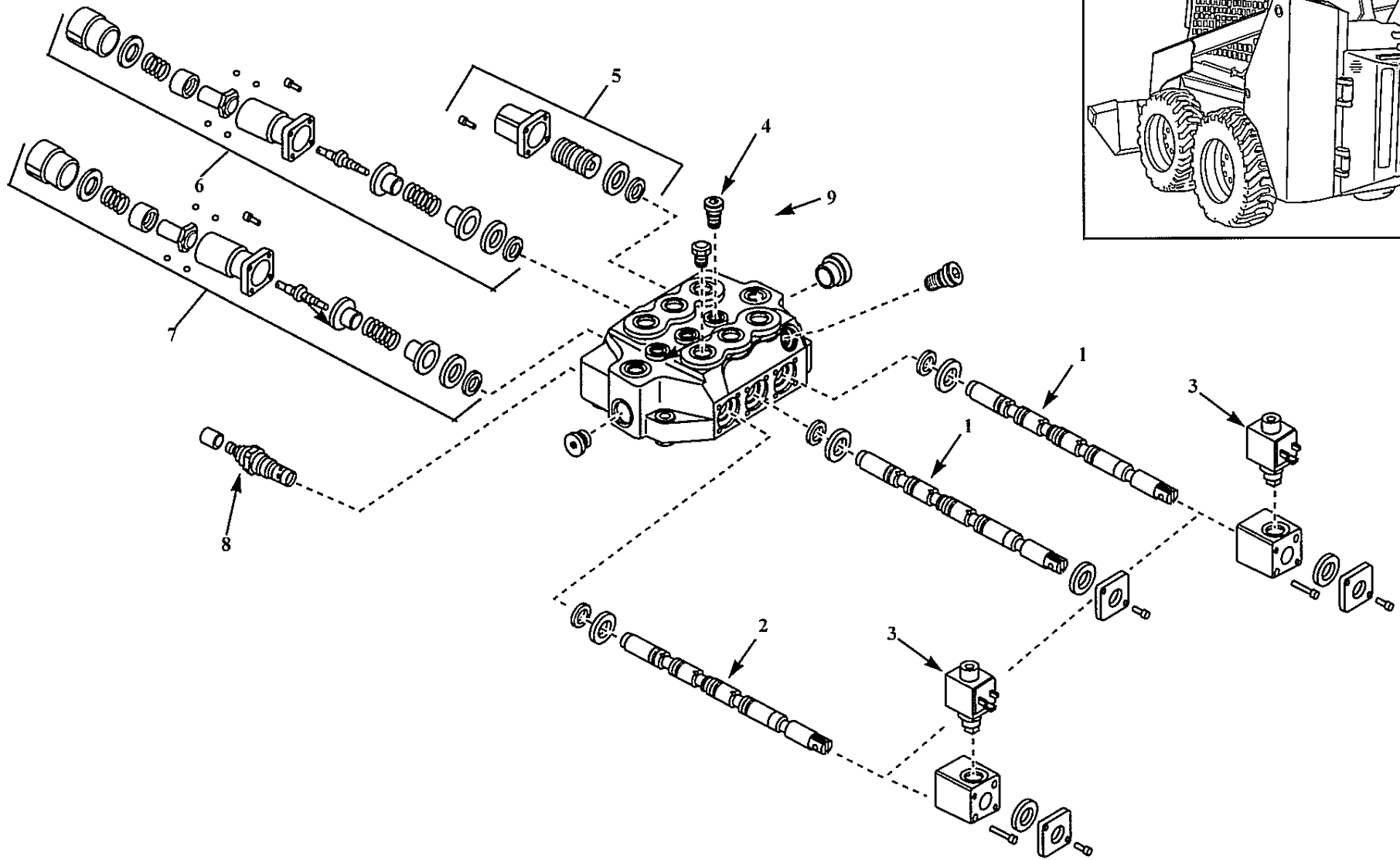
# AUXILIARY CIRCUIT WITH ACCUMULATOR (S/N LN000500 onward)

4.4 C



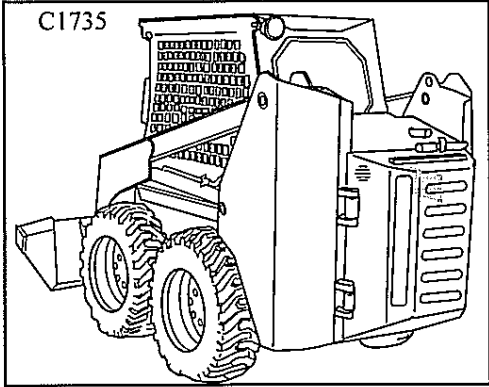
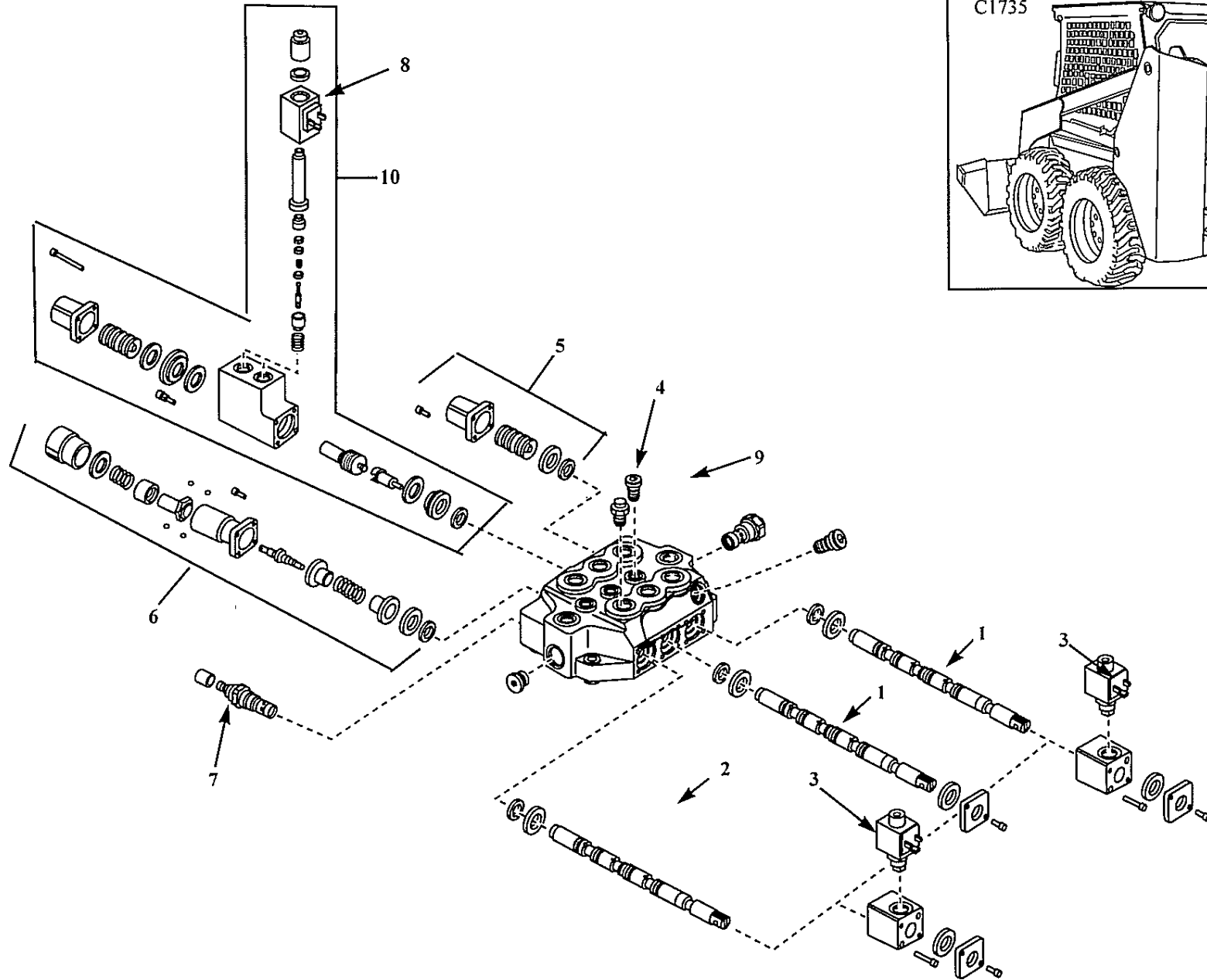
Pos NO.	Part No.	Qty.	Description
1.	***	1	Control valve, see section 4.9
2.	19232	1	Elbow, 90°
3.	44674	1	Tube, valve front port to front bulkhead
4.	44675	1	Tube, valve rear port to rear bulkhead
5.	43536	2	Bulkhead connector, long 90°
*	43903	2	Internal star washer (used on bulkheads)
6.	961760	1	Hose, outside to rear bulkhead
7.	961761	1	Hose, inside to front bulkhead
8.	33831	1	Bulkhead connector, 90°
9.	22280	2	Elbow, 90°
10.	1678	2	Bolt
11.	38303	4	Clamp
12.	38472	2	Cover for clamp
13.	42089	1	Tube, inside auxiliary
14.	43571	1	Tube, Outside auxiliary
15.	29437	2	Bulkhead connector, straight
16.	6608	1	female quick coupler
17.	7124	1	Plug for female quick coupler
18.	1803	1	Male quick coupler
19.	7667	1	Cap for male quick coupler
20.	1870	2	Lock washer
21.	19226	1	Connector, straight
22.	46118	1	Accumulator, diaphragm (LN000500 onward)
23.	1191	4	Nut, hex 5/16"
24.	1870	4	Washer, lock 5/16"
25.	1651	4	Washer, flat 5/16"26
26.	46165	1	Sheet accum mount top (LN000256)
27.	46116	1	Sheet accum mount bottom(LN000256)
28.	21128	1	Elbow, 90 deg. str. thd. 6 9/16" JIC max8 3/4" ORB M must be forged
29.	963293	2	Hydraulic hose 1/4"x 35-1/2" M3K 6 9/16" JIC F-SW X 7/16" J
30.	30266	1	Connector 4 7/16" JIC MX4 7/16" ORB

Control Valve (1)



Pos NO.	Part No.	Qty	Description
	44341	1	Valve, Hyd. W / Locks
1	44433	1	Valve Hyd. Assy, Hand Control St.
	43811	1	Seal Kit
1	43730	2	Spool, Aux and Tilt
2	43731	1	Spool, Lift
3	43724	2	Coil, Solenoid Lock Assy
4	43722	1	Valve, Check
5	43729	1	Kit, Centering , Tilt Spool W / Cap
6	43725	1	Kit, Detente, Aux.
7	43728	1	Kit, Centering W / Detente and Cap
8	43721	1	Valve, Main Relief
9	43198	1	Restrictor

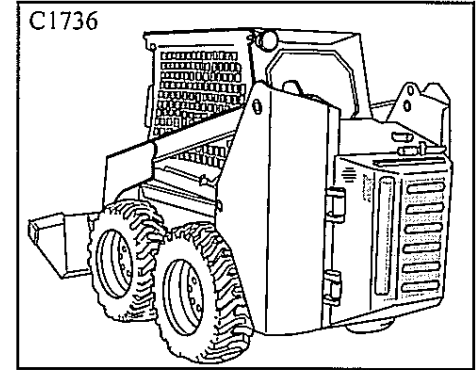
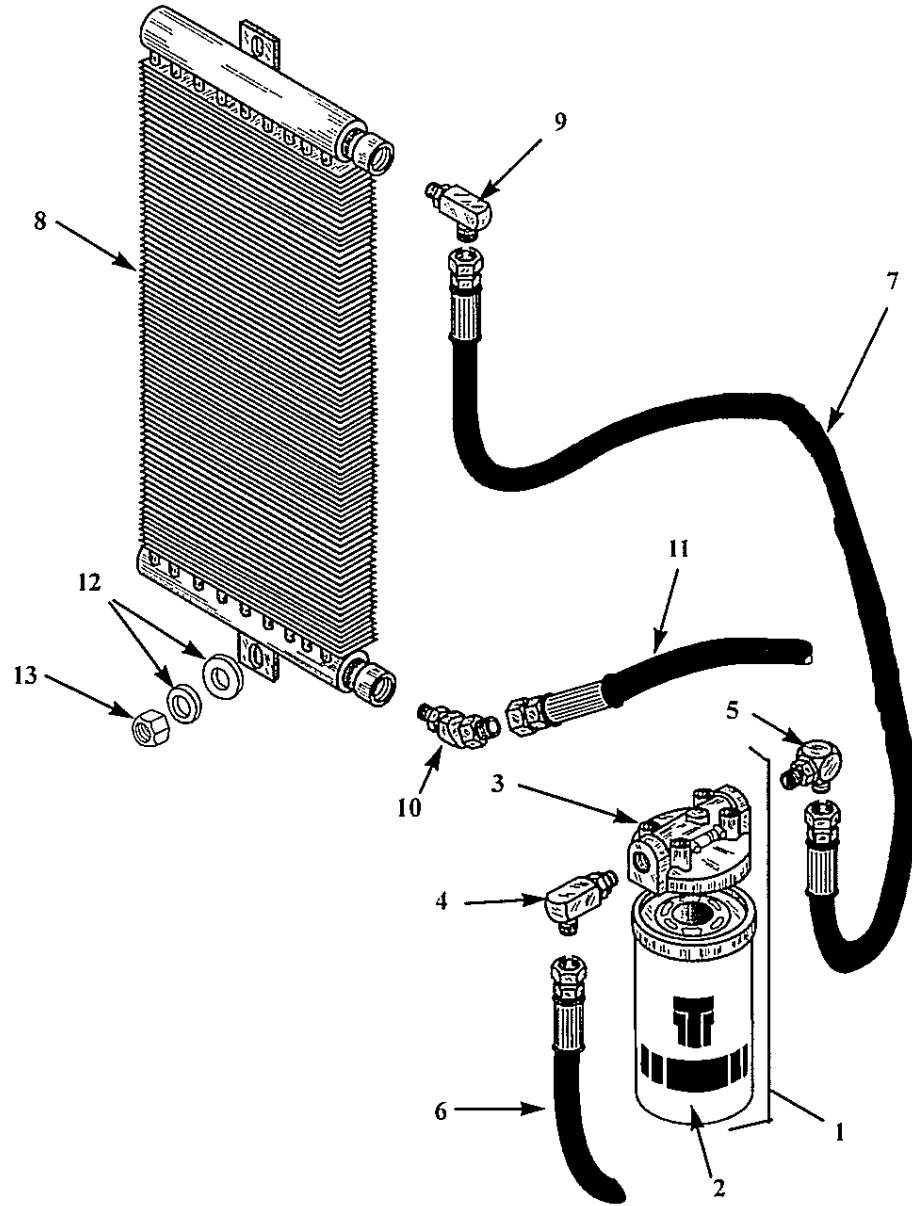




Pos NO.	Part No.	Qty	Description
1	44342	1	ValveHyd. Assy W / Elect. Aux.
1.	46119	1	ValveHyd. Assy W / Elect. Aux.
1	44434	1	Valve Hyd. Assy, Hand Control Elec. Aux.
	43812	1	Seal Kit
1	43730	2	Spool, Aux and Tilt
2	43731	1	Spool, Lift
3	43724	1	Coil, Solenoid Lock Assy
4	43722	1	Valve, Check
5	43729	1	Kit, Centering , Tilt Spool W / Cap
6	43728	1	Kit, Centering W / Detente and Cap
7	43721	1	Valve, Main Relief
8	43723	1	Coil, Aux Solenoid
9	43198	1	Restrictor
10	43814	1	Electrical Auxiliary Kit
*	44190	1	Plug, Anti-Cavitation (LE009271 onward)

Hydraulic Oil Cooler and Filter (T135, To S/N LE0010072)

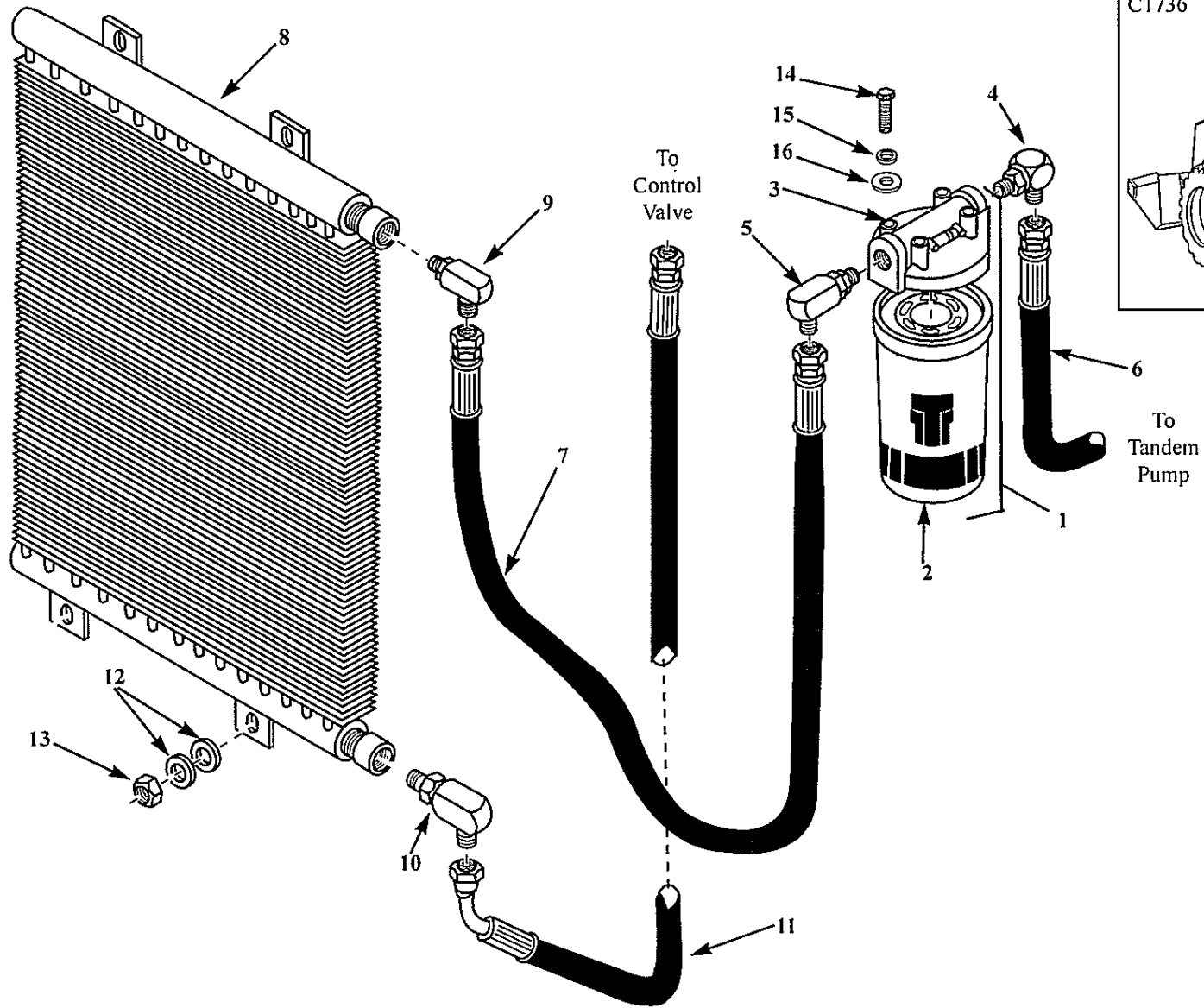
4. 7a



Pos NO.	Part No.	Qty	Description
1	42556	1	Filter, Hyd. Assy
2	35243	1	Filter Element
3	42557	1	Head, Filter Hyd. Assy
4	25011	1	Elbow
5	14866	1	Elbow
6	962110	1	Hose
7	962108	1	Hose
8	38585	1	Oil Cooler
8	40869	1	Oil Cooler (SN LE0010073 onward)
9	38386	1	Elbow
10	23864	4	Connector, 45 deg.
11	962365	4	Hose
12	1651	4	Washer, Flat
13	16771	4	Nut

Hydraulic Oil Cooler and Filter (T153 'S' TO S/N LN000255 )

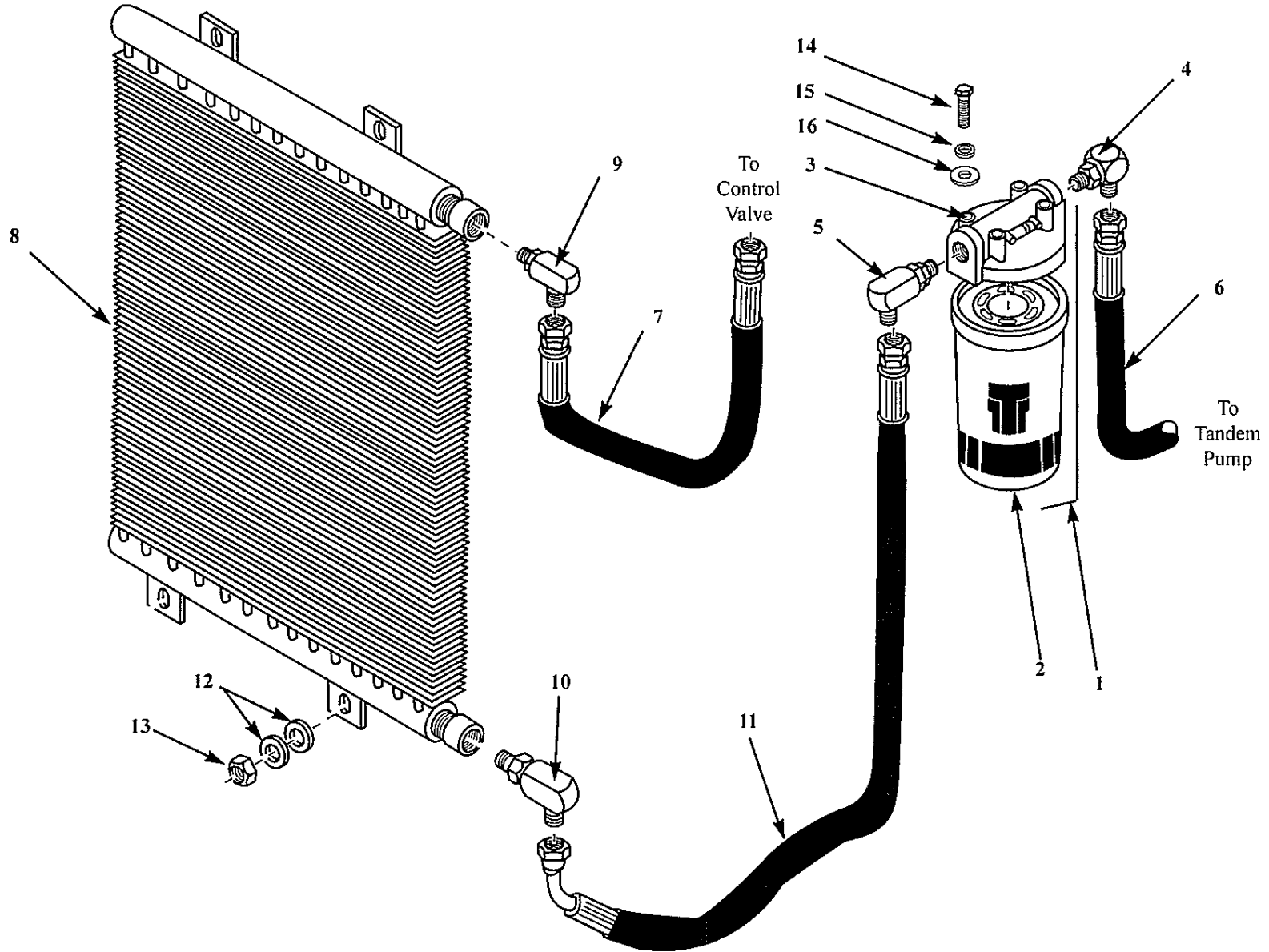
4. 7b



Pos NO.	Part No.	Qty	Description
1	42556	1	Filter, Hyd. Assy
2	35243	1	Filter Element
3	42557	1	Head, Filter Hyd. Assy
4	25011	1	Elbow
5	14866	1	Elbow
6	962110	1	Hose
7	962108	1	Hose
8	046146	1	Oil Cooler
9	38386	1	Elbow
10	31670	4	Elbow
11	962931	4	Hose
12	1651	8	Washer, Flat
13	16771	4	Nut
14	1193	4	Bolt
15	1642	4	Washer, Lock
16	1643	4	Washer, Flat

Hydraulic Oil Cooler and Filter (T153 'S' from S/N LN000256 Onward)

4. 7c

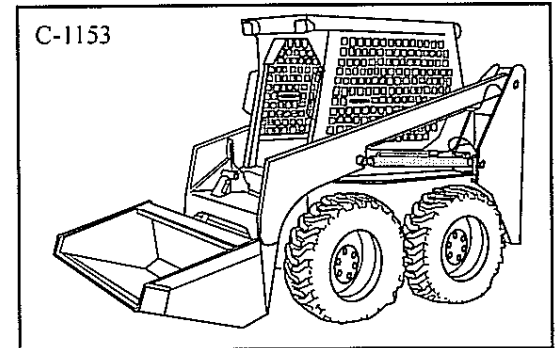
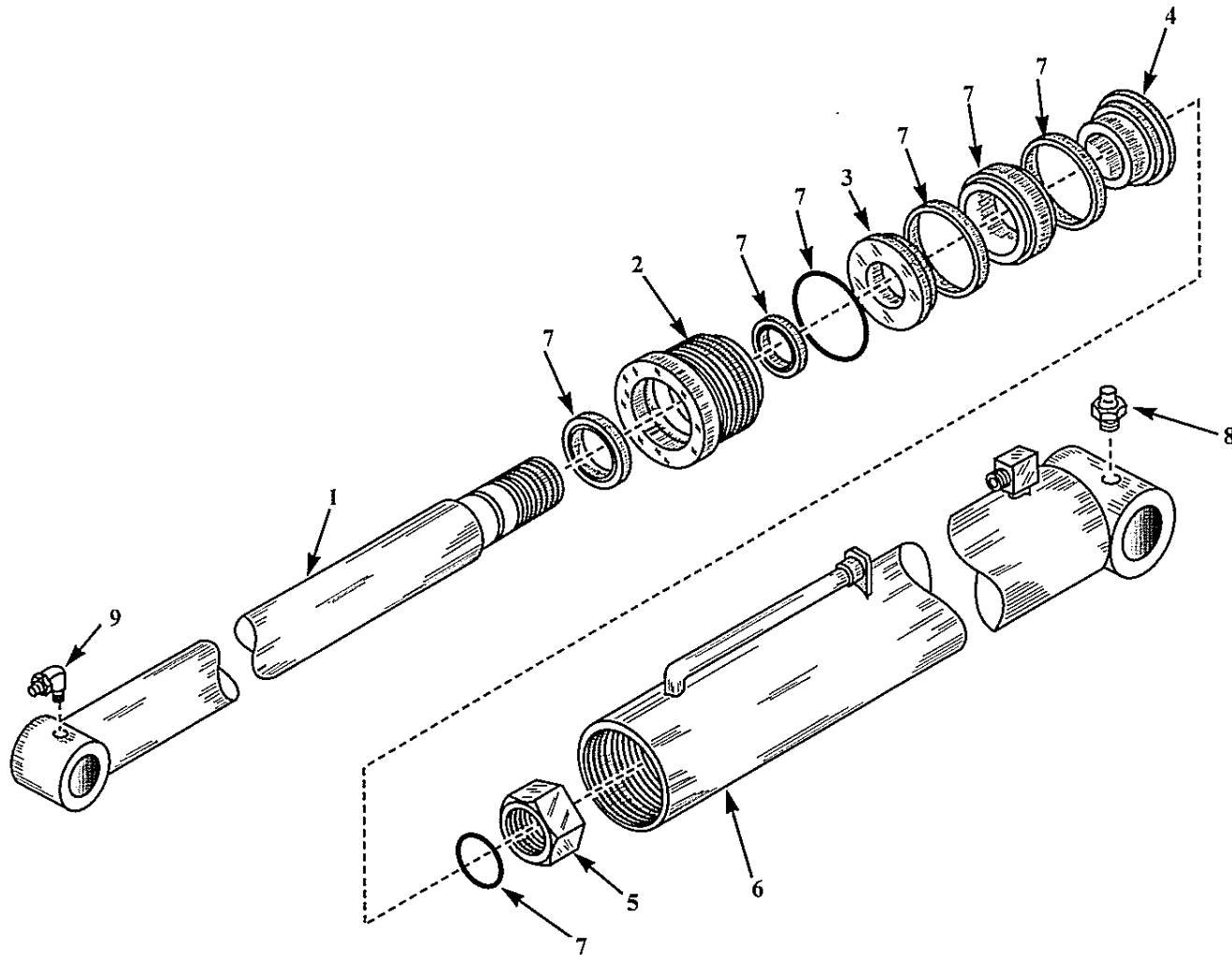


Pos NO.	Part No.	Qty	Description
1	42556	1	Filter, Hyd. Assy
2	35243	1	Filter Element
3	42557	1	Head, Filter Hyd. Assy
4	25011	1	Elbow
5	14866	1	Elbow
6	962110	1	Hose
7	963337	1	Hose
8	40869	1	Oil Cooler
8	46146	1	Oil Cooler <i>(LN000500 onward)</i>
9	38386	1	Elbow
10	31670	4	Elbow
11	963338	4	Hose
12	1651	8	Washer, Flat
13	16771	4	Nut
14	1193	4	Bolt
15	1642	4	Washer, Lock
16	1643	4	Washer, Flat



# Lift Cylinder

4. 8



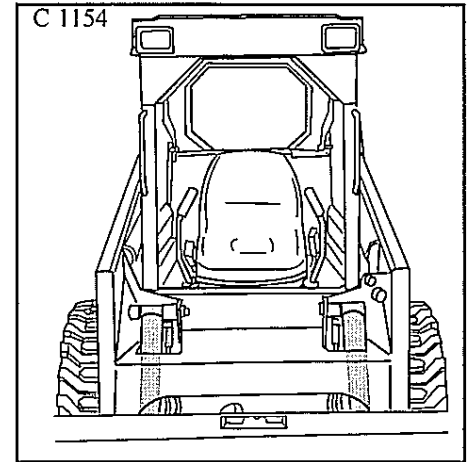
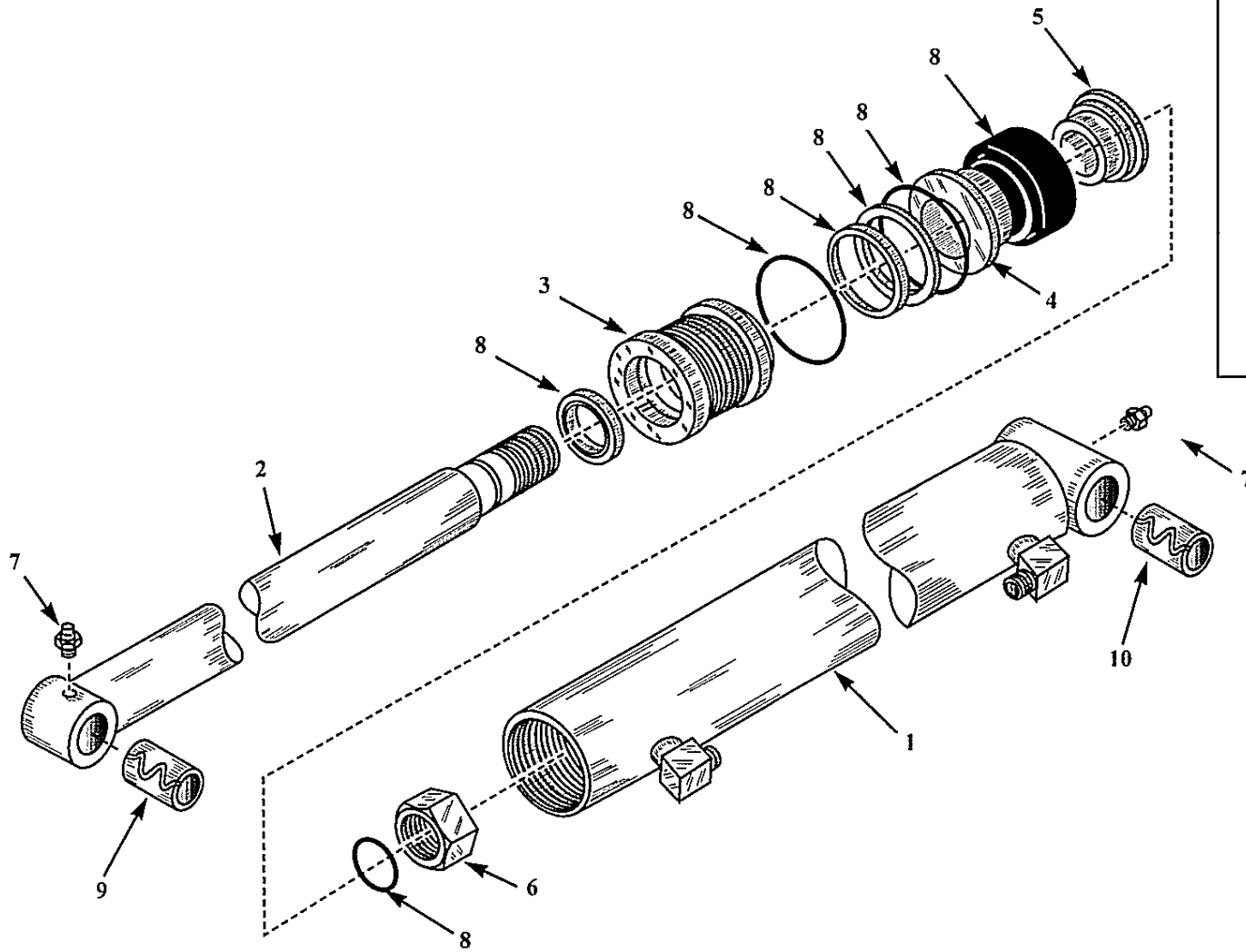
Pos NO.	Part No.	Qty	Description
	39980	2	Lift Cylinder, Complete
1	41200	2	Cylinder Rod
2	41198	1	End Cap
3	29989	1	Piston, Front Section
4	29988	1	Piston, Rear Section
5	23530	1	Nut
6	41199	1	Cylinder Body
7	41201	1	Seal Kit, Complete
8	2010	1	Grease Fitting
9	35451	1	Grease Fitting, 90 deg.

HEAVY DUTY CYLINDER (Optional ) (Standard on LE009196 onward & LN000101 onward)

	39981	2	Lift Cylinder, Complete
1	41204	2	Cylinder Rod
2	41202	1	End Cap
3	37417	1	Piston, Front Section
4	37416	1	Piston, Rear Section
5	37412	1	Nut
6	41203	1	Cylinder Body
7	041209	1	Seal Kit, Complete
8	2010	1	Grease Fitting
9	35451	1	Grease Fitting, 90 deg.

# Tilt Cylinder

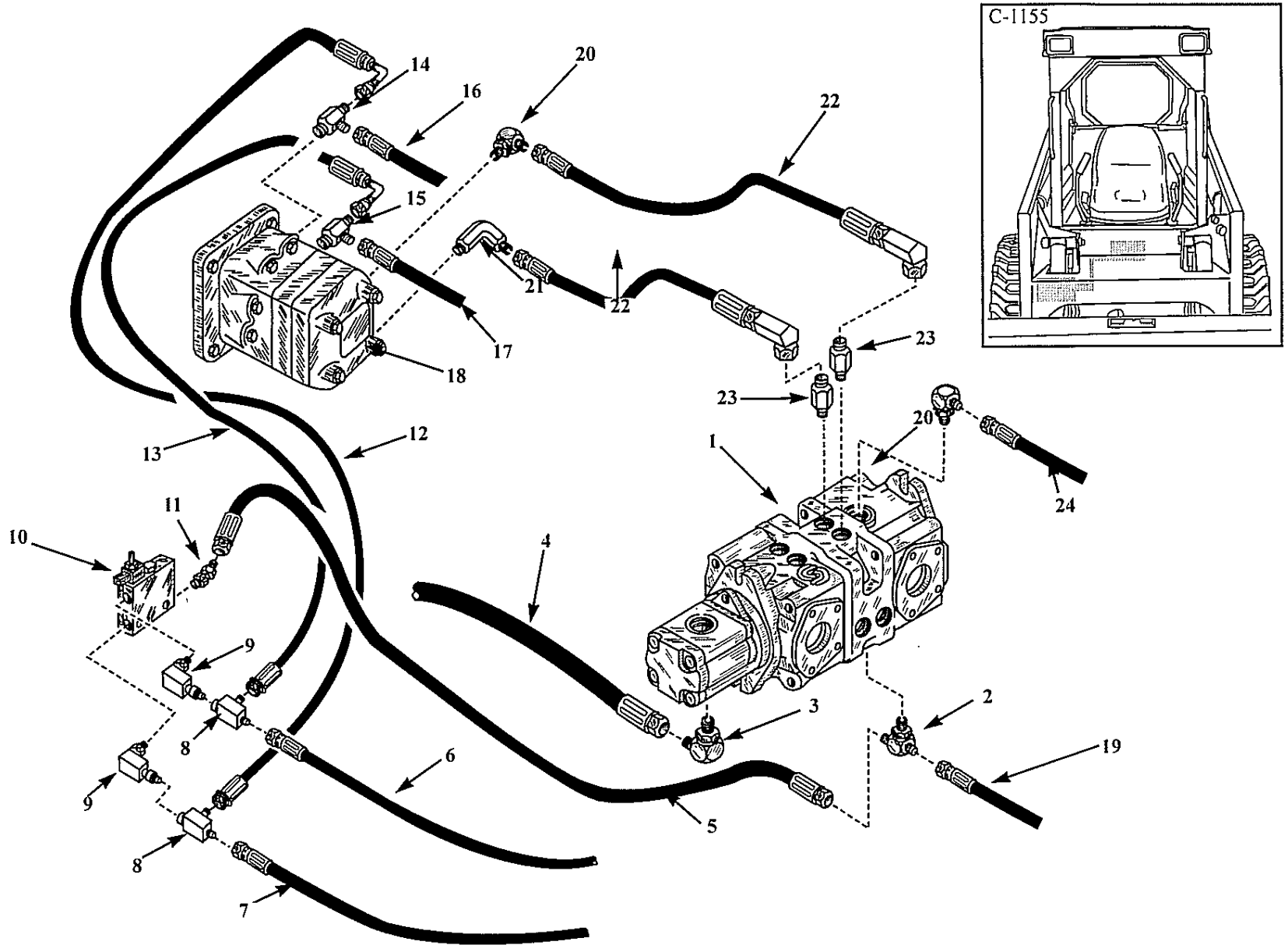
4.9



Pos NO.	Part No.	Qty	Description
	39982	2	Complete Tilt Cylinder
1	41207	1	Cylinder Tube
2	31033	1	Piston Rod
3	41206	1	Cap, End
4	29930	1	Piston, Part B
5	29929	1	Piston Part A
6	23530	1	Nut, Hex
7	35449	2	Grease Fitting
8	41209	1	Seal Kit, Complete
9	31032	1	Hardened Bushing
10	41208	1	Hardened Bushing

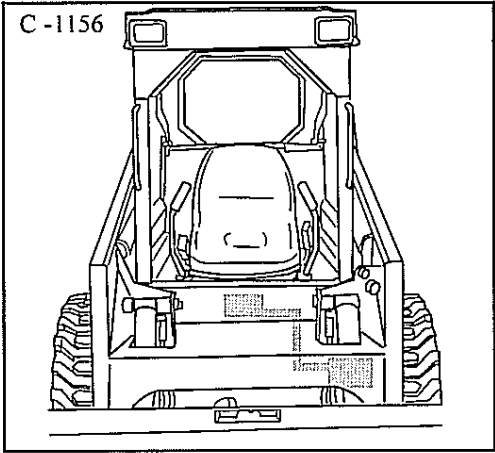
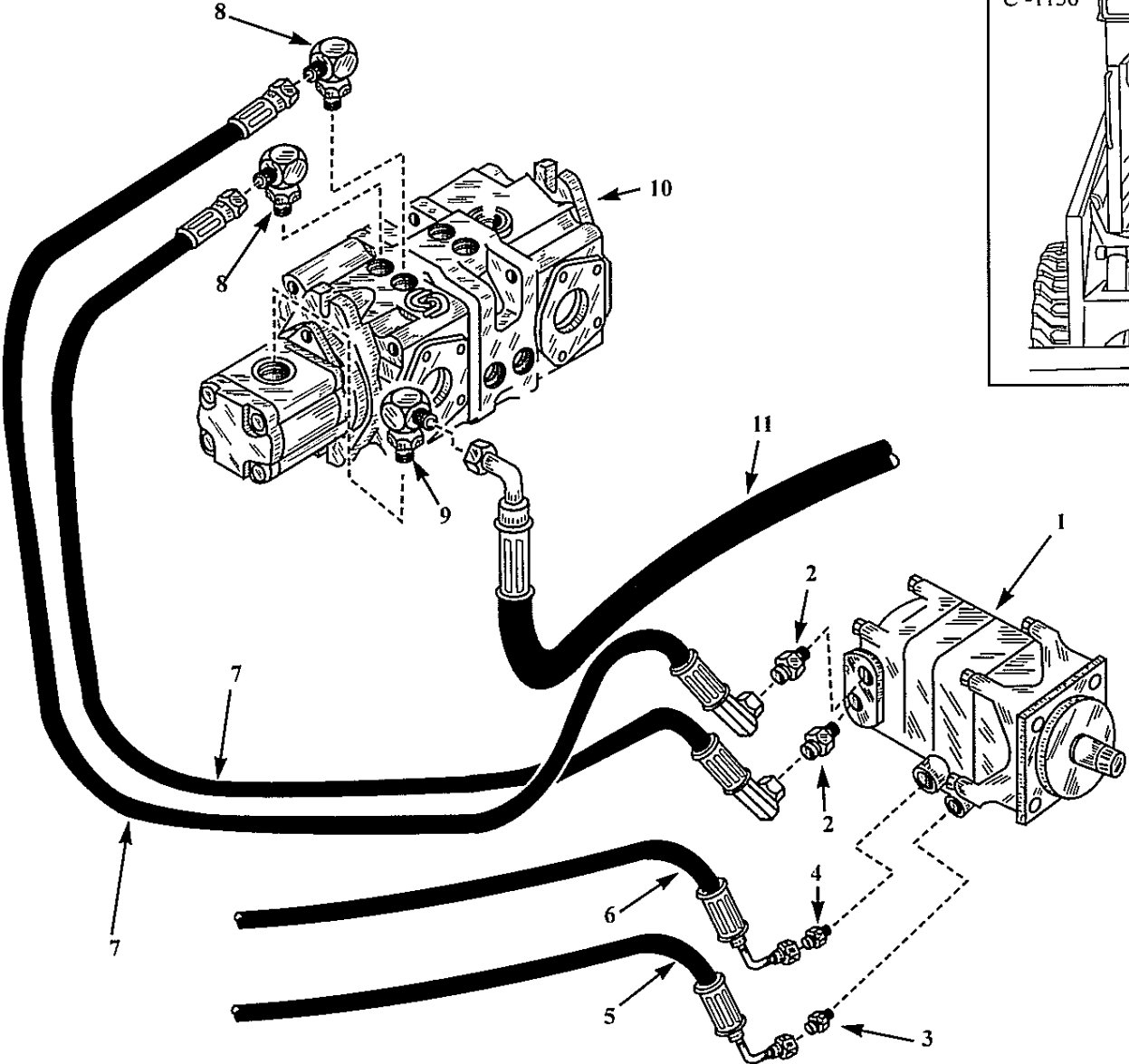
## **HYDROSTATIC DRIVE SYSTEM 5.**

Hydrostatic Drive Circuit (R.H. Side).....	5. 1
Hydrostatic Drive Circuit (L.H. Side).....	5. 2
Hydrostatic Pump.....	5. 3
Torque Motor.....	5. 4
Brake Valve .....	5. 5



Pos NO.	Part No.	Qty	Description
1	46016	1	Tandem Pump <i>(LN000500 onward)</i>
1	049042	1	Tandem Pump <i>(LN000101 to LN000499)</i>
1	963289	1	Tandem Pump <i>(up to LN000100)</i>
2	43188	1	Tee
3	25011	1	Elbow (LE008500 to LE008799)
3	19232	1	Elbow (LE008800 onward) (LN000101 onward)
4	962107	1	Hose, Hydraulic (LE008500 to LE008799)
4	962364	1	Hose, Hydraulic (LE008800 onward) (LN000101 onward)
5	962112	1	Hose, Hydraulic
6	962116	1	Hose, Hydraulic
7	962113	1	Hose, Hydraulic
8	38389	2	Tee Fitting
9	36713	2	Elbow
10	048573	1	Brake Valve
11	43190	1	Connector
12	962114	1	Hose, Hydraulic
13	962117	1	Hose, Hydraulic
14	43147	1	Tee Fitting
15	43146	1	Tee Fitting
16	962118	1	Hose, Hydraulic
17	962115	1	Hose, Hydraulic
18	048437	1	Torque Motor
19	962110	1	Hose, Hydraulic
20	14866	3	Elbow
21	43064	1	Elbow
22	966503	2	Hose, Hydraulic
23	14867	2	Connector
24	962111	1	Hose, Hydraulic (LE008500 to LE008799)
24	962400	1	Hose, Hydraulic (LE008800 onward) (LN000101 onward)

Hydrostatic Drive Circuit (LH)



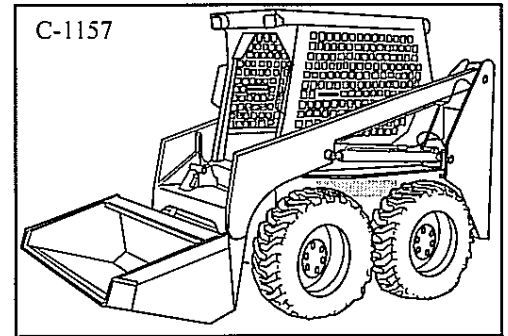
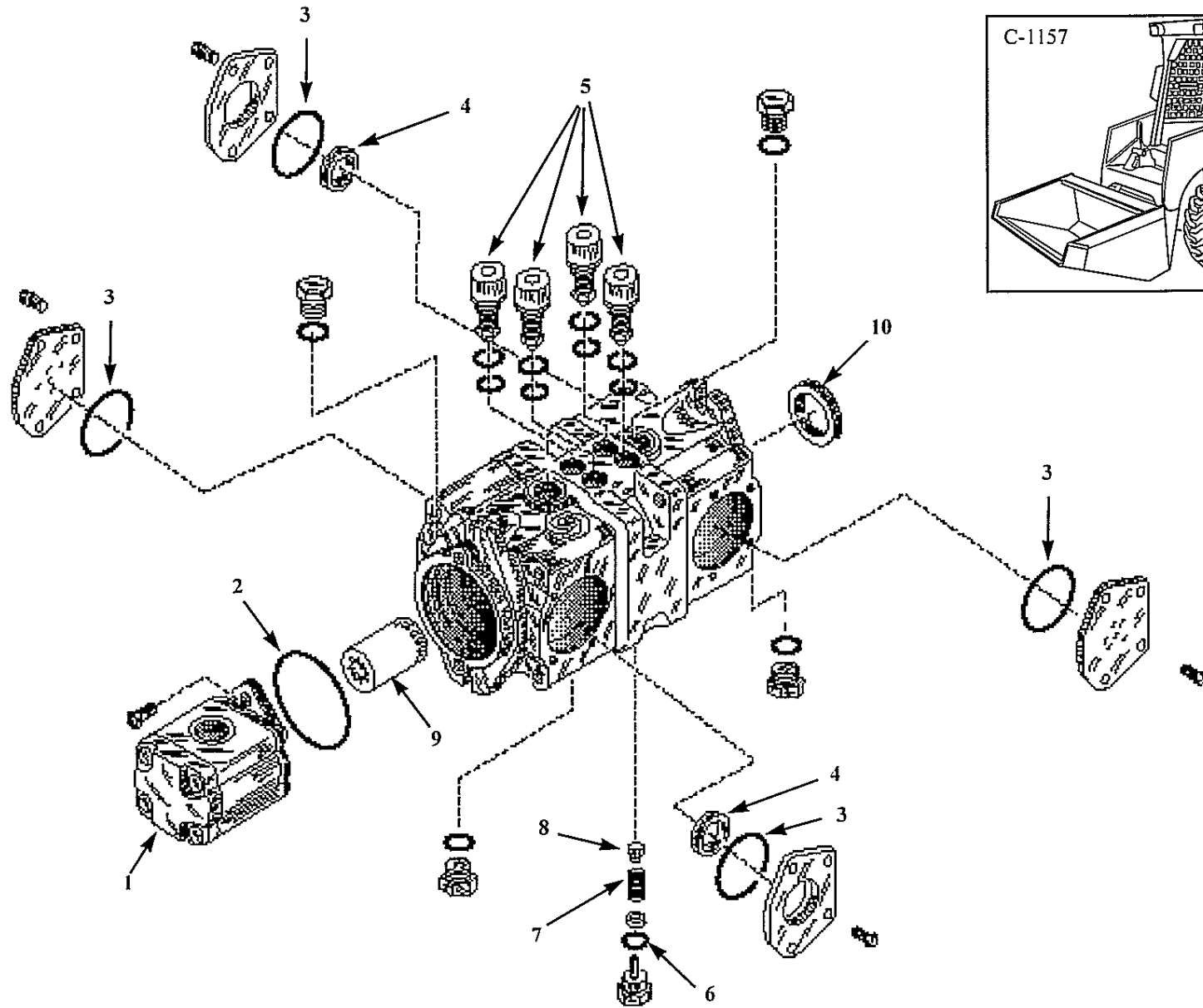


Pos NO.	Part No.	Qty	Description
1	048437	1	Torque Motor
2	14867	2	Connector
3	30266	1	Connector
4	19240	1	Connector
5	962116	1	Hose, Hydraulic
6	962113	1	Hose, Hydraulic
7	43065	2	Hose, Hydraulic
8	14866	2	Elbow
9	33850	1	Elbow
10	44179	1	Tandem Pump
10	46016	1	Tandem Pump ( <i>LN000500 onward</i> )
11	962106	1	Hydraulic Hose

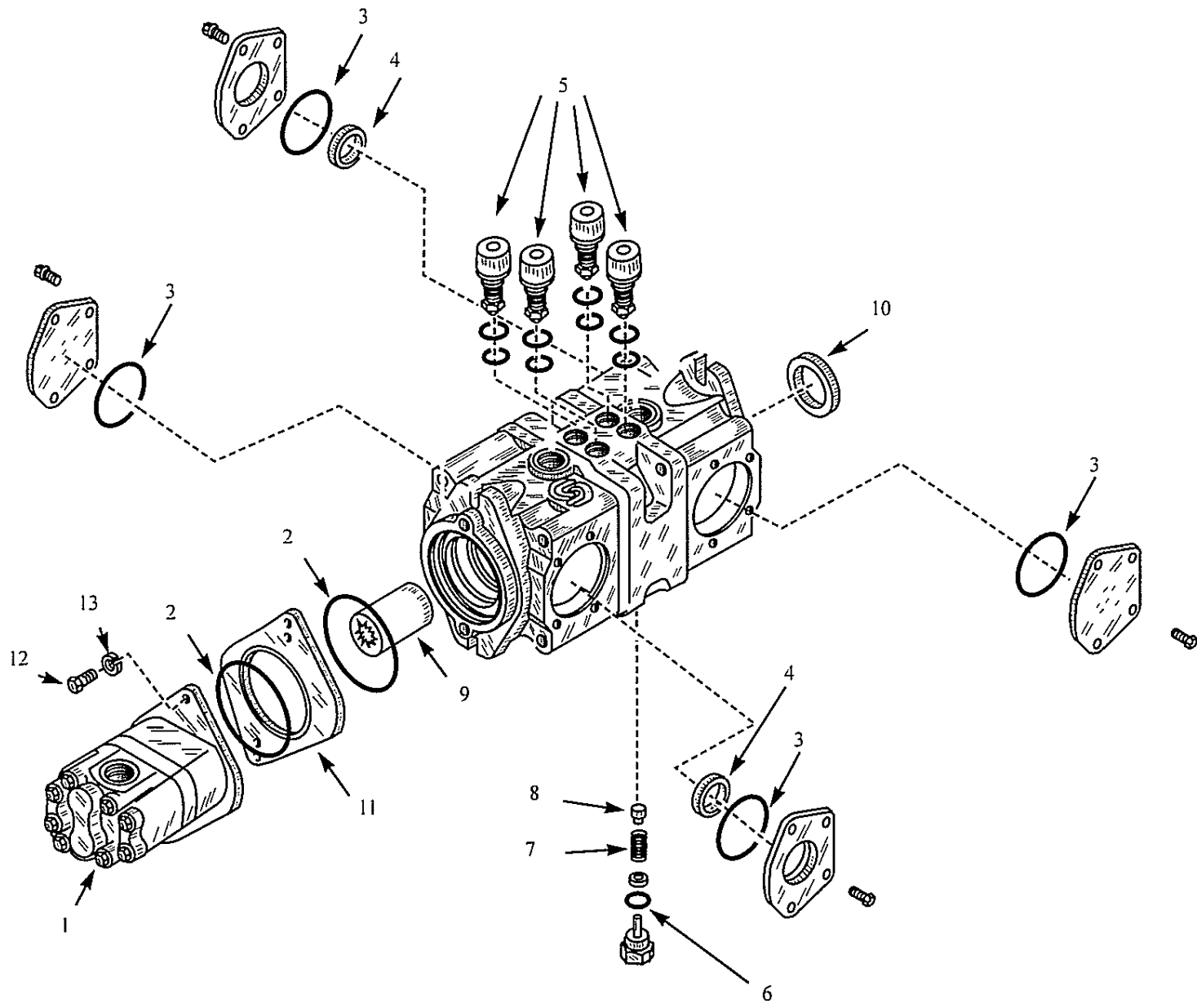
# Hydrostatic Pump

(LE008500 to LE008799)

5.3

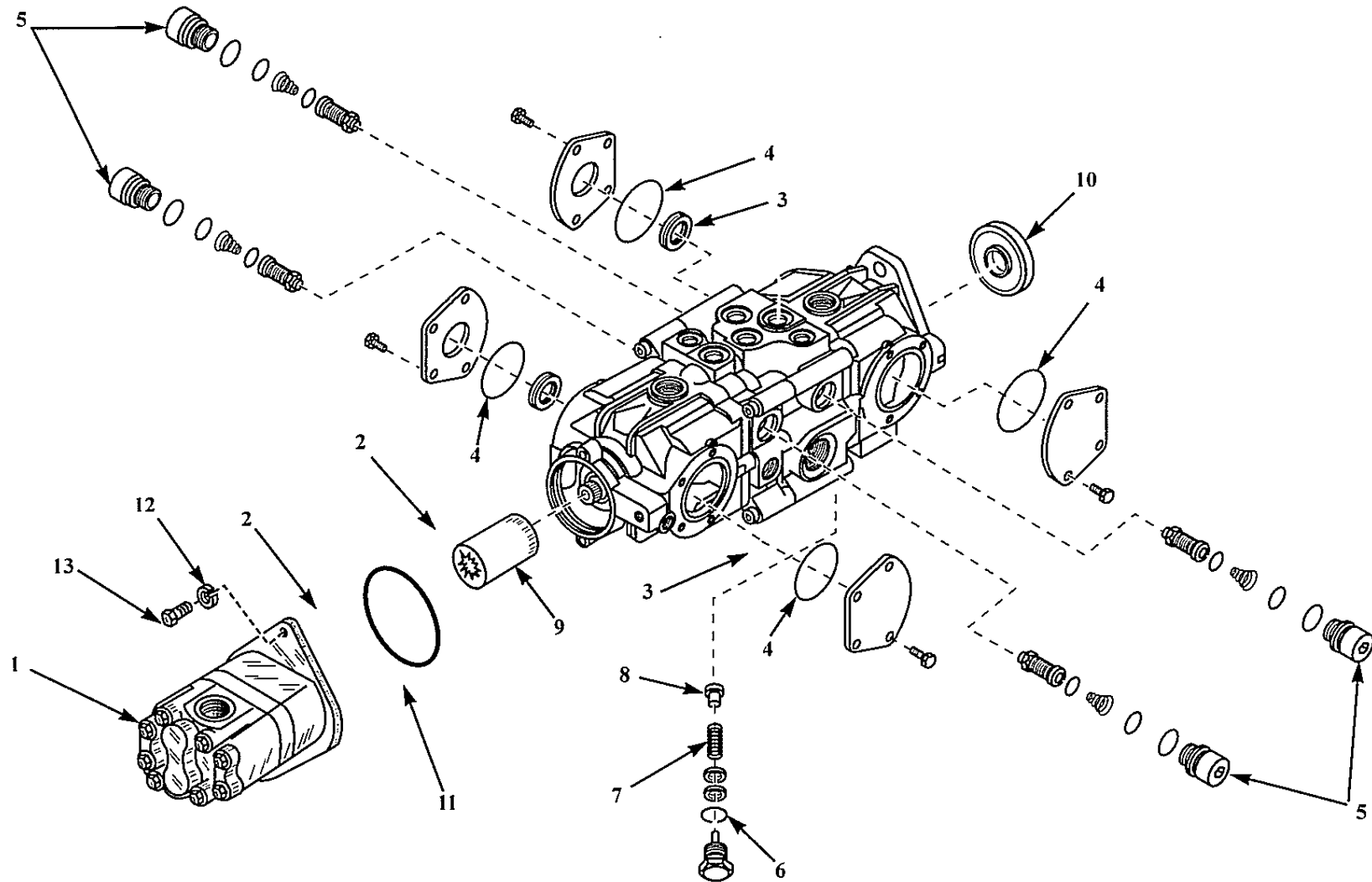


Pos NO.	Part No.	Qty	Description
	049042	1	Tandem Pump Assy, Complete
1	43653	1	Gear Pump (LE008500 to LE009195) Sunstrand Brand
1	43906	1	Gear Pump (LE009196 onward) (LN000101 onward) Eaton Brand
2	43493	1	O-ring
3	43167	4	O-ring, Swashplate
4	43168	2	Seal, Swashplate
5	43652	4	Relief Valve Assy
6	43166	1	O-ring, Charge Relief Valve
7	43164	1	Spring, Charge Relief Valve
8	43489	1	Poppet Valve, Charge Relief Valve
9	43651	1	Coupler, Gear pump
10	43169	1	Seal, Input Drive

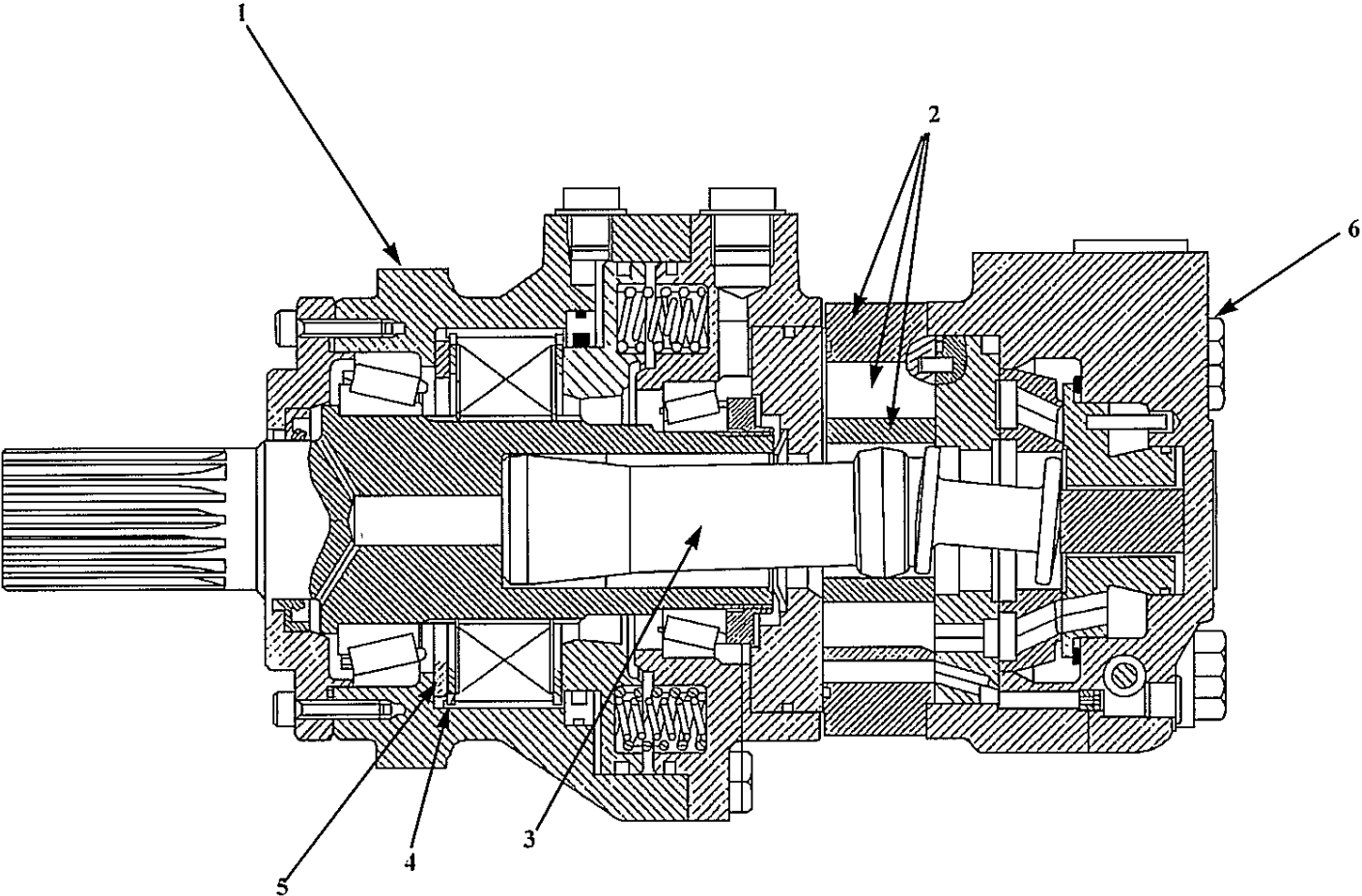


Pos NO.	Part No.	Qty	Description
	962345	1	Tandem Pump Assy, Complete
	43972	1	Tandem Pump Assy, No Gear Pump
	049042	1	Tandem Pump Assy (345 Bar Relief Setting) (LE009196 onward), No Gear Pump (LN 000101 onward)
1	43653	1	Gear Pump (up to LE009195) Sudstrand
1	43906	1	Gear Pump (LE009196 onward) (LN 000101 onward) Eaton Brand
2	43658	2	O-ring
3	43167	4	O-ring, Swashplate
4	43168	2	Seal, Swashplate
5	44136	4	Relief Valve (345 Bar Setting) (LE009073 onward) (LN000101 onward)
6	43166	1	O-ring, Charge Relief Valve
7	43164	1	Spring, Charge Relief Valve
8	43489	1	Poppet Valve, Charge Relief Valve
9	43651	1	Coupler, Gear pump , Small
10	43169	1	Seal, Input Drive
11	43650	1	Spacer
12	43665	2	Bolt
13	1642	2	Washer, Flat

\* 043170 Coupler, Gear Pump, Large

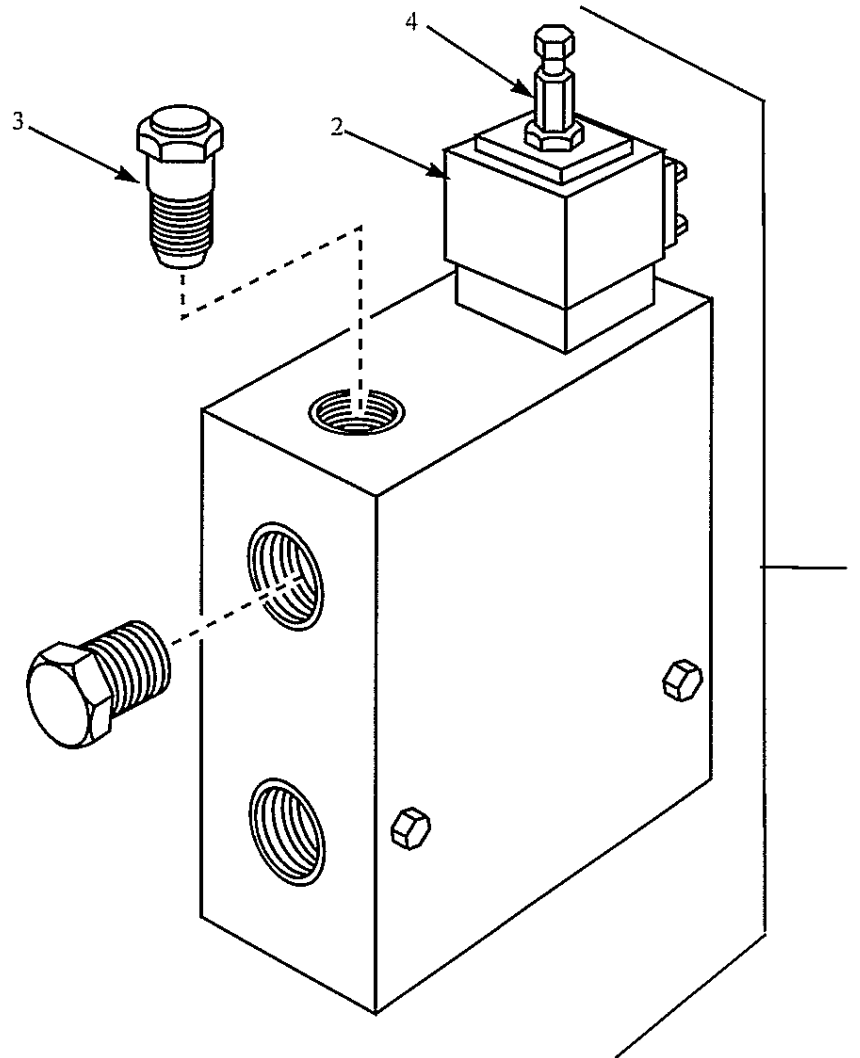


Pos NO.	Part No.	Qty	Description
	962345	1	Tandem Pump Assy, Complete
	963289	1	Tandem Pump Assy, Complete (SN LN000500 onward)
	43972	1	Tandem Pump Assy, No Gear Pump
	44179	1	Tandem Pump Assy (345 Bar Relief Setting) (LE009196 onward), No Gear Pump (LN000101 onward)
1	46016	1	Tandem Pump Assy (345 Bar Relief Setting) (LN000500 onward)
1	43653	1	Gear Pump (Up to LE009195) Sunstrand
1	43906	1	Gear Pump (LE009196 onward) (LN000101 onward) Eaton Brand
1	43470	1	Gear Pump (LN000500 onward) Eaton Brand
2	43658	2	O-ring
3	43167	4	Seal, Swashplate housing
4	43168	2	O- ring, Swashplate cover
5	44136	4	Relief Valve (345 Bar Setting) (LE009073 onward) (LN000101 onward)
6	43166	1	O-ring, Charge Relief Valve
7	43164	1	Spring, Charge Relief Valve
8	43489	1	Poppet Valve, Charge Relief Valve
9	43651	1	Coupler, Gear pump
10	43169	1	Seal, Input Drive
11	43650	1	Spacer
12	43665	2	Bolt
13	1642	2	Washer, Flat





Pos NO.	Part No.	Qty	Description
1	048437	1	Torque Motor (LE008500 onward) (LN000101 onward)
2	43341	1	Geroler
3	43342	1	Drive Shaft
4	43813	11	Steel Plate
5	43805	12	Friction Plate
6	44166	4	Lock Washer
43338		1	Seal Kit



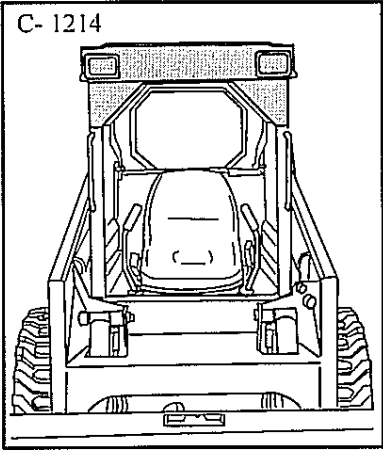
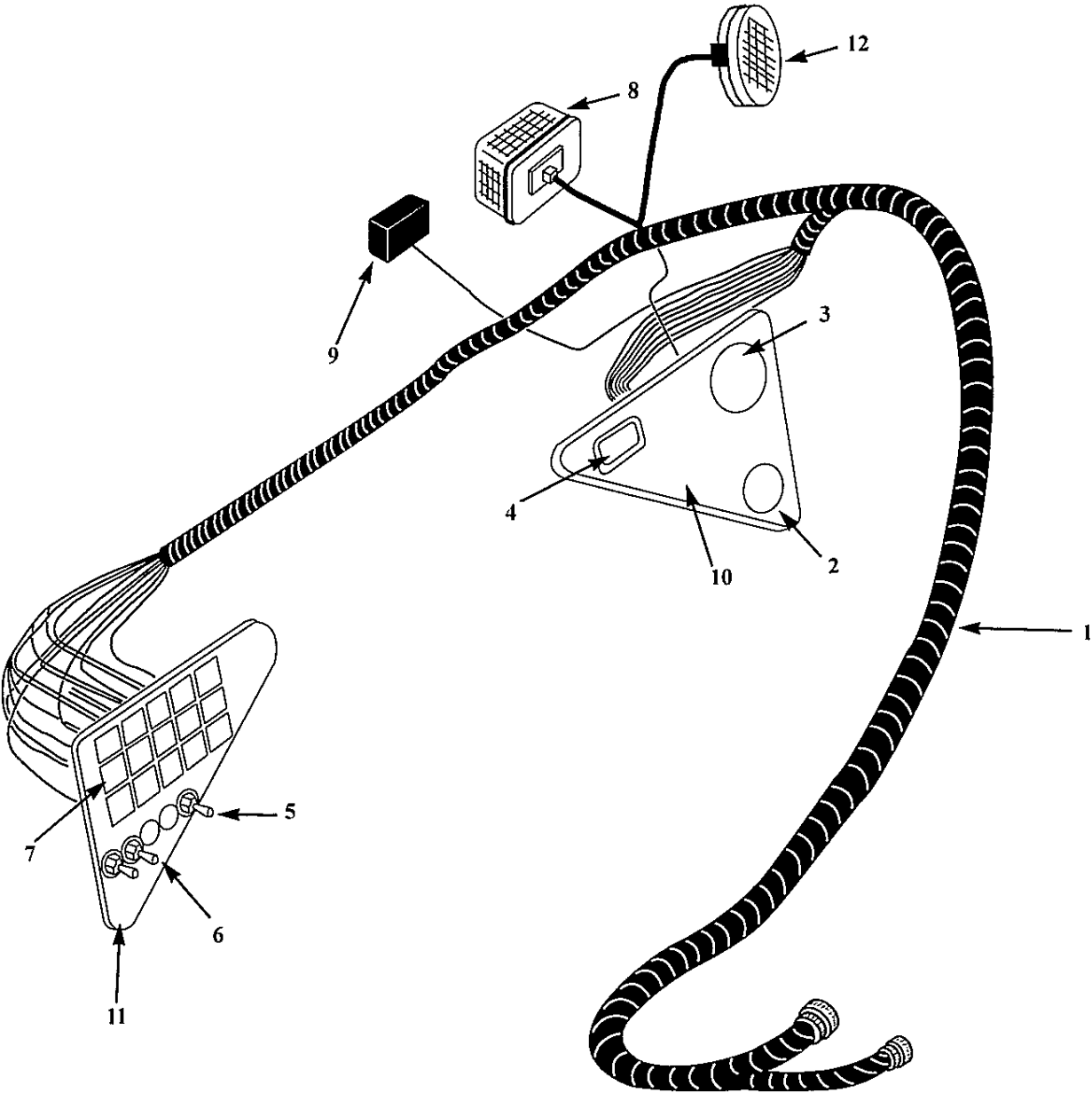
Pos NO.	Part No.	Qty	Description
1	42736	1	Brake Valve, 3 way
2	43530	1	Coil
3	43528	1	Check Valve
4	43529	1	Cartridge

## **ELECTRICAL SYSTEM 6.**

Electrical Wiring (ROPS Side).....	6.1
Electrical Wiring (Engine Side).....	6.2

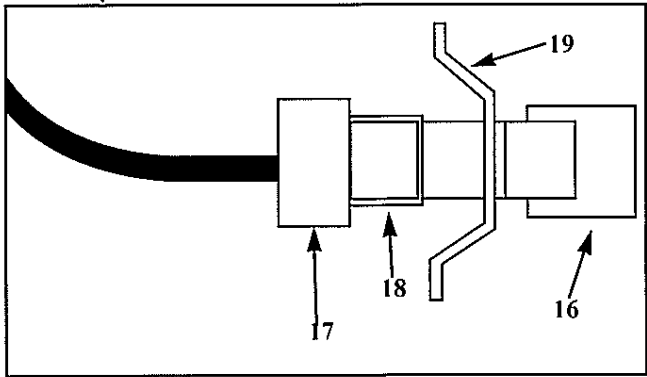
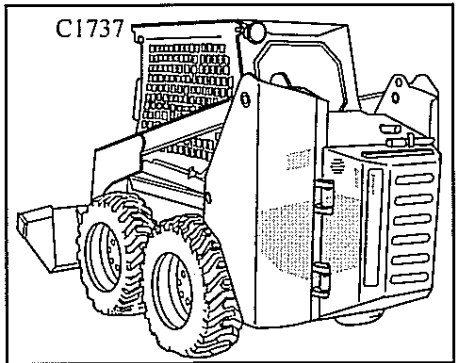
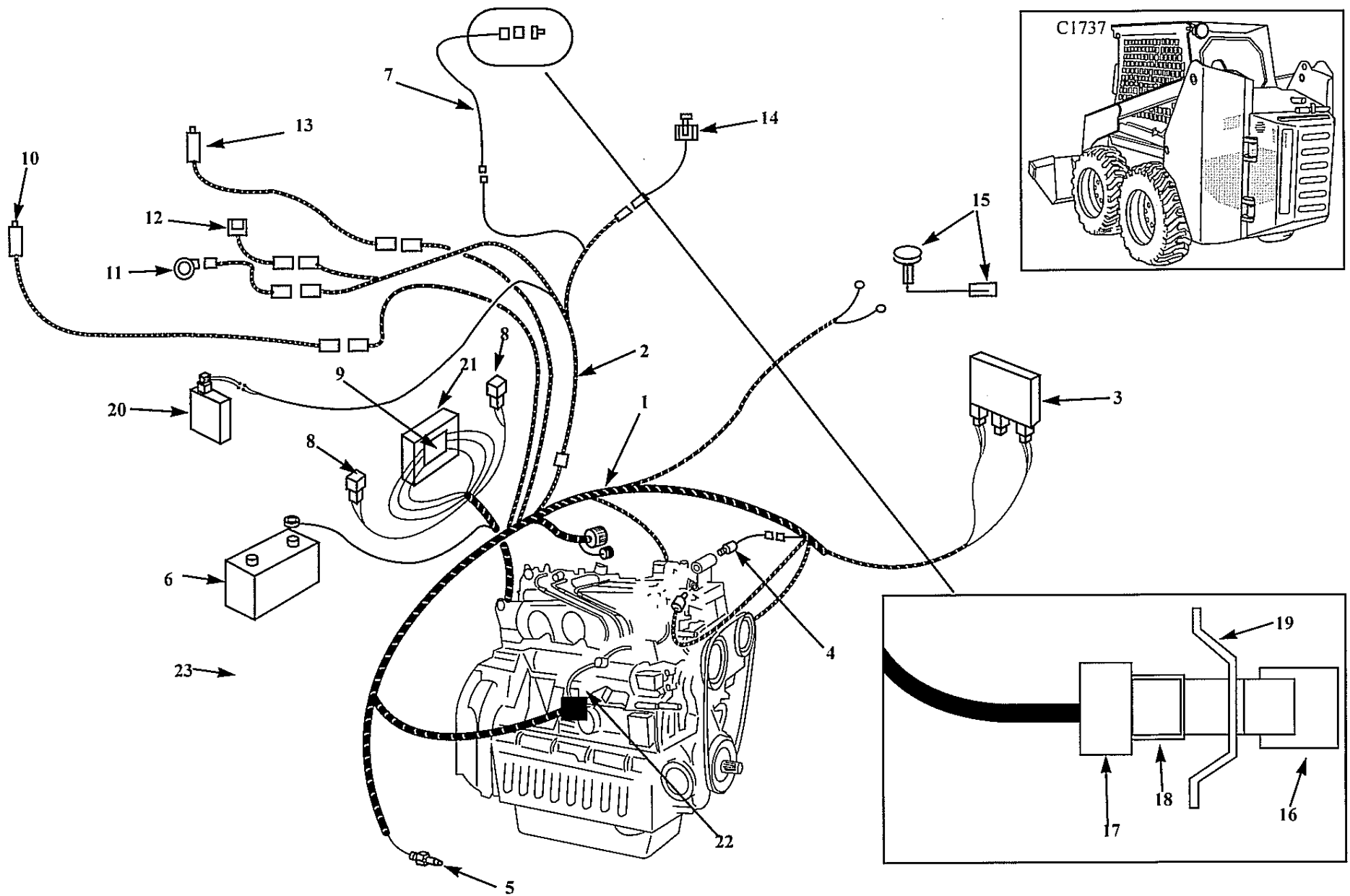
Electrical Wiring (ROPS Side)

6.1



Pos NO.	Part No.	Qty	Description
1	052429	1	Harness, ROPS Wire Please Note: When changing Rop's Harness, New Eng Harness must be added.
2	19605	1	Ignition Switch
3	38577	1	Fuel Gauge
4	38761	1	Hour Meter, Rectangular
5	39123	1	Light Switch
6	39124	1	Auxiliary Switch (Optional)
7	39972	1	All Indicator Lights
8	41607	1	Front Work Light
*	41611	1	Lens
*	41612	1	Bulb
*	43559	1	Nut for Front Work Light
9	40918	1	Horn (Optional)
10	38794	1	RH Instrument Panel
11	41889	1	LH Instrument Panel
12	29971	1	Rear Work light
*	41427	1	Thomas Key Chain
*	39126	4	Plug, Button Hole
*	018683	2	Key, Ignition

# Electrical Wiring (Engine Side)



Pos NO.	Part No.	Qty	Description
			Please Note: When changing Eng Harness, New Rop's Harness must be added.
1	52431	1	Engine Wire Harness
2	43081	1	Mainframe Wire Harness
3	43197	1	Valve Assy W / Locks
3	43199	1	Valve Assy W / Locks Electric Aux.
4	37206	1	Sender, Engine Temperature
5	37206	1	Sender, Hydraulic Temperature
6	38870	1	Battery
*	38871	1	Negative (-) Battery Cable
*	38872	1	Positive (+) Battery Cable
7	43082	1	Stop Switch Wire Harness
8	39840	2	Relay (inside item 21)
9	39540	1	Fuse and Circuit Breaker Panel
*	39122	4	Fuse, 10 Amp
*	39121	2	Fuse, 15 Amp
10	40960	1	Handle (Optional)
11	38516	1	Switch, Seat
12	960680	1	2" Seat Belt Assy W / Switch
12	960681	1	3" Seat Belt Assy W / Switch
13	40960	1	Switch, Horn (Optional)
14	42950	1	Restraint Bar Switch
15	41626	1	Sender, Fuel Level
16	42952	1	Push Button, Red
17	42951	1	Switch w/ Contact Body
18	43323	1	(Adder Block, CE Machines only LE008633 onward)
19	42975	1	Bracket
20	42736	1	Brake Valve, 3 way
21	961693	1	Box, Electrical
22	962038	1	Engine Stop Solenoid
23	37104	1	Lug, External Boosting
24	38855	1	Sender, Service Restriction Indicator

Circuit Breaker, 20Amp- 026856  
40Amp-021927  
50Amp- 021926

Starter- 033073  
Alternator- 042604



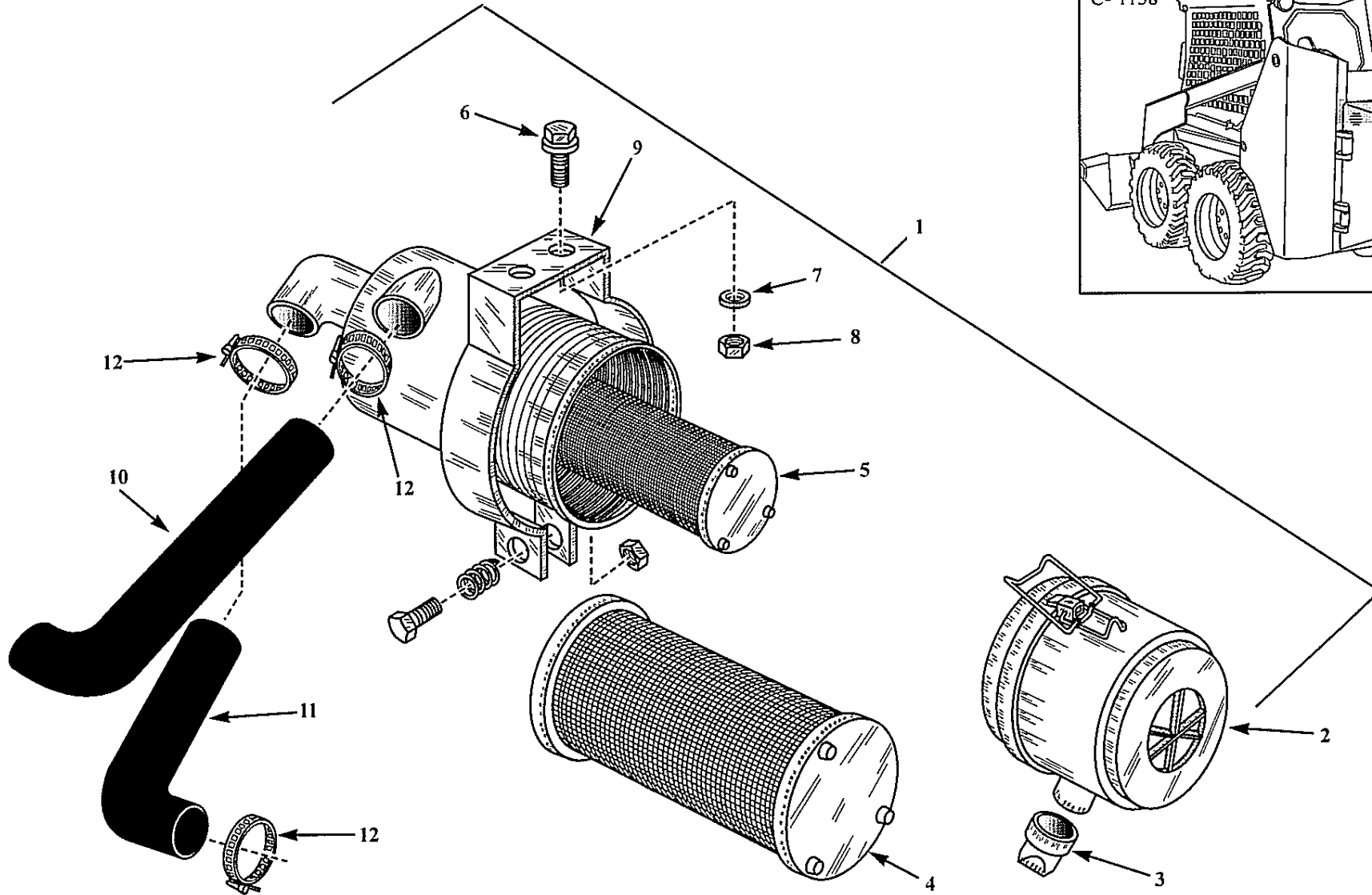
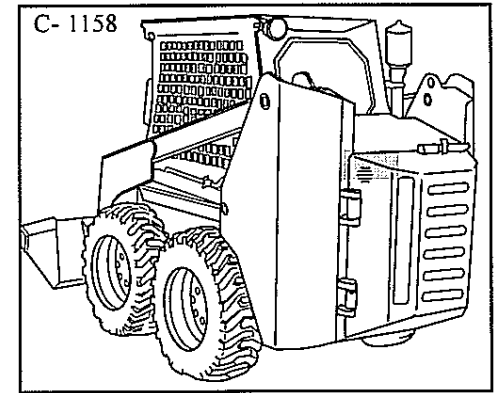
## ENGINE EQUIPMENT 7.

Air Cleaner.....	7.1
Exhaust System.....	7.2
Universal Joint .....	7.3
Radiator and Fan Assy.....	7.4

Air Cleaner

(LE008500 to LE008799)

7.1

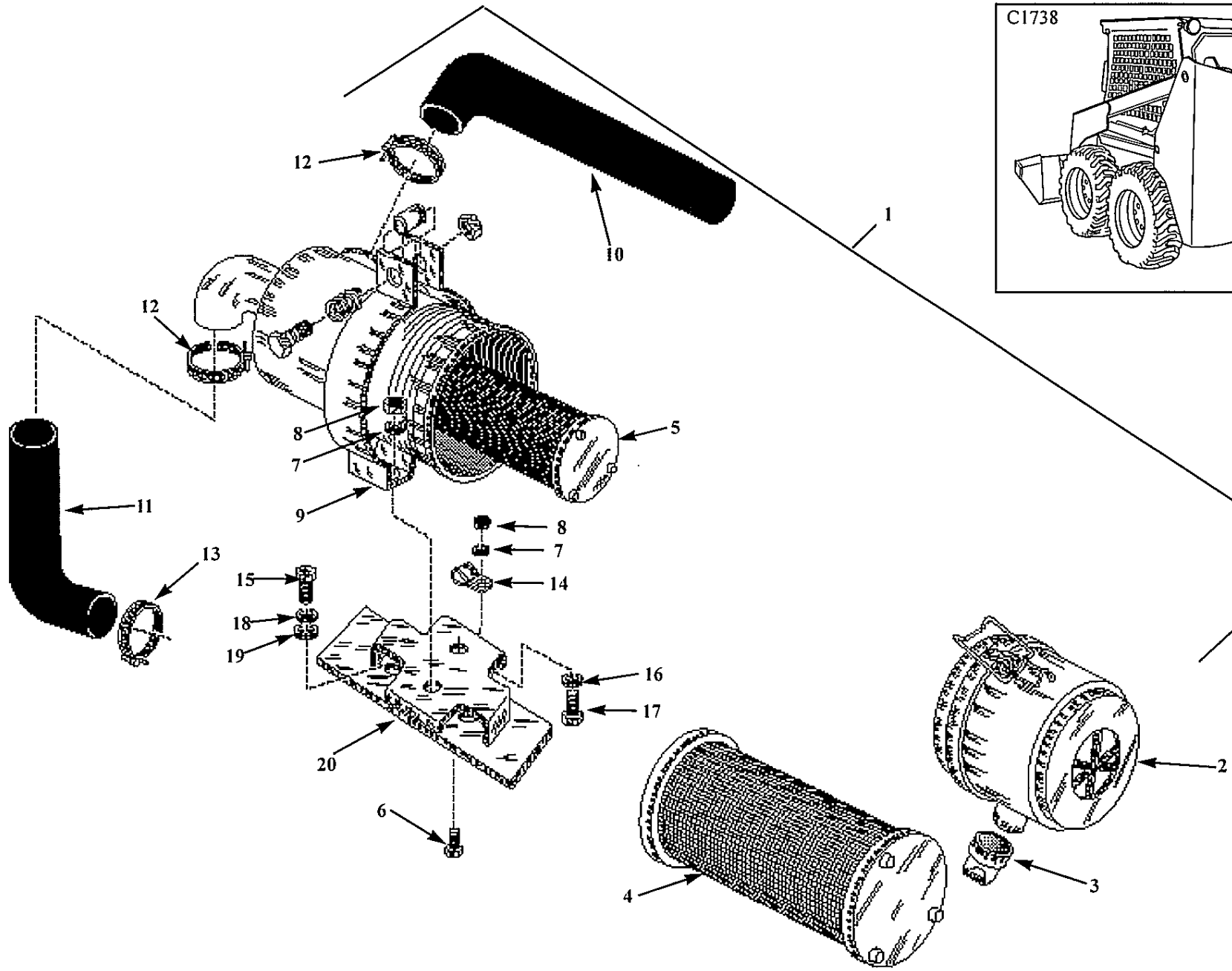
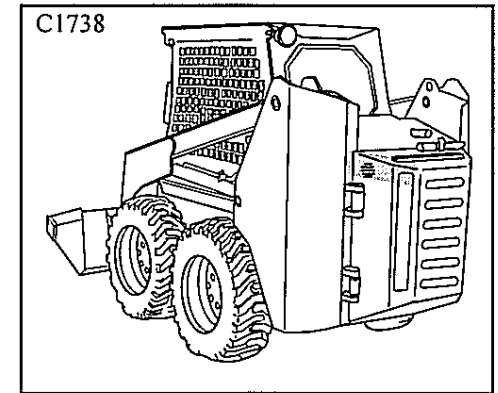


Pos NO.	Part No.	Qty	Description
1	42541	1	Air Cleaner Assy
2	42420	1	Cover, Air Cleaner Assy
3	42421	1	Vacuator Valve
4	42417	1	Primary Filter
5	42418	1	Safety Filter
6	1691	2	Bolt, Carriage
7	1870	2	Washer, Lock
8	1191	2	Nut, Nylock
9	42419	2	Mounting Band
10	43389	1	Hose, Air
11	43390	2	Hose, Air
12	6268	3	Clamp

Air Cleaner

(LE008800 onward)

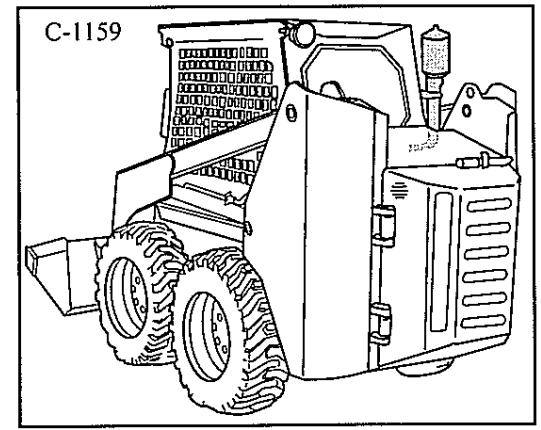
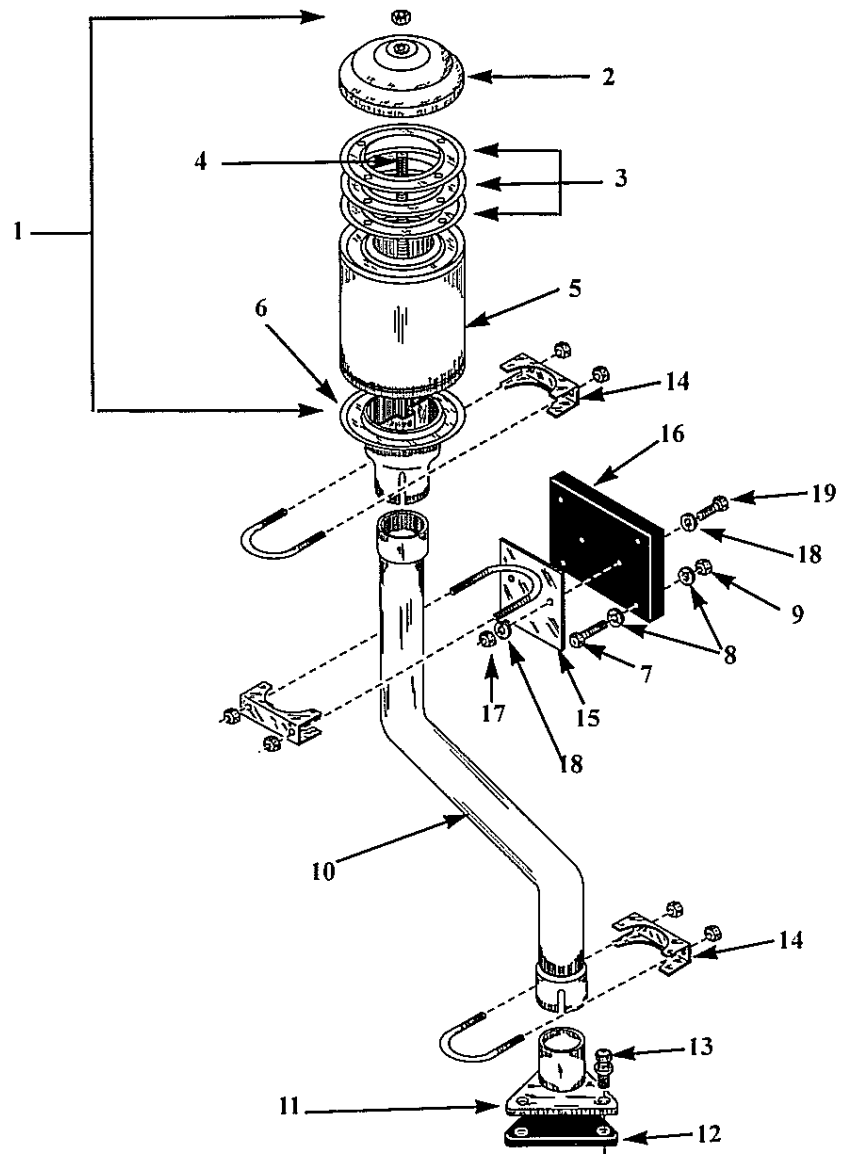
7.1



Pos NO.	Part No.	Qty	Description
1	42541	1	Air Cleaner Assy
2	42420	1	Cover, Air Cleaner Assy
3	42421	1	Vacuator Valve
4	42417	1	Primary Filter
5	42418	1	Safety Filter
6	1190	2	Bolt
7	1870	2	Washer, Lock
8	1191	2	Nut, Nylock
9	42419	2	Mounting Band
10	43389	1	Hose, Air
11	43556	2	Hose, Air
12	6268	3	Clamp
13	12117	1	Clamp
14	41024	1	Clip, Cable
15	33629	2	Bolt
16	6081	1	Bolt
17	1651	1	Washer
18	21028	2	Washer, Lock
19	1643	2	Washer, Flat
20	962502	1	Mount, Air Cleaner & Rad (LE008800 onward) (LN000101 onward)

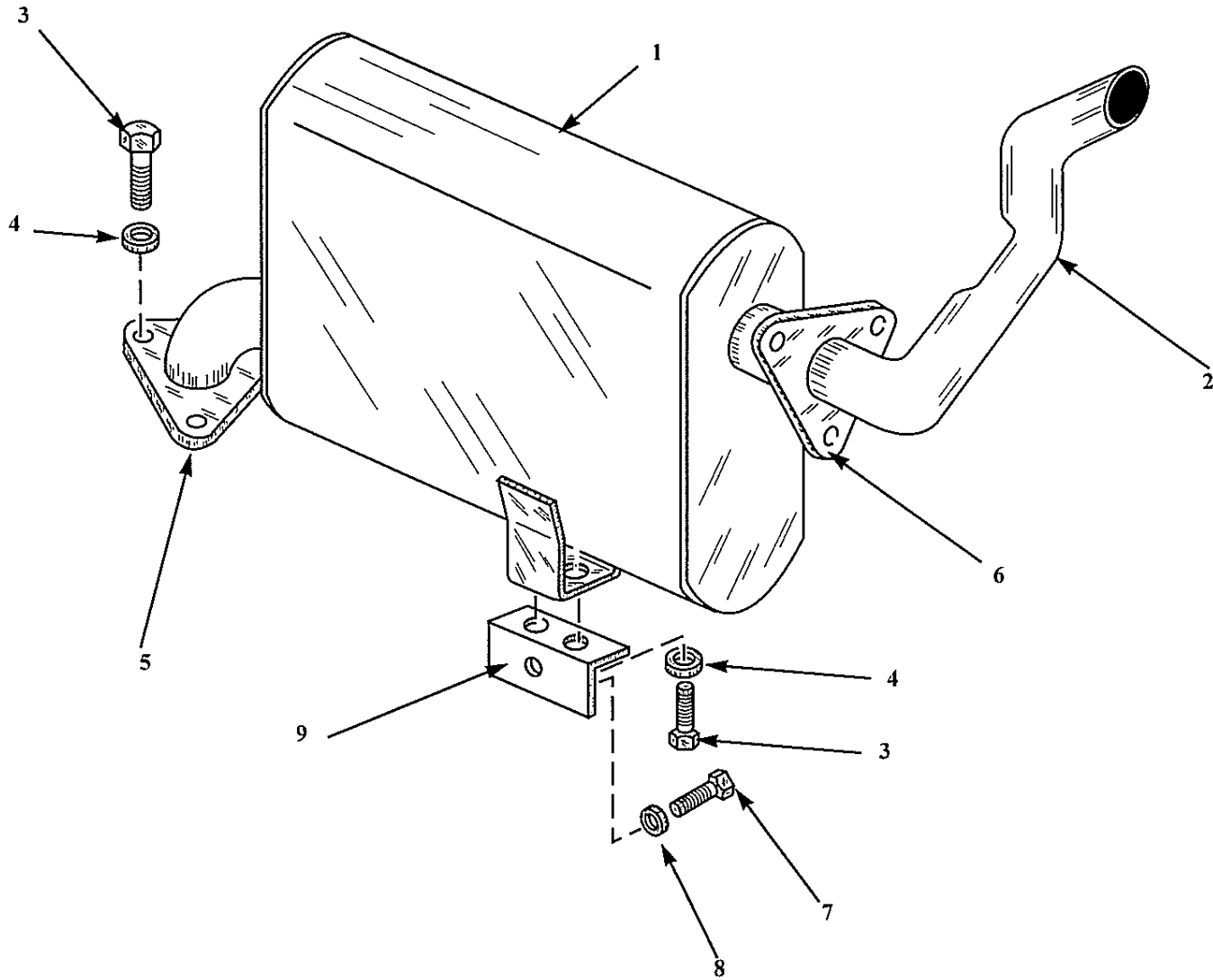
# Exhaust System

(LE008500 to LE008799)



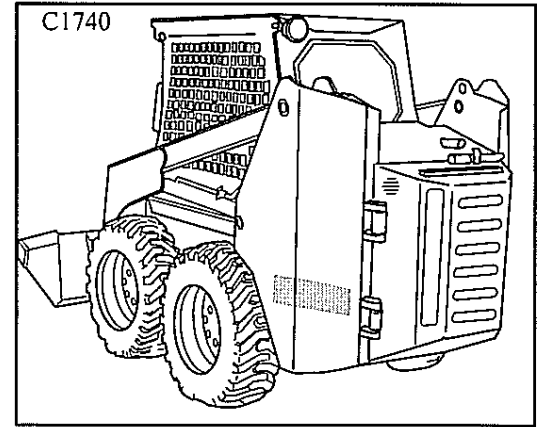
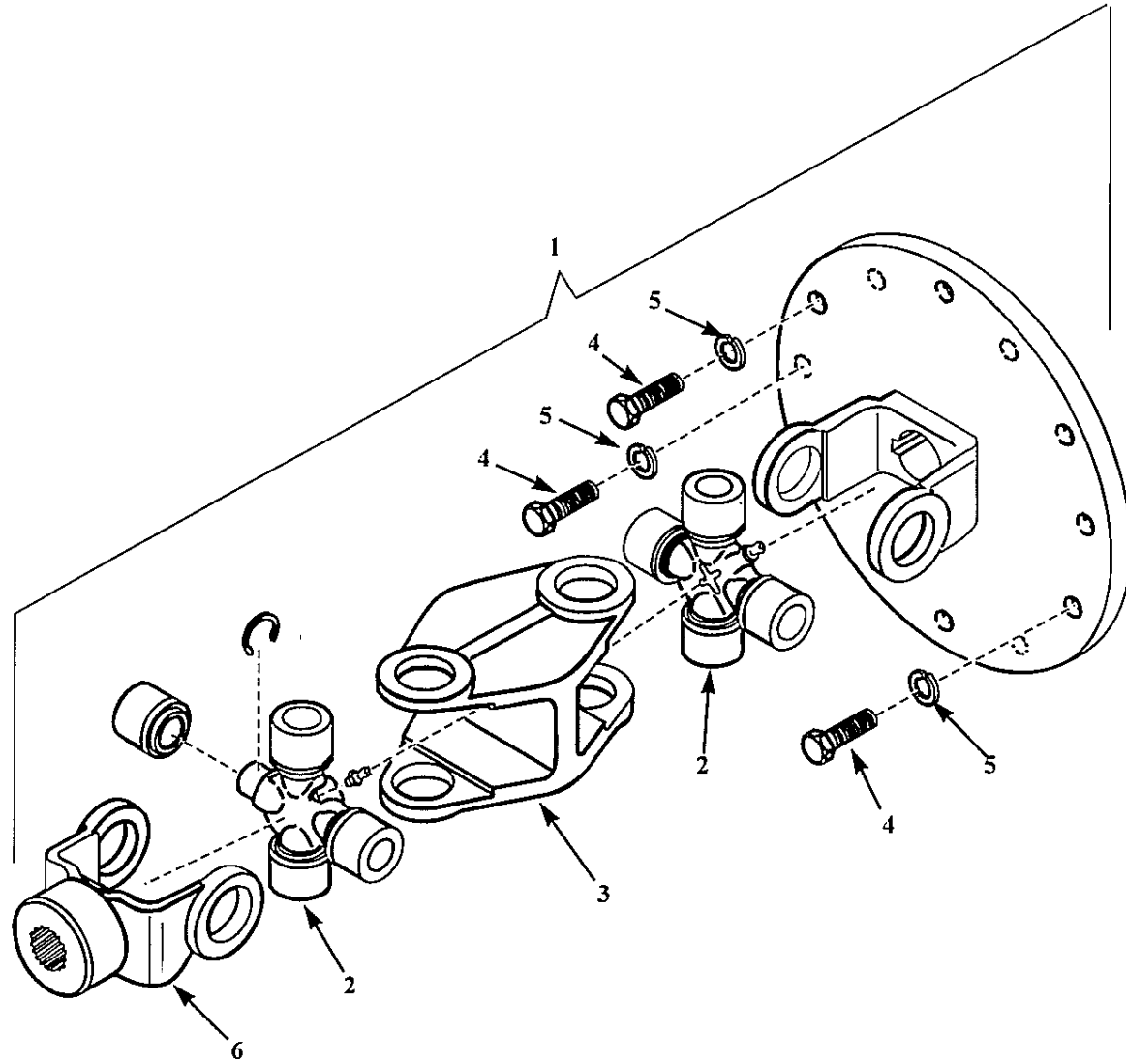
Pos NO.	Part No.	Qty	Description
1	21146	1	Muffler Assy
2	21293	1	Cap
3	21294	7	Diffuser Disks
4	21295	1	Bolt
5	21296	1	Resonator
6	21297	1	Adapter
7	7723	8	Bolt
8	1650	16	Washer, Flat
9	6645	8	Nut
10	40554	1	Pipe, Exhaust
11	960859	1	Flange Assy
12	39736	1	Gasket
13	22968	3	Bolt
14	6262	2	Clamp
15	954704	1	Clamp Assy
16	30310	1	Isolator, Vibration
17	16771	2	Nut
18	1651	2	Washer, Flat
19	2580	2	Bolt

# Exhaust System

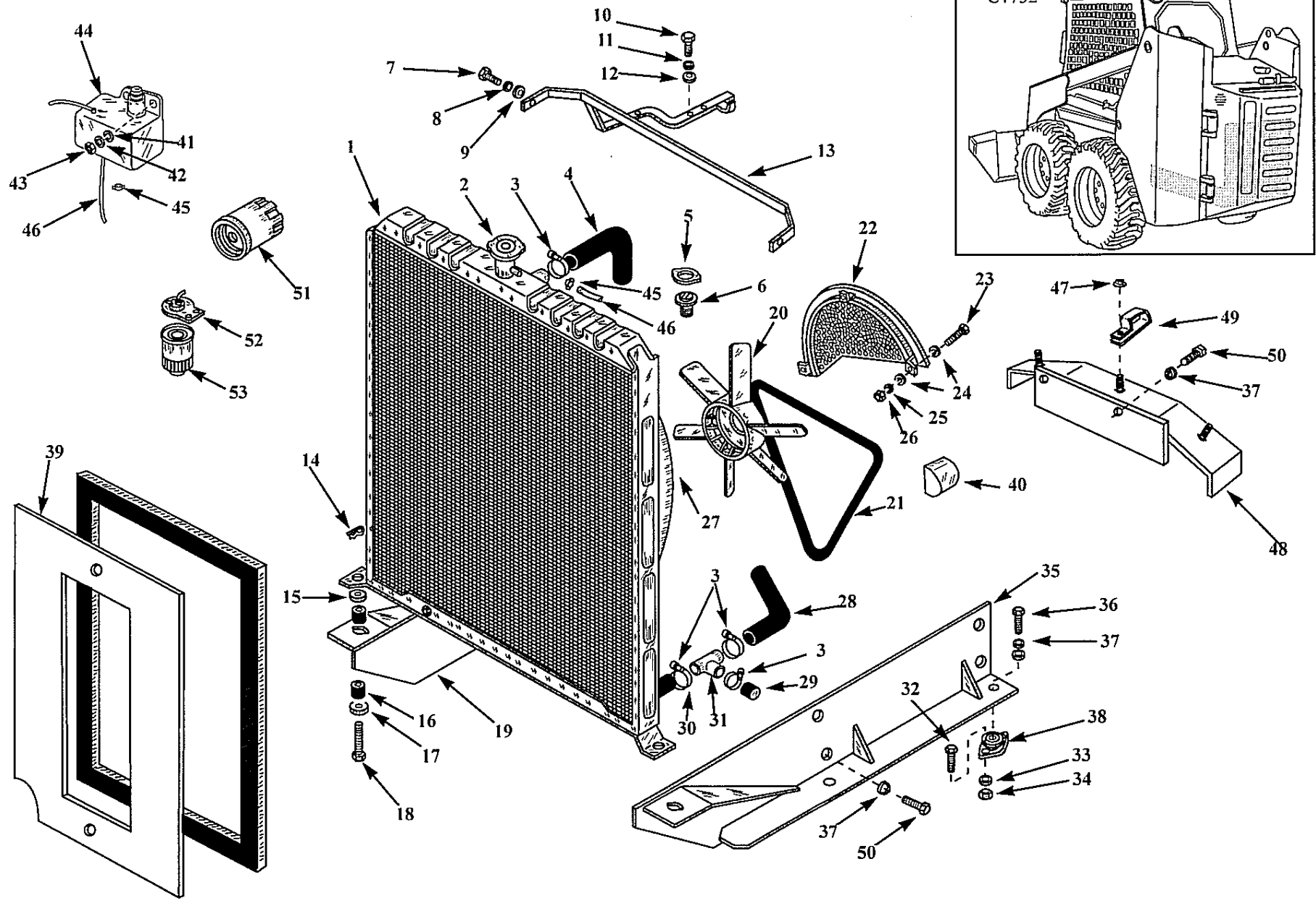




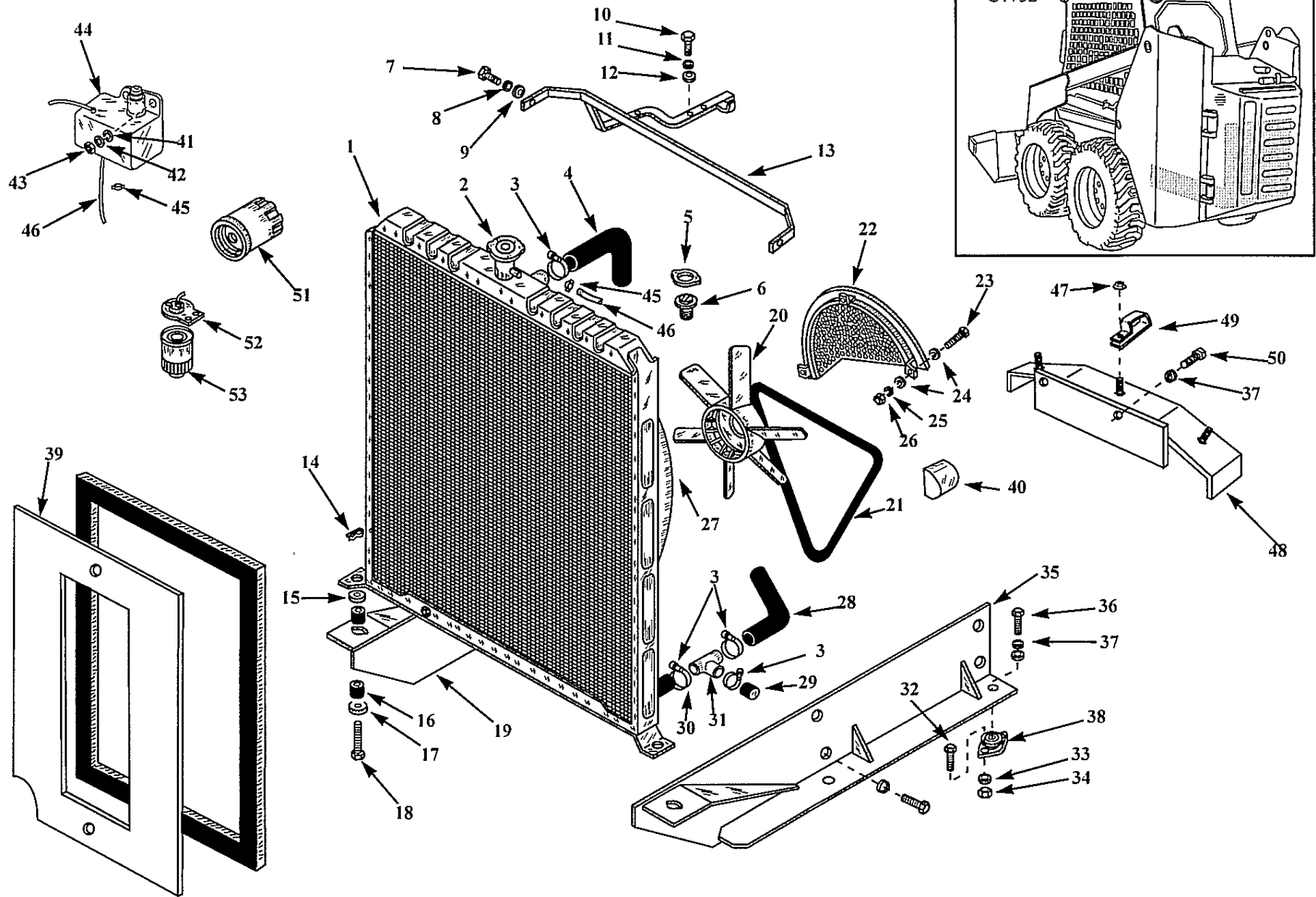
Pos NO.	Part No.	Qty	Description
1	<b>043469</b>	1	Muffler assy.
2	044736	1	Pipe,Exhaust
3	21554	7	Bolt
4	21029	7	Washer
5	39736	1	Gasket
6	43647	1	Gasket
7	22968	1	Bolt
8	21208	1	Washer
9	43709	1	Mounting Bracket



Pos NO.	Part No.	Qty	Description
1	954896	1	U-Joint Complete
2	15052	2	Journal and Bearing Kit
3	15140	1	Double Pivot Yoke
4	21559	6	Bolt
5	21029	6	Washer, Spring
6	15141	1	End Yoke, Splined



Pos NO.	Part No.	Qty	Description
1	39727	1	Radiator Assy (T135S)
1	36021	1	Radiator Assy (T153S) (LN000101 onward)
2	19572	1	Radiator Cap
3	18478	6	Clamp, Top Radiator Hose
4	22204	1	Top Radiator Hose
5	19586	1	Gasket, Thermostat
6	33149	1	Thermostat Assy
7	23771	2	Bolt
8	21320	2	Washer, Lock
9	1650	2	Washer, Flat
10	24780	2	Bolt
11	21028	2	Washer, Lock
12	1643	2	Washer, Flat
13	962176	1	Brace, Top Radiator Assy (up to LE008799)
13	962502	1	Brace, Top Radiator Assy (LE008800 onward) (LN000101 onward)
14	18481	2	Pin
15	18469	4	Washer, Cushion
16	18468	2	Cushion
17	18467	2	Cushion
18	19574	2	Bolt
19	960774	1	Mount, LH Engine Assy
20	39730	1	Fan, Pusher
20	23107	1	Fan, Puller
21	35568	1	V-Belt
21	33385	1	V-Belt (CE OPTION)
*	33146	1	Pulley (CE OPTION)
22	39728	1	Fan Guard
23	5170	2	Bolt
24	1650	4	Washer, Flat
25	2279	2	Washer, Lock
26	1350	2	Nut
27	35765	1	Fan Shroud
28	35773	1	Hose, Bottom
29	19538	1	Cap
30	35774	1	Hose
31	35772	1	Tee, Hose
32	1190	8	Bolt
33	1651	8	Washer, Flat
34	1870	8	Nut

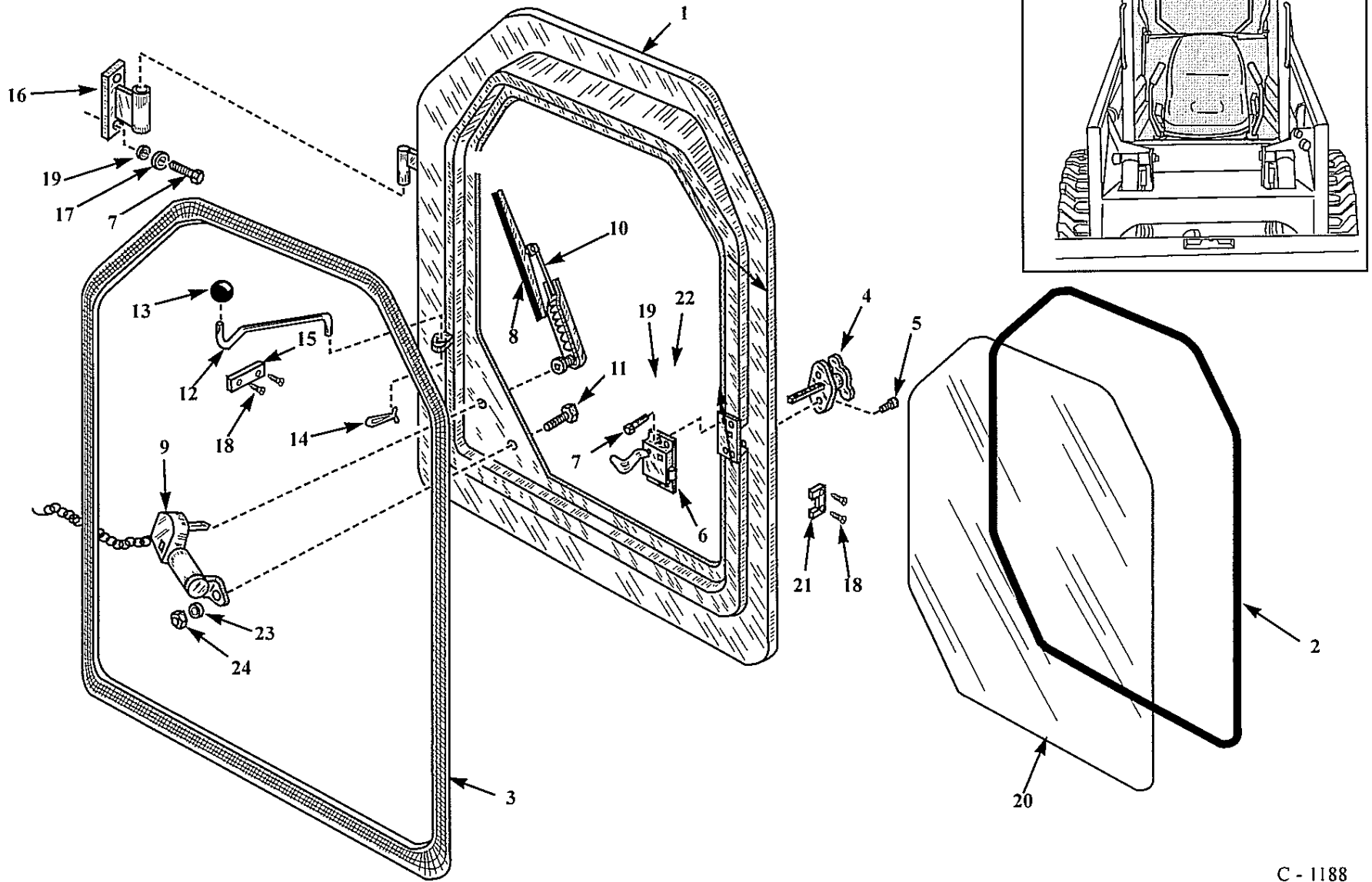


Pos NO.	Part No.	Qty	Description
35	960775	1	Mount, RH Engine Assy
36	26859	4	Bolt
37	21558	10	Washer, Lock
38	38558	4	Isolator, Engine
39	42949	1	Rad Baffle (T135S)
39	44549	7'	Baffle (T153S)
39	46160	7'	Baffle (T153S, SN LN000500 onward)
*	580		Foam
*	26665		Foam
*	16666		Foam
40	42940	1	Cover, Belt, Alternator
41	1650	2	Washer, Flat
42	1870	2	Washer, Lock
43	1191	2	Nut
44	42737	1	Overflow Tank
45	34919	2	Clamp
46	261	1	Tubing
47	43558	3	Nut
48	962371	1	Flywheel Shield
49	41024	3	Cable Clamp
50	21557	2	Bolt
51	33023	1	Filter, Oil
52	42560	1	Filter Assy
53	42561	1	Fuel Filter

**OPTIONAL EQUIPMENT 8.**

Cab Door.....	8. 1
Wheel Equipment.....	8. 2





Pos NO.	Part No.	Qty	Description
1.	960135	1	Door Frame
2.	15750	8'	Weatherstripping
3.	821	9'	Bulb Seal
4.	953780	1	Handle, Cab Locking
5.	15885	2	Stove bolt w/ Nut
6.	32629	1	Latch, Cab Door LH
7.	5170	6	Bolt, Hex Head
8.	37597	1	Blade, Wiper
9.	37275	1	Motor, Wiper
10.	37596	1	Arm, Wiper
11.	2663	1	Bolt, Hex
12.	960154	1	Slider, Bar Assy
13.	25298	1	Ball, Red
14.	1546	1	Cotter Pin
15.	37169	1	Strike Plate
16.	960139	2	Cab Door Hinge
17.	2279	4	Lock Washer
18.	31744	6	Self Tapping Bolts
19.	1650	2	Flat Washer
20.	37164	1	Glass, Cab Door
21.	32600	1	Plate, Latch Block
22.	6645	2	Nut, Nylock
23.	2279	1	Washer, Lock
24.	1350	1	Nut

## Wheel Equipment

Pos NO.	Part No.	Qty	Description	8. 2
*	5832	24	Nut, Wheel	
*	26188	24	Stud, Wheel	
*	7019	4	Valve Stem	
7.00 X 15.00				
*	42834	2	Tire and Wheel Assy (RH)	
*	42835	2	Tire and Wheel Assy (LH)	
*	42826	4	Tire	
*	22953	4	Rim (5 X 15)	
10.00 X 16.5				
*	42836	2	Tire and Wheel Assy (RH)	
*	42837	2	Tire and Wheel Assy (LH)	
*	42827	4	Tire, 10.00 X 16.5 Standard Flotation type	
*	25116	4	Rim	
7.00 X 15.00 Solid Rubber				
*	961270	4	Wheel and Tire Assy	
*	24998	4	Tire	
*	961264	4	Rim (5.50 X 15)	
10.00 X 16.5				
*	44016	2	Tire and Wheel Assy (LH)	
*	44017	2	Tire and Wheel Assy (RH)	
*	44025	4	Tire, 10.00 X 16.5 HD2000 Type	
*	25116	4	Rim (8.25 X 16.5)	
10.00 X 16.5				
*	962580	2	Tire and Wheel Assy (LH)	
*	962581	2	Tire and Wheel Assy (RH)	
*	44027	4	Tire, 10.00 X 16.5 Beefy Baby Type	
*	25116	4	Rim (8.25 X 16.5)	

**CE Kit****8.3**

<u>U-2401 KIT, CE</u>	<u>QTY</u>
U-2265 Horn Kit	1
U-1830 Fuel Locking	1
U-1790 Decals, Noise Output 'CE'	1
U-1974 Padlock, Long Reach	1
U-0851 Top Window	1
U-2179 Insulation Std Complete	1
Light, Cab Int. & Ext. Trouble	1
Form, Declaration of Conformanc	1
Tag, Machinery No	1
Tag, Serial Number	1

PART NO.	SECTION	PART NO.	SECTION	PART NO.	SECTION	PART NO.	SECTION
261	1.1	1643	1.2	1677	2.2	3665	3.2
407	1.1	1643	1.3	1677	2.4	3667	3.2
579	1.3	1643	1.5	1678	1.2	46116	4.4
617	1.6	1643	2.1	1680	1.4	46118	4.4
698	4.1	1643	2.2	1773	1.1	46165	4.4
820	1.6	1643	2.3	1803	4.4	4842	1.2
821	8.1	1643	2.4	1870	1.1	4842	2.7
1190	1.3	1643	2.7	1870	1.3	5170	1.3
1190	1.9	1643	2.8	1870	1.5	5170	8.1
1190	7.1	1643	7.1	1870	1.9	5406	2.1
1191	1.1	1650	1.1	1870	2.6	5406	2.2
1191	1.5	1650	1.3	1870	2.7	5406	2.3
1191	2.6	1650	2.8	1870	2.9	5406	2.4
1191	2.7	1650	8.1	1870	3.1	5832	3.2
1191	3.1	1651	1.2	1870	4.1	5832	8.2
1191	4.1	1651	1.3	1870	7.1	5896	2.1
1191	7.1	1651	1.9	1870	4.4	5896	2.2
1191	4.4	1651	2.6	2003	2.1	5968	3.2
1193	1.5	1651	2.7	2003	2.2	6081	2.6
1193	3.3	1651	3.1	2003	2.3	6081	7.1
1194	2.1	1651	4.1	2003	2.4	6086	1.9
1194	2.2	1651	4.7	2011	1.4	6268	7.1
1194	2.3	1651	7.1	21128	4.4	6522	6.2
1194	2.7	1651	4.4	2279	1.3	6608	4.4
1248	1.8	1668	2.1	2279	2.1	6645	8.1
1350	1.3	1668	2.2	2279	2.2	7019	8.2
1350	1.9	1668	2.3	2279	8.1	7124	4.4
1350	8.1	1668	2.4	2279	8.1	7416	2.8
1387	2.7	1671	2.3	2663	2.8	7465	1.2
1546	8.1	1671	2.8	2663	8.1	7465	1.5
1630	2.6	1672	2.1	2811	2.9	7465	2.1
1630	2.7	1672	2.2	2823	1.2	7465	2.2
1634	3.2	1672	2.3	2835	1.2	7465	2.3
1642	2.1	1672	2.4	2898	1.8	7465	2.4
1642	2.2	1673	2.1	3189	1.2	7465	2.8
1642	2.3	1673	2.2	3189	2.1	7465	1.9
1642	2.4	1675	1.9	3189	2.2	7667	4.4
1642	2.7	1676	1.9	3189	2.3	8613	1.1
1642	3.3	1677	1.4	3189	2.4	8613	2.9
1642	5.3	1677	2.1	3321	1.4	8613	1.9

PART NO.	SECTION	PART NO.	SECTION	PART NO.	SECTION	PART NO.	SECTION
8897	1.4	17432	2.2	21907	2.2	25530	1.9
12117	7.1	17432	2.6	21907	2.3	25532	1.9
14620	1.9	17432	2.7	21907	2.4	25589	2.6
14797	1.1	17516	2.6	22204	1.3	25589	2.7
14866	4.7	17516	2.7	22302	3.3	26172	2.9
14866	5.1	18318	1.1	22379	3.2	26188	3.2
14866	5.2	18467	1.3	22381	4.1	26188	8.2
14867	5.1	18468	1.3	22448	3.2	26479	1.9
14867	5.1	18469	1.3	22462	3.1	26737	1.1
14877	3.2	18478	1.3	22467	3.3	26859	1.3
15052	7.3	18481	1.3	22653	1.4	28982	2.8
15140	7.3	19232	5.1	22950	3.3	29478	4.4
15141	7.3	19235	4.1	22960	3.3	29929	4.9
15628	4.4	19240	5.2	22968	7.2	29930	4.9
15750	1.8	19538	1.3	23096	2.8	29971	6.1
15750	8.1	19572	1.3	23194	1.1	29988	4.8
15880	2.1	19574	1.3	23194	2.9	29989	4.8
15880	2.2	19586	1.3	23256	3.3	30044	2.6
15880	2.3	19605	6.1	23258	3.3	30044	2.7
15880	2.4	19813	3.3	23355	4.3	30266	5.2
15885	8.1	19949	1.1	23356	4.3	30266	4.4
15931	1.8	20182	4.2	23371	2.8	30323	4.4
16771	1.2	20182	4.3	23385	1.1	30501	2.1
16771	1.4	20182	4.4	23385	1.4	30501	2.2
16771	2.1	20235	1.8	23530	4.8	30501	2.3
16771	2.2	20860	1.2	23530	4.9	30501	2.4
16771	2.3	20860	1.4	23706	3.3	31032	4.9
16771	2.4	20860	1.8	23707	3.3	31033	4.9
16771	2.6	20861	1.8	23771	1.3	31058	3.2
16771	4.3	21028	1.3	23772	2.8	31488	1.2
16771	4.7	21028	7.1	23861	1.1	31489	1.2
16771	1.9	21029	7.2	23864	4.7	31654	2.8
16771	1.9	21029	7.3	24214	1.1	31744	1.8
16771	1.9	21208	7.2	24264	1.1	31744	8.1
16989	1.2	21320	1.3	24780	1.3	32478	4.1
17421	2.1	21554	7.2	24942	3.3	32600	8.1
17421	2.2	21558	1.3	25011	4.7	32614	1.9
17421	2.3	21559	7.3	25091	1.9	32615	1.9
17421	2.4	21701	4.1	25298	8.1	32629	8.1
17432	2.1	21907	2.1	25445	1.8	32920	1.1

PART NO.	SECTION	PART NO.	SECTION	PART NO.	SECTION	PART NO.	SECTION
33112	1.1	38386	4.7	39727	1.3	41189	2.6
33146	1.3	38389	5.1	39728	1.3	41189	2.7
33149	1.3	38409	2.5	39730	1.3	41198	4.8
33385	1.3	38410	2.5	39736	7.2	41199	4.8
33547	3.3	38411	2.5	39837	2.1	41200	4.8
33629	7.1	38412	2.5	39837	2.2	41202	4.8
33850	5.2	38413	2.5	39837	2.3	41206	4.9
34903	4.1	38414	2.5	39840	6.2	41207	4.9
34919	4.1	38472	4.3	39904	1.5	41208	4.9
35243	4.7	38472	1.9	39972	6.1	41209	4.9
35388	4.4	38516	1.5	39974	1.4	41290	1.4
35426	1.2	38516	6.2	39980	4.2	41291	1.4
35449	1.9	38517	2.8	39980	4.8	41391	1.4
35449	4.8	38558	1.3	39982	4.3	41392	1.4
35449	4.9	38560	1.8	39982	4.9	41427	6.1
35451	4.8	38562	4.2	40462	1.6	41607	6.1
35568	1.3	38562	4.3	40477	1.6	41626	1.1
35763	2.1	38562	4.4	40495	1.6	41626	6.2
35763	2.2	38577	6.1	40498	1.6	41704	1.6
35765	1.3	38585	4.7	40499	1.6	41797	1.5
35772	1.3	38600	1.5	40533	2.9	41889	6.1
35773	1.3	38652	4.1	40543	1.7	42065	6.1
35774	1.3	38761	6.1	40548	1.7	42070	1.5
35883	2.1	38794	6.1	40581	1.5	42207	2.1
35883	2.2	38796	1.9	40614	1.4	42207	2.2
35884	2.6	38870	6.2	40778	1.3	42207	2.3
35884	2.7	38871	6.2	40778	1.9	42207	2.4
36713	5.1	38872	6.2	40787	1.6	42208	2.1
36733	4.1	39025	1.8	40918	6.1	42208	2.2
36778	1.9	39041	4.2	40921	1.1	42208	2.3
37164	8.1	39042	4.3	40922	1.1	42208	2.4
37169	8.1	39042	4.4	40960	2.5	42211	2.1
37206	4.1	39121	6.2	40960	6.2	42211	2.2
37206	6.2	39122	6.2	40997	1.9	42211	2.3
37275	8.1	39123	6.1	40998	1.9	42211	2.4
37596	8.1	39124	6.1	40999	1.9	42229	1.6
37597	8.1	39126	1.6	41024	7.1	42229	2.1
37819	4.2	39126	6.1	41117	1.4	42229	2.2
38302	4.3	39540	6.2	41117	1.9	42229	2.3
38302	1.9	39546	1.9	41178	3.1	42229	2.4
38357	2.5	39564	1.7	41187	3.1	42243	2.1

PART NO.	SECTION	PART NO.	SECTION	PART NO.	SECTION	PART NO.	SECTION
42243	2.2	42940	1.3	43199	4.3	43470	5.3
42243	2.6	42941	2.6	43199	4.4	43489	5.3
42243	2.7	42949	1.3	43199	4.6	43493	5.3
42350	1.4	42950	2.9	43199	6.2	43528	5.5
42371	3.3	42950	6.2	43240	1.7	43529	5.5
42417	7.1	42951	6.2	43241	1.7	43530	5.5
42418	7.1	42952	6.2	43242	1.7	43549	1.6
42419	7.1	42975	6.2	43243	1.7	43556	7.1
42420	7.1	43004	2.9	43244	1.7	43629	1.2
42421	7.1	43005	2.9	43245	1.7	43647	7.2
42487	5.1	43012	1.10.	43246	1.7	43650	5.3
42487	5.2	43064	5.1	43247	1.7	43651	5.3
42487	5.4	43065	5.1	43248	1.7	43652	5.3
42541	7.1	43065	5.2	43249	1.7	43653	5.3
42546	3.3	43081	6.2	43250	1.7	43655	1.7
42556	4.7	43082	6.2	43252	1.7	43656	1.7
42557	4.7	43127	1.1	43253	1.7	43657	1.7
42560	1.1	43128	1.1	43269	6.2	43665	5.3
42561	1.1	43130	1.1	43323	6.2	43721	4.5
42572	1.1	43136	2.1	43338	5.4	43721	4.6
42574	1.1	43136	2.2	43341	5.4	43722	4.5
42613	1.5	43136	2.6	43342	5.4	43722	4.6
42613	1.6	43136	2.7	43374	2.2	43723	4.6
42615	1.6	43146	5.1	43374	2.4	43724	4.5
42617	1.7	43147	5.1	43375	2.1	43724	4.6
42618	1.7	43164	5.3	43375	2.3	43725	4.5
42736	5.1	43166	5.3	43382	2.1	43728	4.5
42736	5.5	43167	5.3	43382	2.2	43728	4.6
42736	6.2	43168	5.3	43382	2.3	43729	4.5
42737	1.1	43169	5.3	43382	2.4	43729	4.6
42825	8.2	43188	5.1	43384	2.1	43730	4.5
42883	8.2	43190	5.1	43384	2.2	43730	4.6
42884	8.2	43192	4.1	43384	2.3	43731	4.5
42885	8.2	43197	4.2	43384	2.4	43731	4.6
42886	8.2	43197	4.3	43385	2.1	43805	5.4
42887	8.2	43197	4.4	43385	2.2	43811	4.5
42888	8.2	43197	4.5	43385	2.3	43812	4.6
42889	8.2	43197	6.2	43385	2.4	43813	5.4
42919	5.1	43198	4.2	43388	3.3	43814	4.6
42919	5.2	43198	4.5	43389	7.1	43834	1.3,1.9
42919	5.3	43198	4.6	43469	7.2	43906	5.3



PART NO.	SECTION	PART NO.	SECTION	PART NO.	SECTION	PART NO.	SECTION
43972	5.3	960994	1.4	962119	4.4		
44342	4.4	960997	3.2	962137	2.9		
44721	7.2	961003	2.7	962160	1.8		
46119	4.6	961245	4.3	962176	1.3		
46227	1.2	961249	1.4	962192	2.1		
46016	5.3	961252	1.4	962192	2.2		
953780	8.1	961253	1.4	962192	2.3		
954621	3.3	961253	1.9	962192	2.4		
954622	3.3	961289	2.2	962200	2.8		
954623	3.3	961290	2.1	962211	1.9		
954896	7.3	961303	2.1	962216	3.3		
955280	3.2	961303	2.2	962224	2.1		
955281	3.2	961303	2.3	962224	2.2		
955283	3.2	961303	2.4	962224	2.3		
958730	3.2	961399	2.6	962224	2.4		
959272	1.2	961399	2.7	962225	2.4		
960135	8.1	961399	3.1	962226	2.3		
960139	8.1	961693	6.2	962227	2.1		
960154	8.1	962038	6.2	962227	2.2		
960437	3.2	962054	1.8	962306	7.2		
960571	2.8	962080	4.4	962308	1.1		
960680	1.5	962088	1.9	962315	7.1		
960680	6.2	962099	4.1	962338	1.1		
960681	1.5	962106	4.1	962338	4.1		
960774	1.3	962106	5.2	962341	1.6		
960775	1.3	962108	4.7	962345	5.3		
960805	2.6	962109	4.7	962364	5.1		
960806	2.6	962110	4.7	962366	4.3		
960806	2.7	962110	5.1	962367	4.3		
960807	2.6	962111	4.1	962399	4.3		
960932	1.6	962111	5.1	962399	4.4		
960934	1.6	962112	5.1	962401	1.1		
960935	1.6	962113	5.1	963293	4.4		
960937	2.6	962113	5.2	963337	4.7b, 4.7d		
960937	2.7	962114	5.1	963338	4.7d		
960937	3.1	962115	4.1	963339	4.7b		
960945	4.2	962115	5.1				
960946	4.2	962116	5.1				
960948	4.3	962116	5.2				
960948	4.4	962117	5.1				
960993	1.4	962118	5.1				